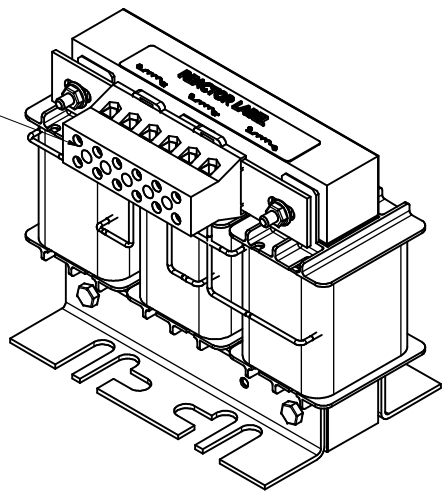
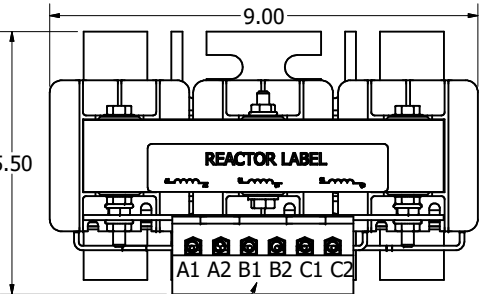


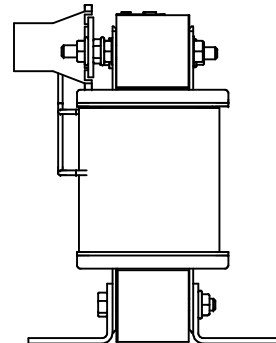
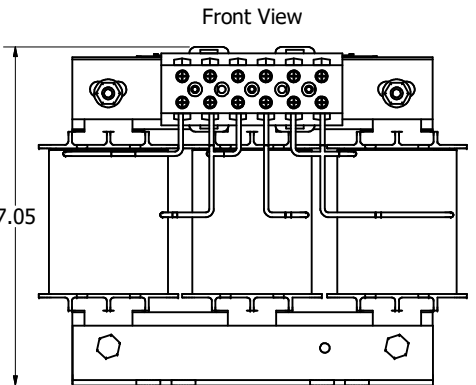
208/240 Rated Voltage, 600 Max Voltage, High Z, Impedance.						
Part Number	Horsepower (HP)	Motor Amps (A)	Maximum Amps (A)	Inductance (uH)	Losses (W)	Weight (LBS)
KDRF28H	25	74.8	75	226	151	30



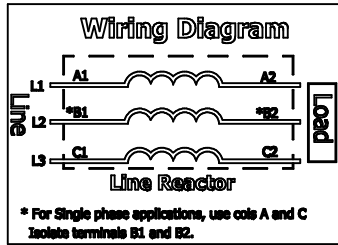
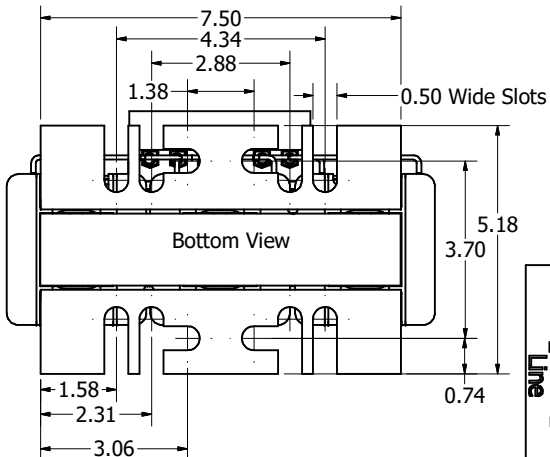
Wire Range: 1- 4 AWG. Torque : 35 IN-LBS (3.95 Nm)  
 6- 14 AWG. Torque : 30 IN-LBS (3.39 Nm)  
 16- 20 AWG. Torque : 25 IN-LBS (2.28 Nm)  
 22 AWG. Torque : 20 IN-LBS (2.26 Nm)



(Customer Connections) Markings On Terminal Block For Reference Only.



Side View



\* For Single phase applications, use coils A and C Isolate terminals B1 and B2.

**TOL** (800) 824-8282 [transcoll.com](http://transcoll.com)

TOL, LLC  
 Greensboro, NC, USA  
[Transcoll.com](http://Transcoll.com)  
 800-824-8282

KDR® Drive Reactor  
 KDR- Motor Amps ---  
 3PH, 20/240V, ---V Rated, 600V Max, -A Max, RoHS  
 -60C Amb Temp, 150C Rise  
 Manual #30895

UL LISTED CE

DATE CODE: A1 A2 B1 B2 C1 C2

Notes:

1. UL file number: cULus Listed File E116124.
2. KDR Drive Reactors Comply With The Thermal and Altitude Standards Set Forth by NEMA ST20-1992.
3. KDR IOM Manual Part Number 30895
4. NEC Current For 208/240 Volts, Horsepower Based On 208 Volts.
5. Material(s) Shall be RoHS Compliant
6. Customer Is Responsible For Installation To Meet All National And Local Electrical Codes.

THE INFORMATION AND DESIGNS CONTAINED IN THIS DRAWING ARE CONFIDENTIAL AND THE PROPRIETARY PROPERTY OF ALLIED MOTION TECHNOLOGIES INC. AND ITS SUBSIDIARIES. NEITHER THIS DESIGN NOR ANY INFORMATION CONTAINED IN THIS DRAWING MAY BE REPRODUCED OR DISCLOSED TO OTHERS WITHOUT THE EXPRESS WRITTEN CONSENT OF ALLIED MOTION TECHNOLOGIES INC. AND ITS SUBSIDIARIES.				TOLERANCES (EXCEPT AS NOTED)	
				DECIMAL	
				.XX ± .25	
				.XXX ± .10	
				FRACTIONAL	
				± 1/32	
				ANGULAR	
				± 1°	
A	6688, Drawing 107515-1 to 107515-3	6/6/2024	DSW		
NO	REVISION	DATE	BY		