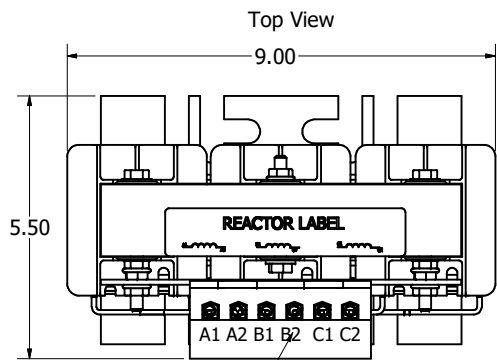
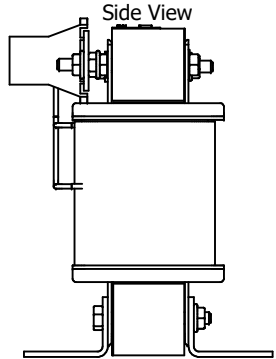
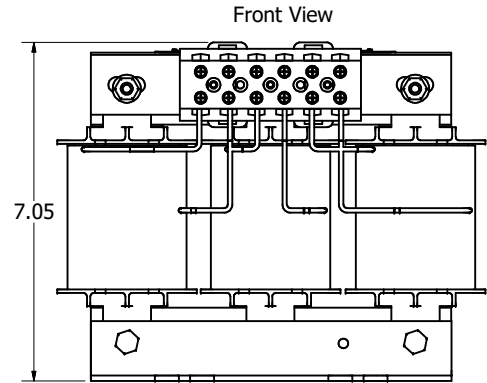
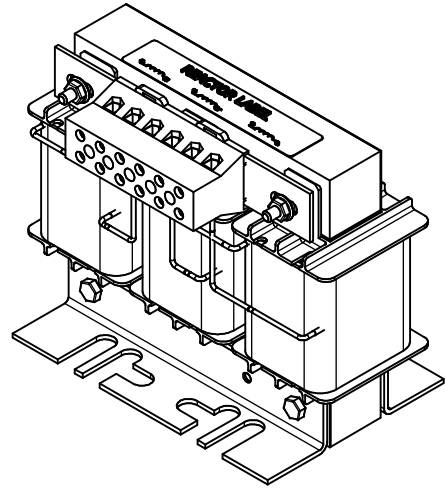


480 Rated Voltage, 600 Max Voltage, Output						
Part Number	Horsepower (HP)	Motor Amps (A)	Maximum Amps (A)	Inductance (uH)	Losses (W)	Weight (LBS)
KDRF1P	50	65	80	143	105	25
KDRF2P	60	77	80	143	105	25



Wire Range: 1- 4 AWG. Torque : 35 IN-LBS (3.95 Nm)
 6- 14 AWG. Torque : 30 IN-LBS (3.39 Nm)
 16- 20 AWG. Torque : 25 IN-LBS (2.28 Nm)
 22 AWG. Torque : 20 IN-LBS (2.26 Nm)

(Customer Connections)
 Markings On Terminal
 Block
 For Reference Only.

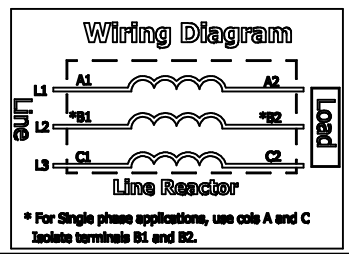
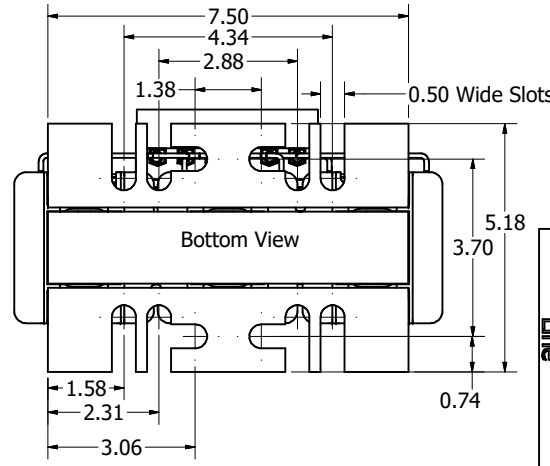


TCS (800) 824-6282 tranecoll.com
 TCS, LLC
 Channahon, IL, USA
tranecoll.com
 815-404-6282

ICRUL Drive Reactor
 ICR- Motor Amps —
 3P4, 3P4/4W4, —V Rated, 600V Max, —A Max, RoHS
 480 Amp Max, 1200 Hz
 Manual #30895

UL 1004 Listed CE

DATE CODE A1 A2 B1 B2 C1 C2



Notes:

1. UL file number: cULus Listed File E116124.
2. KDR Drive Reactors Comply With The Thermal and Altitude Standards Set Forth by NEMA ST20-1992.
3. KDR IOM Manual Part Number 30895
4. NEC Current For 208/240 Volts, Horsepower Based On 208 Volts.
5. Material(s) Shall be RoHS Compliant
6. Customer Is Responsible For Installation To Meet All National And Local Electrical Codes.

THE INFORMATION AND DESIGNS CONTAINED IN THIS DRAWING ARE CONFIDENTIAL AND THE PROPRIETARY PROPERTY OF ALLIED MOTION TECHNOLOGIES INC. AND ITS SUBSIDIARIES. NEITHER THIS DESIGN NOR ANY INFORMATION CONTAINED IN THIS DRAWING MAY BE REPRODUCED OR DISCLOSED TO OTHERS WITHOUT THE EXPRESS WRITTEN CONSENT OF ALLIED MOTION TECHNOLOGIES INC. AND ITS SUBSIDIARIES.				TOLERANCES (EXCEPT AS NOTED)	
				DECIMAL	
				.XX ± .25	
				.XXX ± .10	
				FRACTIONAL	
				± 1/32	
				ANGULAR	
				± 1°	
A	6688, Drawing 107515-1 to 107515-2	6/6/2024	DSW		
NO	REVISION	DATE	BY		