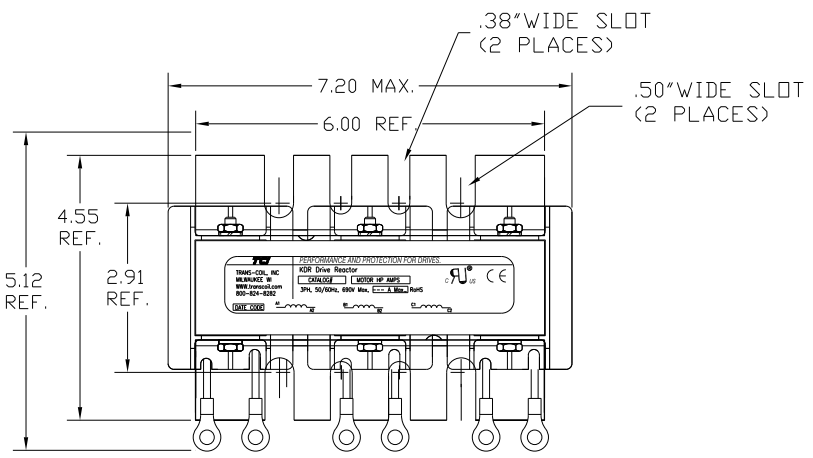


VOLTAGE	NEC MOTOR HP	CATALOG NO	NEC MOTOR CURRENT	AMPS MAX	APPROX WT-LBS	WATTS LOSS	RING LUG HOLE SIZE
690V							
HIGH-Z	30	KDRE42HV	32.0	32.0	16	140	.25



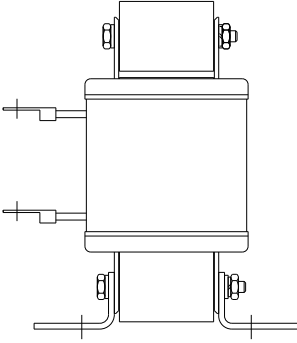
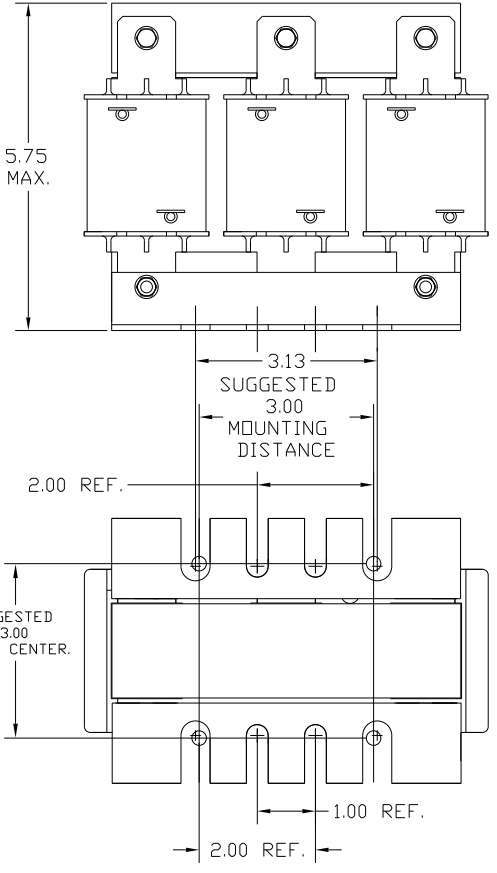
TCI PERFORMANCE AND PROTECTION FOR DRIVES.

TRANS-COIL, INC. MILWAUKEE WI 800-824-8282
 WWW.transcoil.com

KDR Drive Reactor
 CATALOG# MOTOR HP AMPS
 3PH, 50/60Hz, 690V Max, --- A Max. RoHS

DATE CODE A1 B1 C1

UL[®] US CE



NO	REVISION	DATE	BY	TOLERANCES (EXCEPT AS NOTED)
				DECIMAL
				.XX ± .03
				.XXX ± .01
				FRACTIONAL
				± 1/32
				ANGULAR
				± 1/2°