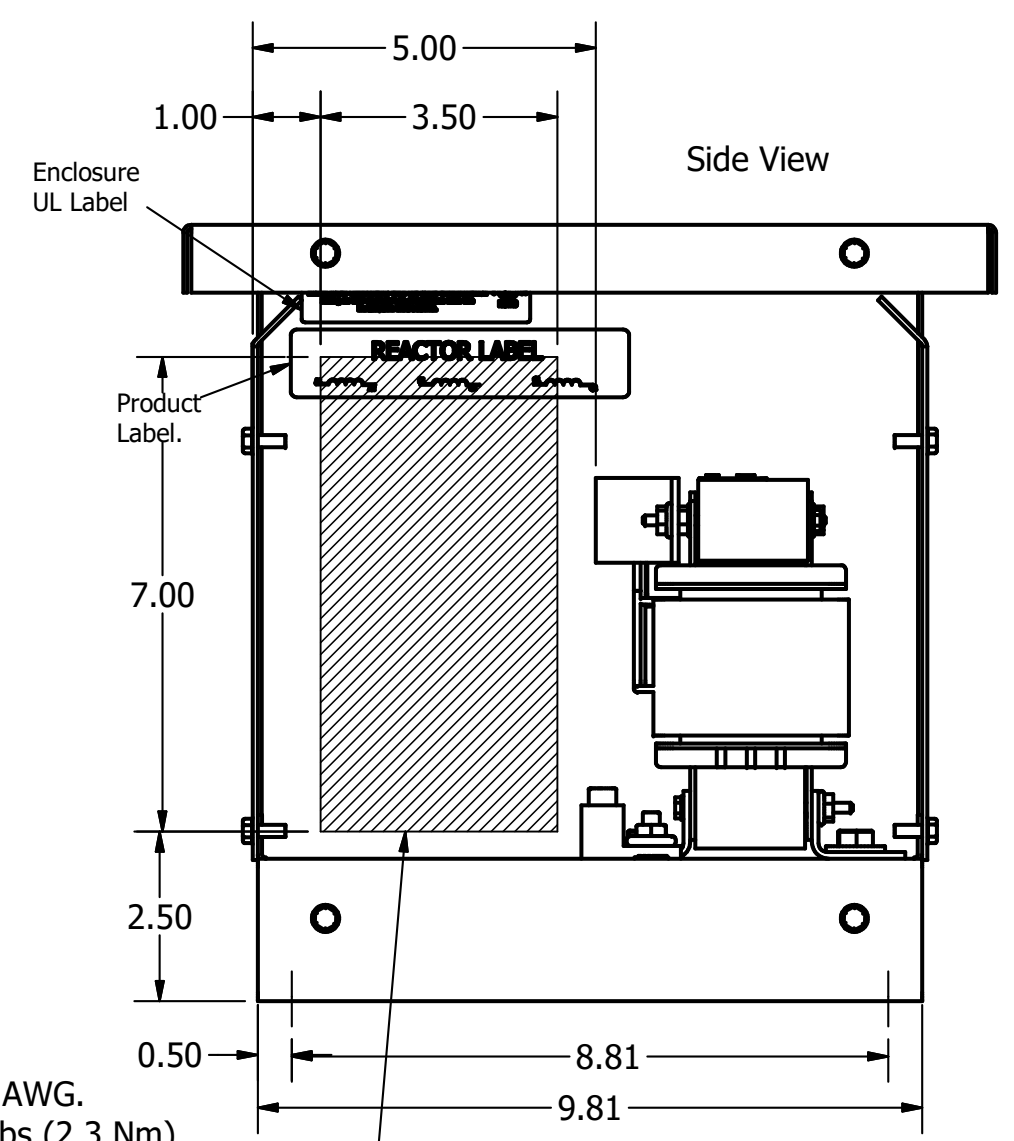
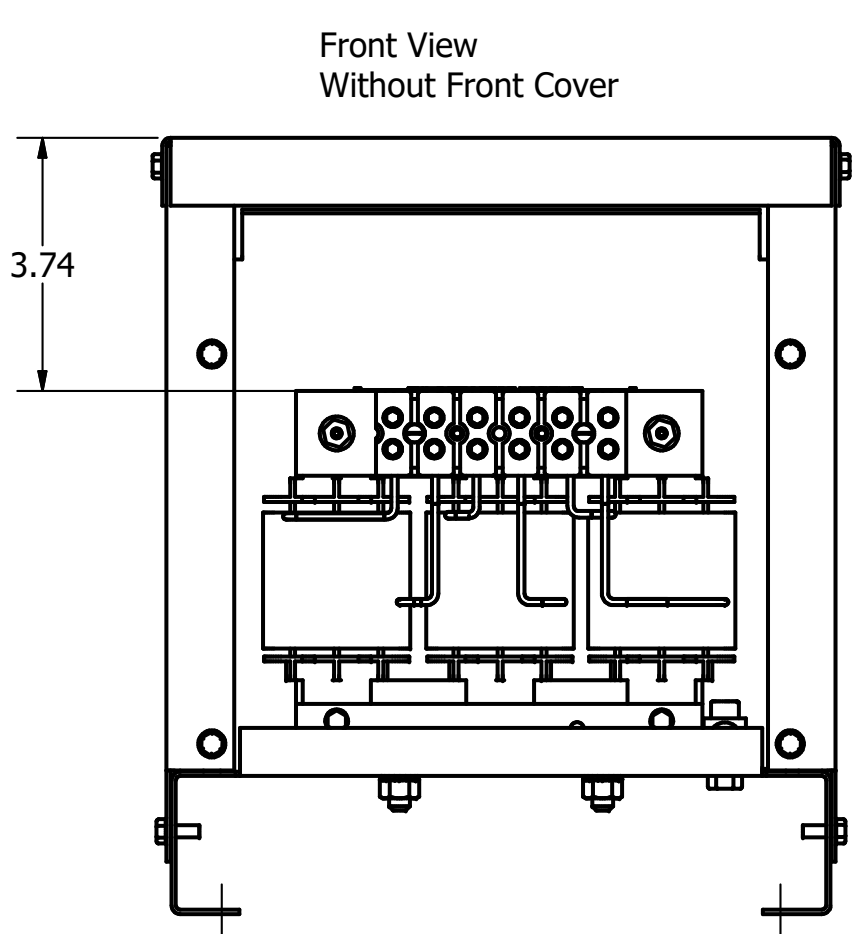
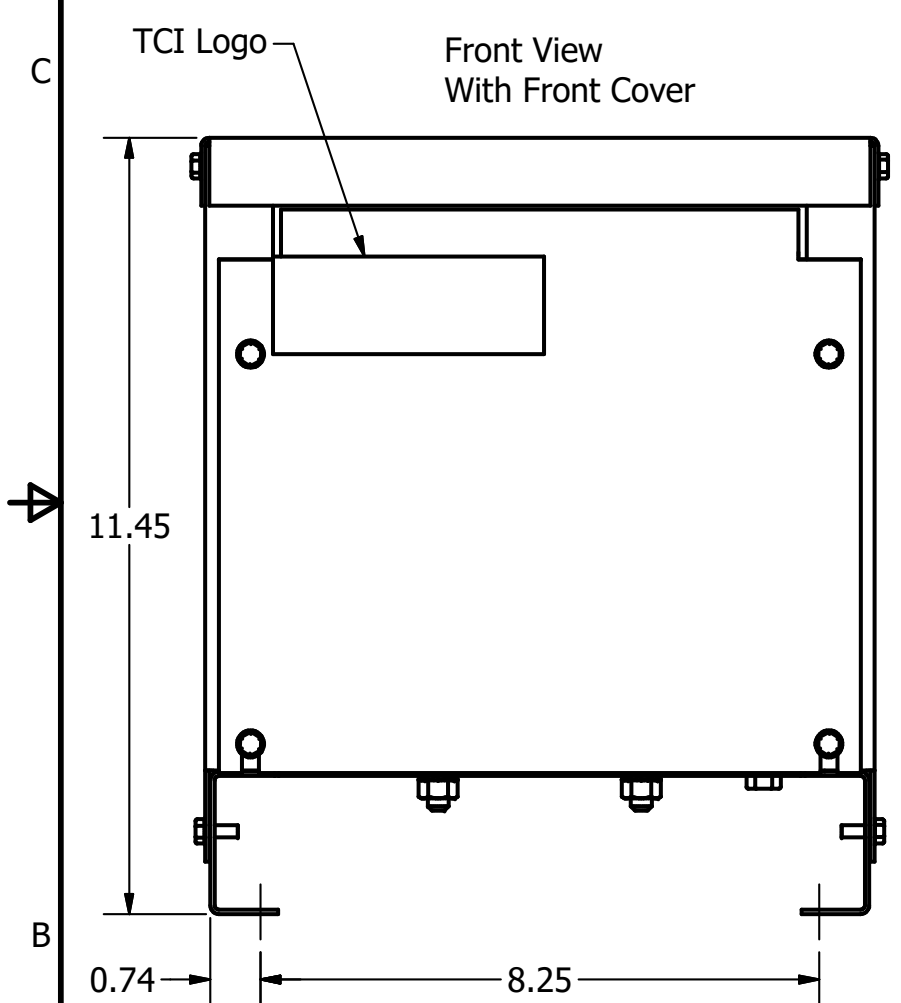


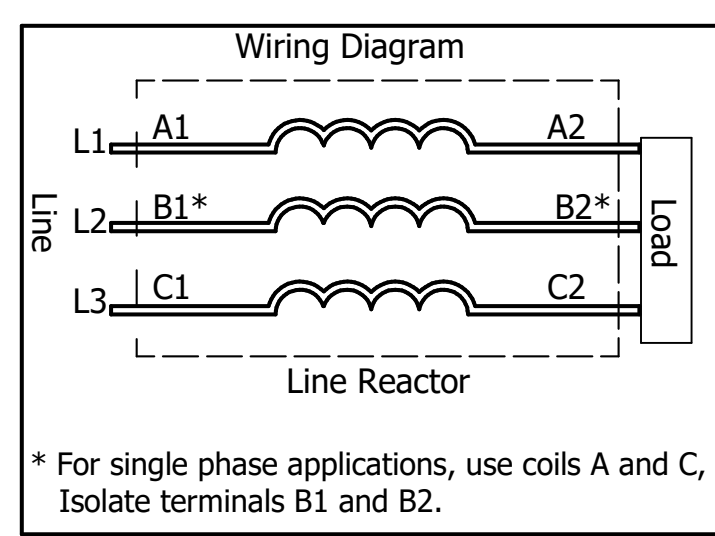
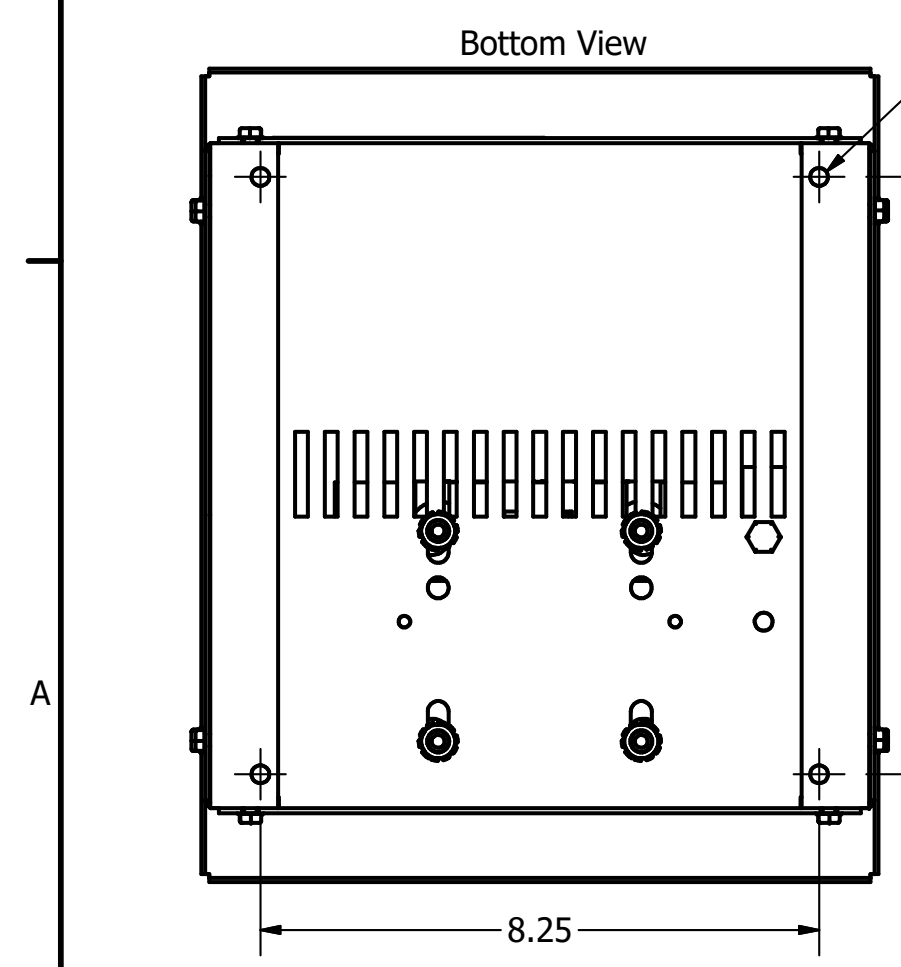
Ground Lug.
See IOM Manual, Part# 30895
Table S2/0, Wire Size And Torque.

Suggested
Customer Wire Entrance
Bottom Of Enclosure.
See Note: 5
(Non Removeable Panel)

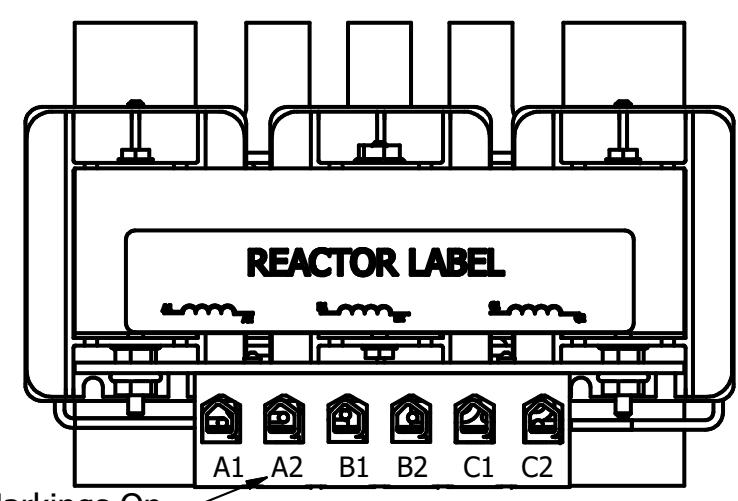


Wire Range: 4 - 18 AWG.
Torque : 20 In-lbs (2.3 Nm)

Suggested
Customer Entrance
Either Side Of Enclosure.
See Note: 5
(Non Removeable Panel)



Markings On
Terminal Block For
Reference Only.



480 Rated Voltage, 600 Max Voltage, High Z, Impedance.						
Part Number	Horsepower (HP)	Motor Amps (A)	Maximum Amps (A)	Inductance (uH)	Weight (LBS)	Losses (W)
KDRE2HE3R	30	40	45	850	31	141

575 Rated Voltage, 600 Max Voltage, High Z, Impedance.						
Part Number	Horsepower (HP)	Motor Amps (A)	Maximum Amps (A)	Inductance (uH)	Weight (LBS)	Losses (W)
KDRE42HE3R	30	32	32	1430	31	140

TCI (800) 824-8282 transcoil.com

TCI, LLC
Greenwood, WI, USA
transcoil.com
800-824-8282

KDRUL Drive Reactor
KDR- Motor Amps —
3PH, 50/60Hz, —V Rated, 600V Max, —A Max, RoHS
40C Amb Max, 135C Rise
Manual 30895

UL LISTED
CE

- Notes:
1. UL file number: cULus Listed File E116124.
 2. KDR Drive Reactors Comply With The Thermal and Altitude Standards Set Forth by NEMA ST20-1992.
 3. KDR IOM Manual Part Number 30895
 4. Material(s) Shall be RoHS Compliant
 5. Customer Is Responsible For Installation To Meet All National And Local Electrical Codes.

TOLERANCES (EXCEPT AS NOTED)			
DECIMAL			
			XX ± .25
			.XXX ± .10
FRACTIONAL			
			± 1/16
ANGULAR			
			± 1°
B	4686, TB, Screws Change to 1/8 Hex	5/16/19	DSW
A	As Designed	4/23/18	DSW
NO	REVISION	DATE	BY

TCI, LLC CLAIMS PROPRIETARY RIGHTS IN THE MATERIAL HEREIN DISCLOSED. IT IS SUPPLIED WITHOUT PREJUDICE TO ANY PATENT RIGHTS OF TCI AND MAY NOT BE REPRODUCED OR USED TO MANUFACTURE ANYTHING SHOWN THEREIN WITHOUT WRITTEN PERMISSION FROM TCI.