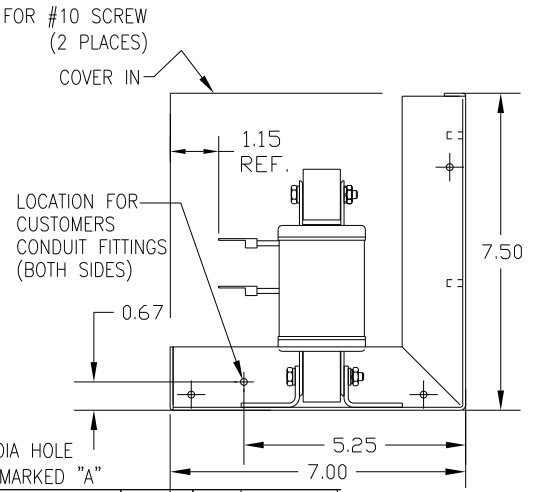
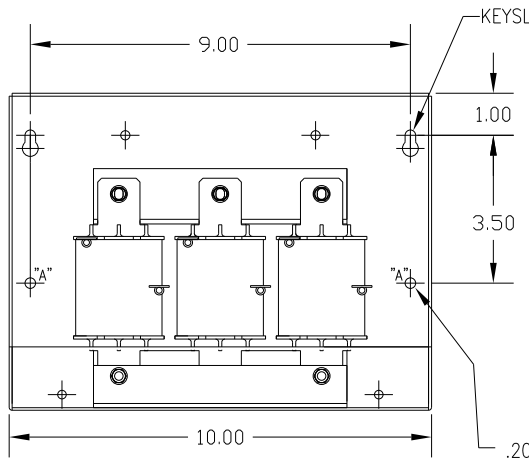
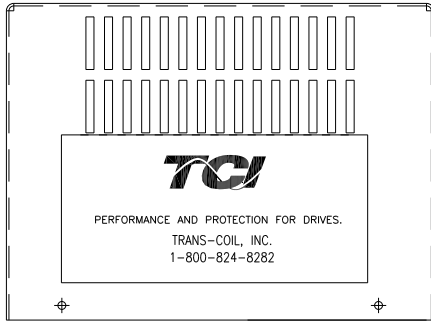
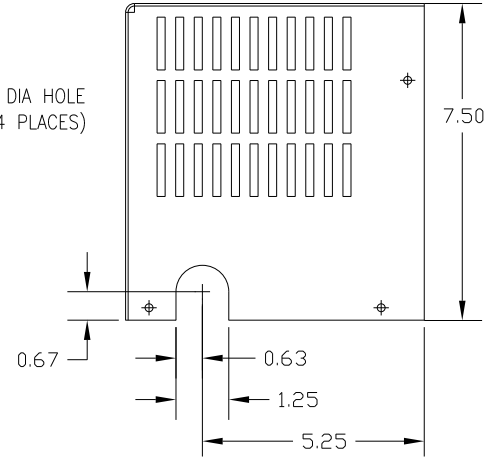
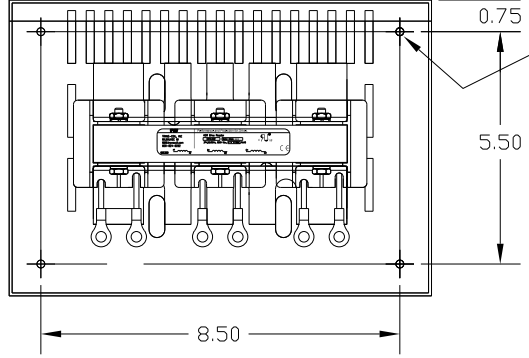
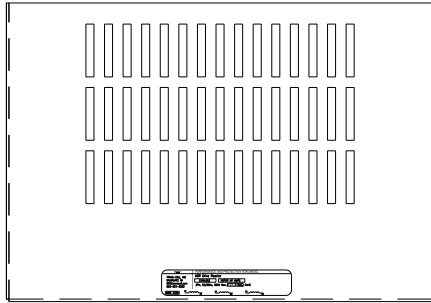


CATALOG NO	VOLTAGE	NEC MOTOR HP	NEC MOTOR CURRENT	APPROX WT-LBS	TERMINAL HOLE SIZE
KDRD35PC2V	690	25	27	16	.25



CUSTOMER IS RESPONSIBLE FOR INSTALLATION TO MEET ALL NATIONAL AND LOCAL ELECTRICAL CODES.

NO	REVISION	DATE	BY	TOLERANCES (EXCEPT AS NOTED)
				DECIMAL
				.XX ± .03
				.XXX ± .01
				FRACTIONAL
				± 1/32
				ANGULAR
				± 1/2°