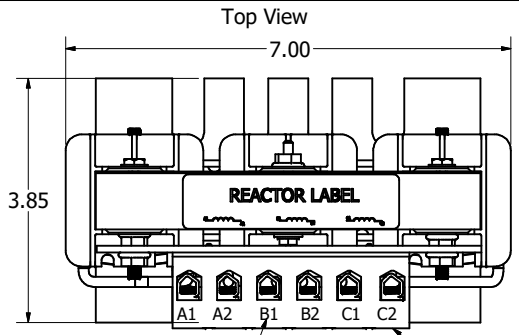


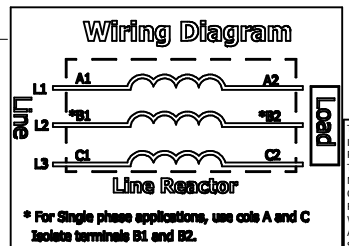
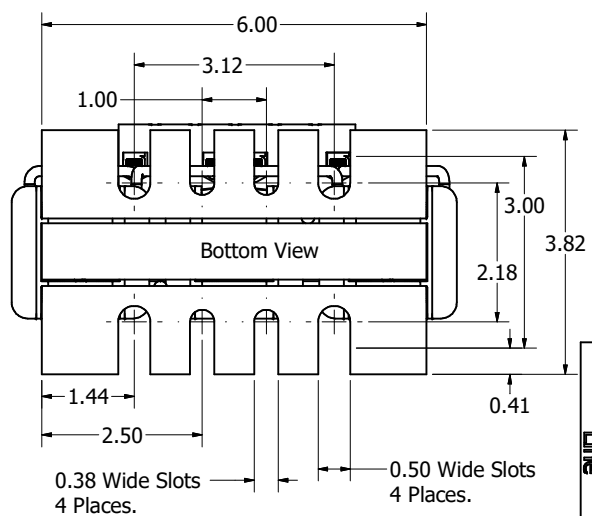
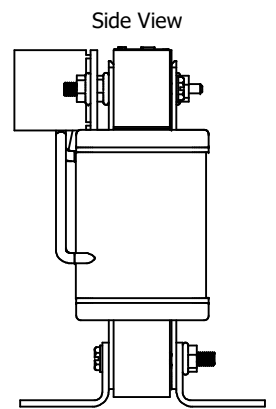
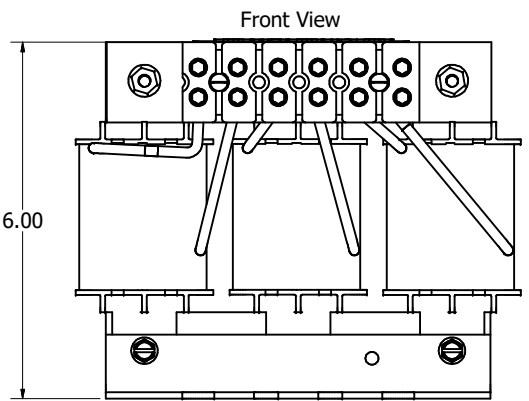
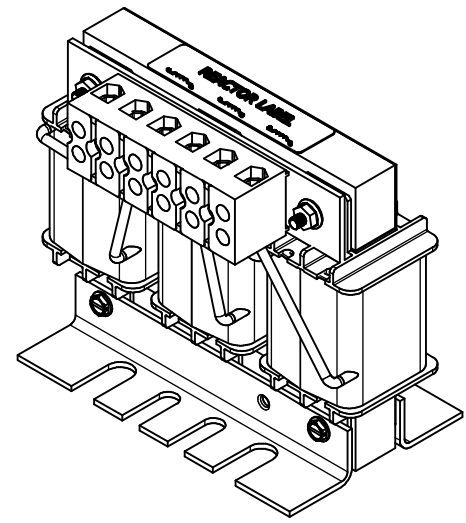
480 Rated Voltage, 600 Max Voltage, Low Z, Impedance.

| Part Number | Horsepower (HP) | Motor Amps (A) | Maximum Amps (A) | Inductance (uH) | Losses (W) | Weight (LBS) |
|-------------|-----------------|----------------|------------------|-----------------|------------|--------------|
| KDRD1L | 25 | 34 | 37 | 569 | 96 | 10 |
| KDRD2L | 30 | 40 | 45 | 469 | 105 | 10 |



(Customer Connections) Markings On Terminal Block For Reference Only.

Wire Range: 4-18 AWG.
Torque : 20 IN-LBS (2.3 Nm)



* For Single phase applications, use coils A and C Isolate terminals B1 and B2.

TGI (800) 824-8282 transcoil.com

TGI, LLC
Greenwood, WI, USA
transcoil.com
800-824-8282

KDR/L Drive Reactor
KDR - Motor Amps -
30% 30/40/45, -1 Rated, 600V Max, -A Max, RoHS
40C Amb Max, 135C Rise
Manual #30895

UL LISTED CE
2ND EDITION, 10, 1992

DATE CODE

Notes:

1. UL file number: cULus Listed File E116124.
2. KDR Drive Reactors Comply With The Thermal and Altitude Standards Set Forth by NEMA ST20-1992.
3. KDR IOM Manual Part Number 30895
4. Material(s) Shall be RoHS Compliant
5. Customer Is Responsible For Installation To Meet All National And Local Electrical Codes.

THE INFORMATION AND DESIGNS CONTAINED IN THIS DRAWING ARE CONFIDENTIAL AND THE PROPRIETARY PROPERTY OF ALLIED MOTION TECHNOLOGIES INC. AND ITS SUBSIDIARIES. NEITHER THIS DESIGN NOR ANY INFORMATION CONTAINED IN THIS DRAWING MAY BE REPRODUCED OR DISCLOSED TO OTHERS WITHOUT THE EXPRESS WRITTEN CONSENT OF ALLIED MOTION TECHNOLOGIES INC. AND ITS SUBSIDIARIES.