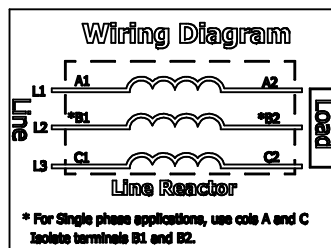
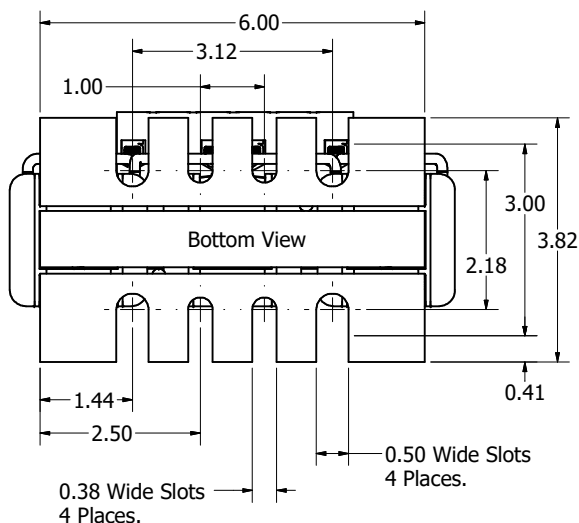
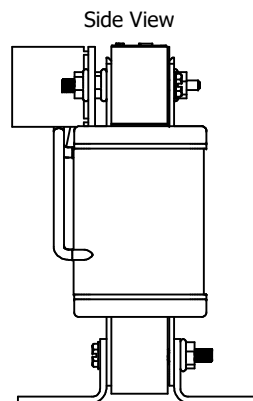
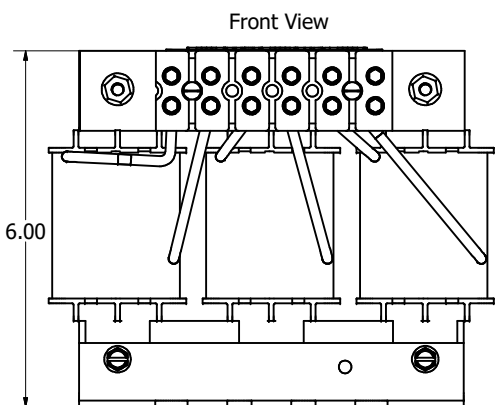
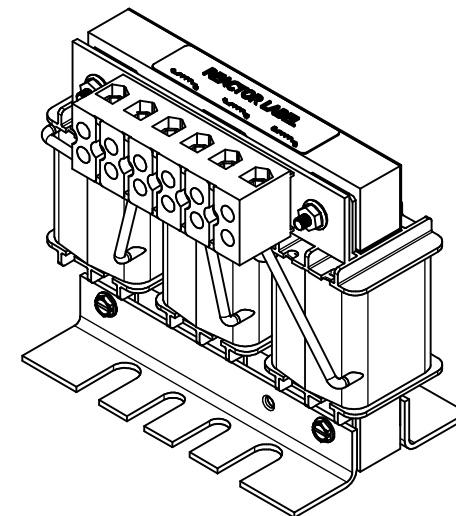


(Customer Connections)  
Markings On Terminal Block  
For Reference Only.

Wire Range: 4-18 AWG.  
Torque : 20 IN-LBS (2.3 Nm)

208/240 Rated Voltage, 600 Max Voltage, High Z, Impedance.

Part Number	Horsepower (HP)	Motor Amps (A)	Maximum Amps (A)	Inductance (uH)	Losses (W)	Weight (LBS)
KDRD21H	10	30.8	31	554	92	12
KDRD22H	15	46.2	47	375	108	12



\* For Single phase applications, use coils A and C  
Isolate terminals B1 and B2.

**TGI** (800) 824-8282 [transcoil.com](http://transcoil.com)  
 TCI, LLC  
 Germantown, WI, USA  
[transcoil.com](http://transcoil.com)  
 800-824-8282

KDR/L Drive Reactor  
 KDR - Motor Amps -  
 30% 20/40Hz, -1 Rated, 600V Max, -A Max, RoHS  
 40C Amb Max, 135C Rise  
 Manual #30895

UL LISTED CE  
 2ND EDITION, 10, 2002

DATE CODE

Notes:

1. UL file number: cULus Listed File E116124.
2. KDR Drive Reactors Comply With The Thermal and Altitude Standards Set Forth by NEMA ST20-1992.
3. KDR IOM Manual Part Number 30895
4. NEC Current For 208/240 Volts, Horsepower Based On 208 Volts.
5. Material(s) Shall be RoHS Compliant
6. Customer Is Responsible For Installation To Meet All National And Local Electrical Codes.

THE INFORMATION AND DESIGNS CONTAINED IN THIS DRAWING ARE CONFIDENTIAL AND THE PROPRIETARY PROPERTY OF ALLIED MOTION TECHNOLOGIES INC. AND ITS SUBSIDIARIES. NEITHER THIS DESIGN NOR ANY INFORMATION CONTAINED IN THIS DRAWING MAY BE REPRODUCED OR DISCLOSED TO OTHERS WITHOUT THE EXPRESS WRITTEN CONSENT OF ALLIED MOTION TECHNOLOGIES INC. AND ITS SUBSIDIARIES.