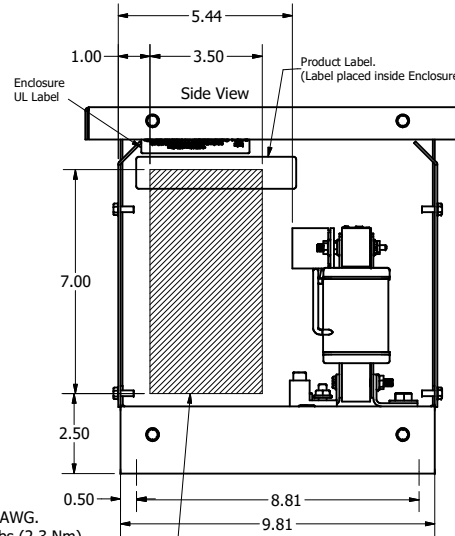
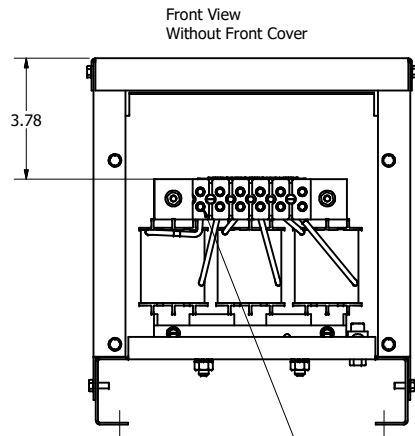
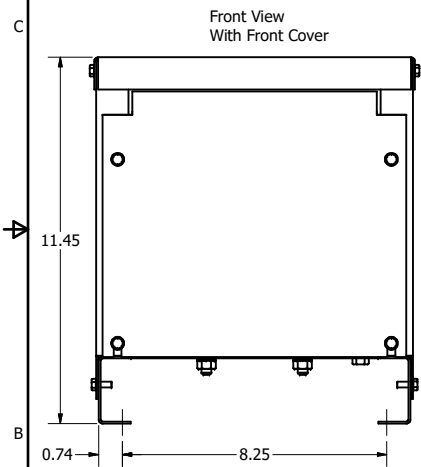


Ground Lug.
See IOM Manual, Part# 30895
Table S2/0, Wire Size And Torque.

Suggested
Customer Wire Entrance
Bottom Of Enclosure.
See Note: 6
(Non Removeable Panel)

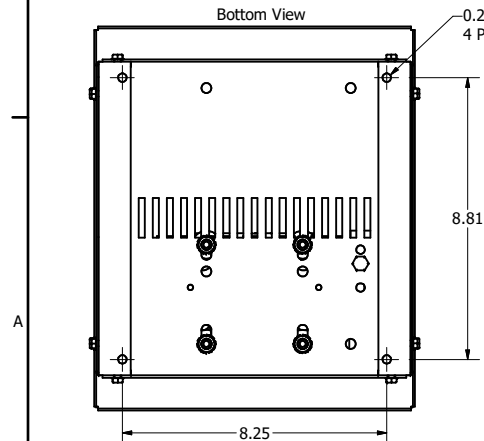


Product Label.
(Label placed inside Enclosure)

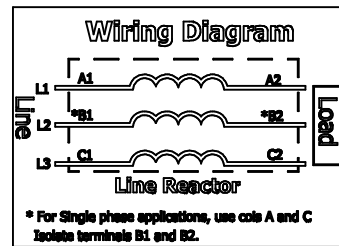
Enclosure
UL Label

Wire Range: 4 - 18 AWG.
Torque : 20 In-lbs (2.3 Nm)

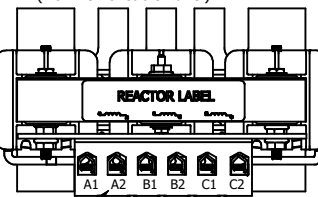
Suggested
Customer Entrance
Either Side Of Enclosure.
See Note: 6
(Non Removeable Panel)



0.27 Dia Holes
4 Places, (Bottom of Enclosure)



Markings On
Terminal Block For
Reference Only.



THE INFORMATION AND DESIGNS CONTAINED
IN THIS DRAWING ARE CONFIDENTIAL AND THE
PROPRIETARY PROPERTY OF ALLIED MOTION
TECHNOLOGIES INC. AND ITS SUBSIDIARIES.
NEITHER THIS DESIGN NOR ANY INFORMATION
CONTAINED IN THIS DRAWING MAY BE
REPRODUCED OR DISCLOSED TO OTHERS
WITHOUT THE EXPRESS WRITTEN CONSENT OF
ALLIED MOTION TECHNOLOGIES INC. AND ITS
SUBSIDIARIES.

208/240 Rated Voltage, 600 Max Voltage, High Z, Impedance.

Part Number	Horsepower (HP)	Motor Amps (A)	Maximum Amps (A)	Inductance (uH)	Weight (LBS)	Losses (W)
KDRD21HE3R	10	30.8	31	554	27	92
KDRD22HE3R	15	46.2	47	375	27	108

208/240 Rated Voltage, 600 Max Voltage, Low Z, Impedance.

Part Number	Horsepower (HP)	Motor Amps (A)	Maximum Amps (A)	Inductance (uH)	Weight (LBS)	Losses (W)
KDRD25LE3R	10	30.8	34	342	27	64
KDRD24LE3R	15	46.2	48	220	27	85
KDRD26LE3R	20	59.4	62	172	27	94

480 Rated Voltage, 600 Max Voltage, Low Z, Impedance.

Part Number	Horsepower (HP)	Motor Amps (A)	Maximum Amps (A)	Inductance (uH)	Weight (LBS)	Losses (W)
KDRD1LE3R	25	34	37	569	25	96
KDRD2LE3R	30	40	45	469	25	105

575 Rated Voltage, 600 Max Voltage, High Z, Impedance.

Part Number	Horsepower (HP)	Motor Amps (A)	Maximum Amps (A)	Inductance (uH)	Weight (LBS)	Losses (W)
KDRD41HE3R	20	22	23	2070	27	105

575 Rated Voltage, 600 Max Voltage, Low Z, Impedance.

Part Number	Horsepower (HP)	Motor Amps (A)	Maximum Amps (A)	Inductance (uH)	Weight (LBS)	Losses (W)
KDRD42LE3R	30	32	32	853	27	106

480 Rated Voltage, 600 Max Voltage, Output

Part Number	Horsepower (HP)	Motor Amps (A)	Maximum Amps (A)	Inductance (uH)	Weight (LBS)	Losses (W)
KDRD1PE3R	15	21	21	548	25	30
KDRD2PE3R	20	27	27	444	25	43
KDRD3PE3R	25	35	35	305	27	55
KDRD4PE3R	30	45	45	262	27	59

575 Rated Voltage, 600 Max Voltage, Output

Part Number	Horsepower (HP)	Motor Amps (A)	Maximum Amps (A)	Inductance (uH)	Weight (LBS)	Losses (W)
KDRD31PE3R	15	15	17	643	25	27
KDRD32PE3R	20	20	22	439	25	43
KDRD35PE3R	25	25	27	460	25	43
KDRD33PE3R	30	30	32	329	25	55
KDRD34PE3R	40	40	41	256	27	59



Notes:

1. UL file number: cULus Listed File E116124.
2. KDR Drive Reactors Comply With The Thermal and Altitude Standards Set Forth by NEMA ST20-1992.
3. KDR IOM Manual Part Number 30895
4. NEC Current For 208/240 Volts, Horsepower Based On 208 Volts.
5. Material(s) Shall be RoHS Compliant
6. Customer Is Responsible For Installation To Meet All National And Local Electrical Codes.