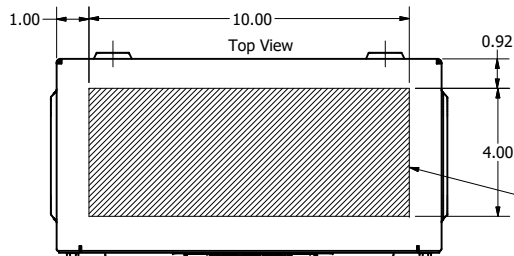
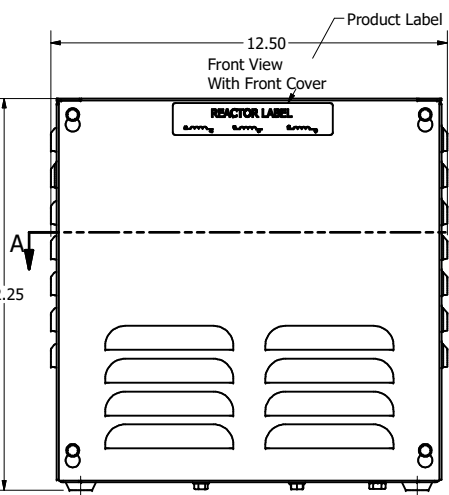


Ground Lug.
See IOM Manual, Part# 30895
Table S2/0, Wire Size And Torque.

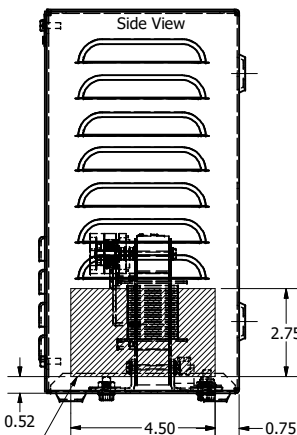
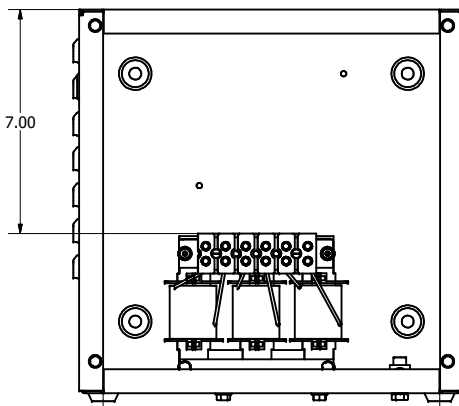
Wire Range: 4-18 AWG.
Torque : 20 IN-LBS (2.3 Nm)



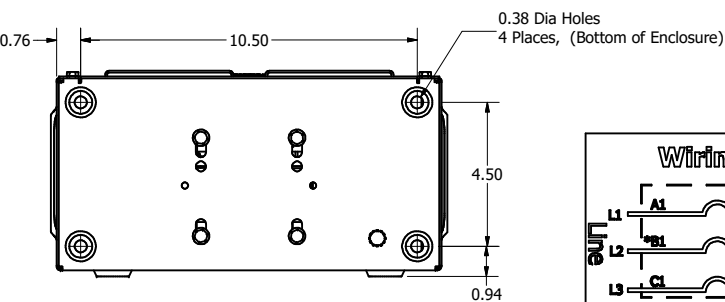
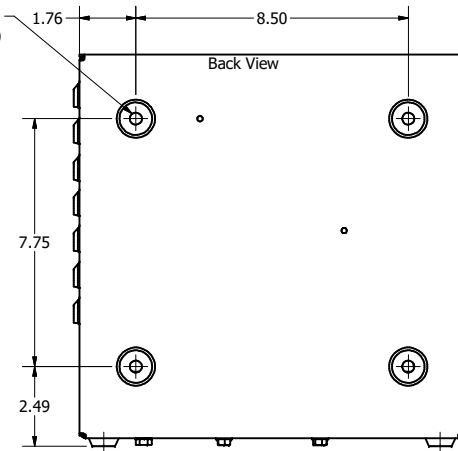
Suggested
Customer Wire Entrance
Top Of Enclosure.
See Note: 6
(Non Removeable Panel)



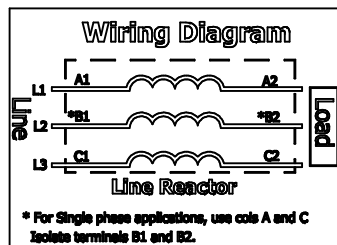
Front View
Without Front Cover



0.38 Dia Holes
4 Places, (Back of Enclosure)



Bottom View



208/240 Rated Voltage, 600 Max Voltage, High Z, Impedance.						
Part Number	Horsepower (HP)	Motor Amps (A)	Maximum Amps (A)	Inductance (uH)	Weight (LBS)	Losses (W)
KDRB25HE01	5	16.7	17	1030	18.4	53
KDRB26HE01	7 1/2	24.2	26	699	18.4	67

480 Rated Voltage, 600 Max Voltage, High Z, Impedance.						
Part Number	Horsepower (HP)	Motor Amps (A)	Maximum Amps (A)	Inductance (uH)	Weight (LBS)	Losses (W)
KDRB2HE01	15	21	24	1690	17.4	105

575 Rated Voltage, 600 Max Voltage, High Z, Impedance.						
Part Number	Horsepower (HP)	Motor Amps (A)	Maximum Amps (A)	Inductance (uH)	Weight (LBS)	Losses (W)
KDRB42HE01	7 1/2	9	10	5370	18.4	61
KDRB43HE01	10	11	11	4340	18.4	70
KDRB44HE01	15	17	18.5	2630	18.4	73

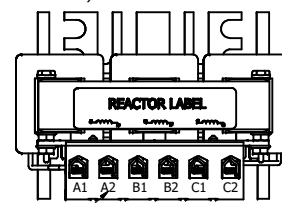
480 Rated Voltage, 600 Max Voltage, Output						
Part Number	Horsepower (HP)	Motor Amps (A)	Maximum Amps (A)	Inductance (uH)	Weight (LBS)	Losses (W)
KDRB1PE01	10	14	16	701	17.4	20

208/240 Rated Voltage, 600 Max Voltage, Low Z, Impedance.						
Part Number	Horsepower (HP)	Motor Amps (A)	Maximum Amps (A)	Inductance (uH)	Weight (LBS)	Losses (W)
KDRB22LE01	5	16.7	19	626	18.4	39
KDRB23LE01	7 1/2	24.2	25	434	18.4	48

480 Rated Voltage, 600 Max Voltage, Low Z, Impedance.						
Part Number	Horsepower (HP)	Motor Amps (A)	Maximum Amps (A)	Inductance (uH)	Weight (LBS)	Losses (W)
KDRB2LE01	15	21	25	912	18.4	65
KDRB1LE01	20	27	30	694	18.4	79

575 Rated Voltage, 600 Max Voltage, Low Z, Impedance.						
Part Number	Horsepower (HP)	Motor Amps (A)	Maximum Amps (A)	Inductance (uH)	Weight (LBS)	Losses (W)
KDRB45LE01	15	17	19.5	1590	18.4	66
KDRB44LE01	20	22	24	1280	18.4	71
KDRB43LE01	25	27	30	883	18.4	77

Suggested
Customer Entrance
Either Side Of Enclosure.
See Note: 6
(Non Removeable Panel)



TCC (800) 824-6282 transcoil.com

TCC, LLC
Greenwood, WI, USA.
transcoil.com
800-824-6282

120VAC Drive Reactor
120V Motor Amps ---
30V, 30/60Hz, ---V Rated, 600V Max, ---A Max, Part#
48C Amps Max, 120C Max
Manual #30895

UL Listed File E116124
NEMA ST20-1992

Notes:

- UL file number: cULus Listed File E116124.
- KDR Drive Reactors Comply With The Thermal and Altitude Standards Set Forth by NEMA ST20-1992.
- KDR IOM Manual Part Number 30895
- NEC Current For 208/240 Volts, Horsepower Based On 208 Volts.
- Material(s) Shall be RoHS Compliant
- Customer Is Responsible For Installation To Meet All National And Local Electrical Codes.