

480 Rated Voltage, 690 Max Voltage, High Z, Impedance.

Part Number	Horsepower (HP)	Motor Amps (A)	Maximum Amps (A)	Inductance (uH) +/-10%	Weight (LBS)	Losses (W)
KDRAA1H2E3R1	2	3.4	3.8	10800	18.0	33
KDRAA2H2E3R1	3	4.8	5.4	7650	18.0	42
KDRAA6H2E3R1	4	6.2	7.2	5930	18.4	50
KDRAA3H2E3R1	5	7.6	8.2	4840	18.7	66
KDRAA3H2E3R1	5 1/2	8.2	8.2	4840	18.7	74
KDRAA4H2E3R1	7 1/2	11	12	3060	19.0	70
KDRAA5H2E3R1	10	14	14	2330	19.2	97.7

208/ 240 Rated Voltage, 690 Max Voltage, High Z, Impedance.

Part Number	Horsepower (HP)	Motor Amps (A)	Maximum Amps (A)	Inductance (uH) +/-10%	Weight (LBS)	Losses (W)
KDRAA28H2E3R1	3	10.6	11	1618	17.6	44.6

600 Rated Voltage, 690 Max Voltage, High Z, Impedance.

Part Number	Horsepower (HP)	Motor Amps (A)	Maximum Amps (A)	Inductance (uH) +/-10%	Weight (LBS)	Losses (W)
KDRAA46H2E3R1	1 1/2	2.4	3.2	19100	18.2	26
KDRAA43H2E3R1	2	2.7	3.4	17000	18.0	30
KDRAA44H2E3R1	3	3.9	4.5	11800	17.9	47
KDRAA57H2E3R1	4	4.9	5.5	9380	18.5	48
KDRAA58H2E3R1	5	6.1	6.8	7530	18.4	44
KDRAA58H2E3R1	5 1/2	6.6	6.8	7530	18.4	47

480 Rated Voltage, 690 Max Voltage, Low Z, Impedance.

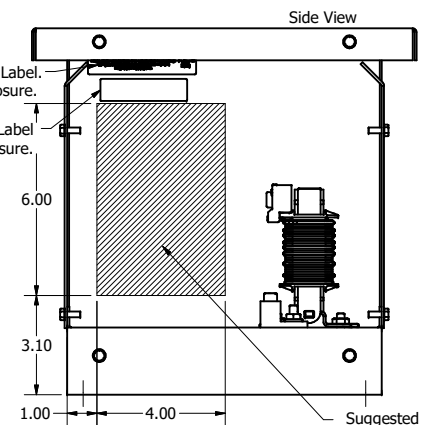
Part Number	Horsepower (HP)	Motor Amps (A)	Maximum Amps (A)	Inductance (uH) +/-10%	Weight (LBS)	Losses (W)
KDRAA6L2E3R1	4	6.2	7.0	3560	18.0	39
KDRAA3L2E3R1	5	7.6	8.2	2900	18.0	45
KDRAA3L2E3R1	5 1/2	8.2	8.2	2900	18.0	49
KDRAA4L2E3R1	7 1/2	11.0	11.6	2000	18.2	63
KDRAA5L2E3R1	10	14	14	1580	18.3	77.7

208/ 240 Rated Voltage, 690 Max Voltage, Low Z, Impedance.

Part Number	Horsepower (HP)	Motor Amps (A)	Maximum Amps (A)	Inductance (uH) +/-10%	Weight (LBS)	Losses (W)
KDRAA28L2E3R1	3	10.6	12	971	18	42

600 Rated Voltage, 690 Max Voltage, Low Z, Impedance.

Part Number	Horsepower (HP)	Motor Amps (A)	Maximum Amps (A)	Inductance (uH) +/-10%	Weight (LBS)	Losses (W)
KDRAA52L2E3R1	3	3.9	4.5	7070	18.5	30
KDRAA57L2E3R1	4	4.9	5.5	5630	17.9	30
KDRAA58L2E3R1	5	6.1	7.6	4520	18.0	39
KDRAA58L2E3R1	5 1/2	6.6	7.6	4520	18.0	44
KDRAA48L2E3R1	7 1/2	9.0	9.6	3100	18.2	57
KDRAA49L2E3R1	10	11	11	2350	18.8	52.6



Suggested Customer Wire Entrance Either Side Of Enclosure. See Note: 6 (Non Removeable Panel)

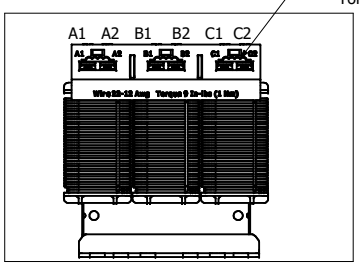
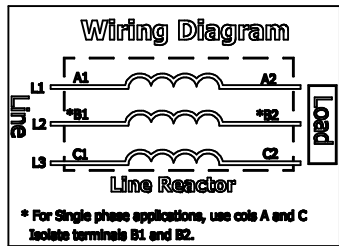
TCL TCI, LLC | Germantown, WI | transcoll.com

KDR Drive Reactor
 KDR— Motor Amps—
 3PH 50/60Hz, —V Rated, 60V Max, —A Max, RoHS
 80C Amb Max 135C Rise, Manual # 30895

UL Listed
 200 CONF. # 1, 890

CE

Date Code



- Notes:
1. UL file number: cULus Listed File E116124.
 2. KDR Drive Reactors Comply With The Thermal and Altitude Standards Set Forth by NEMA ST20-1992.
 3. KDR IOM Manual Part Number 30895
 4. NEC Current For 208/240 Volts, Horsepower Based On 208 Volts.
 5. Material(s) Shall be RoHS Compliant
 6. User To Punch Own Holes For Wire Entry.
 7. Customer Is Responsible For Installation To Meet All National And Local Electrical Codes.