

TAKEX HEATER for photoelectric beam sensor :

HTF-24E (for 24V AC, DC use)

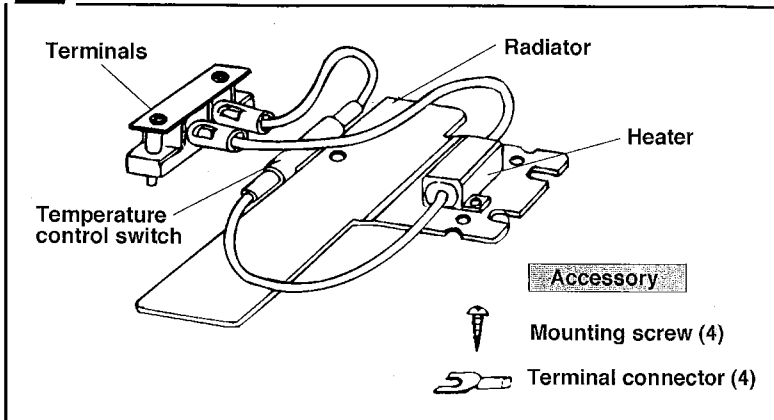
Instruction Manual

Thank you for purchasing this TAKEX product. Please read this Instruction Manual carefully for correct and effective use.

1 CAUTIONS ON INSTALLATION

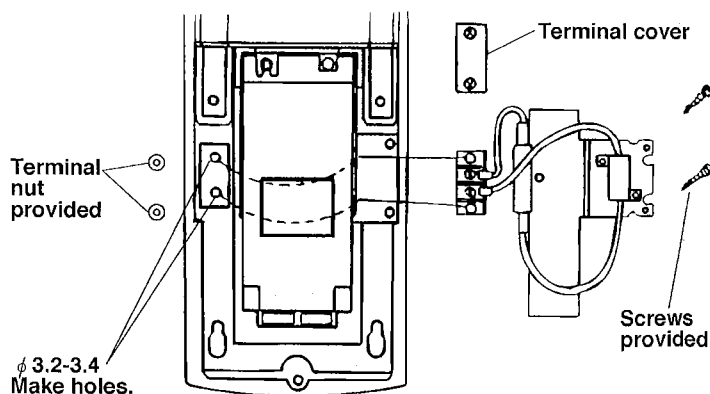
- * This unit should be used in cold days only.
Do not use the unit except in cold days.
- * This unit consumes large power.
Prepare separate wiring / power source for this unit.

2 PARTS DESCRIPTION



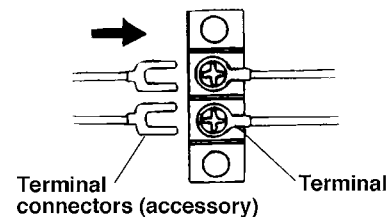
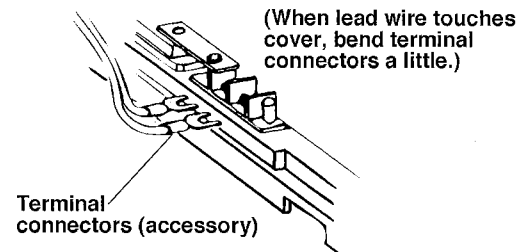
3 INSTALLATION

- 1) Detach mounting plate.
- 2) Make 2 holes on slit of sensor base.
- 3) Fix heater unit to the sensor base with 4 screws.



4 WIRING

- 1) Connect terminals. (Insert terminal connectors on the terminals.)
- 2) Attach terminal cover after installation.



* Terminal connectors shown on the figure should be used for terminal wiring.

[Allowable wiring distance]

Wire size used	Power voltage 24V AC/DC
AWG 16 (Dia. 1.25mm)	170m (550ft.)
AWG 15 (Dia. 1.4mm)	220m (720ft.)
AWG 14 (Dia. 1.6mm)	280m (910ft.)

When two or more heaters are connected, wiring distance should be the above value divided by number of heater units.

5 SPECIFICATIONS

Power consumption / 430mA Max.
Temperature control / 60°C with powered
(Temperature control switch)

Limited Warranty :

TAKEX products are warranted to be free from defects in material and workmanship for 12 months from original date of shipment. Our warranty does not cover damage or failure caused by Acts of God, abuse misuse, abnormal usage, faulty installation, improper maintenance or any repairs other than those provided by TAKEX. All implied warranties with respect to TAKEX, including implied warranties for merchantability and implied warranties for fitness, are limited in duration to 12 months from original date of shipment. During the Warranty Period, TAKEX will repair or replace, at its sole option, free of charge, any defective parts returned prepaid. Please provide the model number of the products, original date of shipment and nature of difficulty being experienced. There will be charges rendered for product repairs made after our Warranty Period has expired.

TAKEX TAKENAKA ENGINEERING CO., LTD.

In Japan

Takenaka Engineering Co., Ltd.
83-1, Gojo-sotokan, Higashino,
Yamashina-ku, Kyoto 607-8156, Japan
Tel : 81-75-501-6651
Fax : 81-75-593-3816

http : // www. takex-eng. co. jp /

In the U.S.

Takex America Inc.
230E, Caribbean Drive
Sunnyvale, CA 94089, U.S.A.
Tel : 408-747-0100
Fax : 408-734-1100

In Australia

Takex America Inc.
Unit 16, 35 Garden Road, Clayton,
Victoria 3168, Australia
Tel : 03-9546-0533
Fax : 03-9547-9450

In the U.K.

Takex America Inc.
Brisbane office : 1/50 Logan
Road, Woolloongabba
Queensland 4102, Australia
Tel : 07-3891-3344
Fax : 07-3891-3355

Takex Europe Ltd.
Pulnix House, Aviary Court, Wade Road,
Basingstoke, Hampshire RG24 8PE, U.K.
Tel : 01256-475555
Fax : 01256-468268