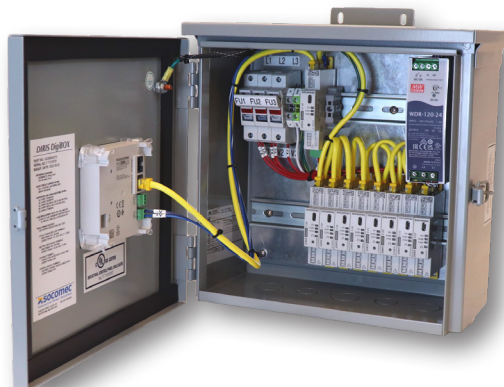


DIRIS DigiBOX M

Enclosed multi-point submetering solution

Enclosed multi-point
submetering solution



DIRIS DigiBOX M8
Enclosed 8-circuit submeter



Configuration
with Easy Config System

Function

Socomec's enclosed **DIRIS DigiBOX M** submetering line is designed to offer a complete and modular multi-circuit metering solution in NEMA 12.3R enclosures for indoor and outdoor use.

With ease of installation for retrofit applications and factory pre-wired Plug & Play technology, DIRIS DigiBOX solutions provide considerable savings in installation costs and customer site downtime. The solution offers the benefits of the scalable & customizable Digiware technology.

Advantages

Plug & Play design

- Factory pre-wired
- Color-coded RJ12 cables for easy phase identification when wiring current sensors to the DigiBOX meters.
- Automatic detection of current sensor types and ratings
- Using low-voltage mV current sensors, no shorting blocks are needed, they can be disconnected safely under load

Accurate

Accuracy of measurements meets ANSI C12.20 and IEC 61557-12 standards:

- Class 0.5 system accuracy (Meter + TE / iTR / TF current sensors) from 2% to 120% of rated current
- Class 0.2 DigiBOX M

Safe & reliable

- Durable NEMA 12, 3R
- cULus listed enclosures and components
- Assembled at our cULus 508A facility
- Fused voltage connections
- Detailed installation and commissioning instruction guides

The solution for

- > Industry
- > Building
- > Infrastructure
- > Data center



Strong points

- > Plug & Play design
- > Accurate
- > Safe & reliable

Conformity to standards

- > cULus 508A
- > UL 61010-1, CSA-C22.2 No. 61010-1, Guide PICQ, File E257746
- > IEC 61557-12



Create your project

- > Find the best DIRIS Digiware configuration:
www.meter-selector.com

METER SELECTOR
DIGITAL TOOL AVAILABLE

Selection Guide

	<i>DigiBOX M4</i>		<i>DigiBOX M8</i>		<i>DigiBOX M4 Pro</i>		<i>DigiBOX M8 PRO</i>	
								
Metering technology	DIRIS Digiware system		DIRIS Digiware system		DIRIS Digiware system		DIRIS Digiware system	
Number of metering points (3P)	4		8		4		8	
Number of current inputs	12		24		12		24	
Display	•		•		•		•	
WEBVIEW webserver	•		•		•		•	
Communication								
RS485 (*)	•		•		•		•	
Ethernet (**)	•		•		•		•	
Enclosure								
Type	Steel	Steel	Steel	Steel	Steel	Steel	Steel	Steel
Rating	NEMA 3R	NEMA 3R	NEMA 3R	NEMA 3R	NEMA 3R	NEMA 3R	NEMA 3R	NEMA 3R
Dimensions (H x W x D)	12 x 12 x 6 in	12 x 12 x 6 in	12 x 12 x 6 in	12 x 12 x 6 in	12 x 12 x 6 in	12 x 12 x 6 in	12 x 12 x 6 in	12 x 12 x 6 in
Electrical characteristics								
Auxiliary Power	110 - 480 VAC	110 - 480 VAC	110 - 480 VAC	110 - 480 VAC	110 - 480 VAC	110 - 480 VAC	110 - 480 VAC	110 - 480 VAC
Energy metering								
kWh (+/-), kvarh (+/-), kVAh	•		•		•		•	
Demand Profiles (History)	•		•		•		•	
kW (+/-), kvar (+/-), kVA	•		•		•		•	
Power Factor	•		•		•		•	
Multi-measurement								
Amps, Volts, Frequency	•		•		•		•	
Power quality								
Voltage/current imbalance	•		•		•		•	
THDV, THDU, THDI	•		•		•		•	
Individual Harmonics V, U, I (up to 63rd)	•		•		•		•	
Alarms								
Measurement thresholds	o		o		•		•	
Events (voltage sags, swells, interruptions and overcurrent)	•		•		•		•	
Email notifications	•		•		•		•	
References	USDBB04ND0	USDBB04D50	USDBB08ND0	USDBB08D50	USDBP04ND0	USDBP04D70	USDBP08ND0	USDBP08D70

o = only on power measurements (kW, kvar, kVA)

(*) Supported RS485 protocol: Modbus RTU

(**) Supported Ethernet protocols: Modbus TCP/IP, BACnet IP, SNMP V1, V2, V3 & Traps

Commissioning

To get your DIRIS DigiBOX M up and running quickly with peace of mind, Socomec experts are here to assist you with commissioning. Our commissioning services consist of:

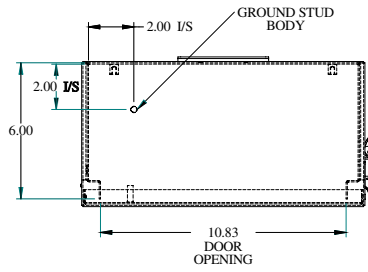
- Verifying the installation and wiring of your power monitoring system (phase association, orientation of CTs etc.)
- Configuring your DIRIS DigiBOX M
- Performing communication tests to ensure measurement data gets communicated to your energy management system.
- Information on how to operate the power monitoring system and associated software
- A detailed commissioning report summarizing the system settings, passwords etc.



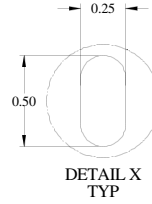
DIRIS DigiBOX M

Enclosed multi-point submetering solution

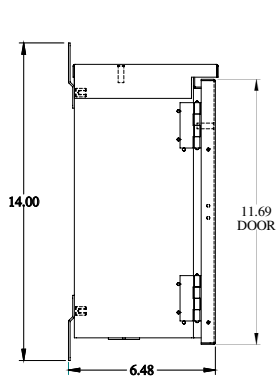
Dimensions



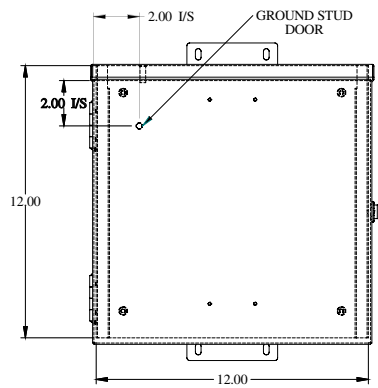
TOP VIEW



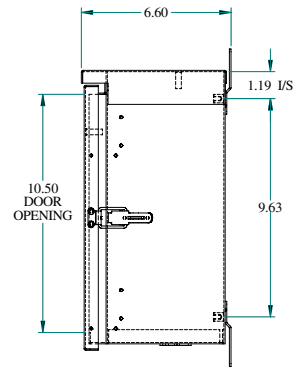
DETAIL X
TYP



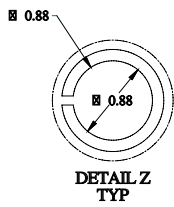
SIDE VIEW



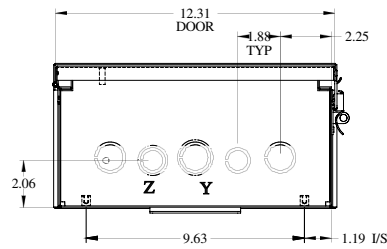
FRONT VIEW



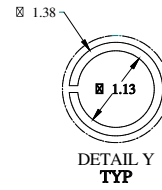
SIDE VIEW



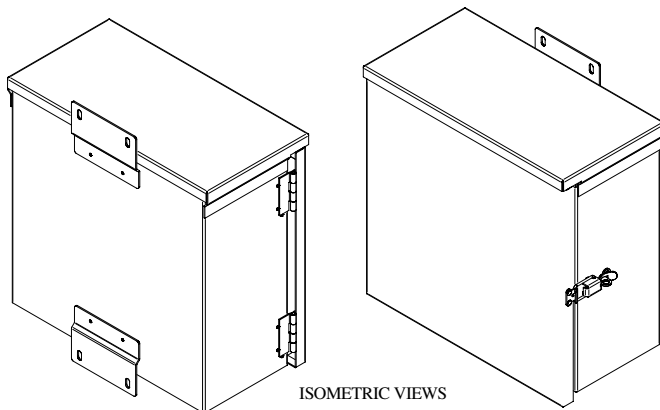
DETAIL Z
TYP



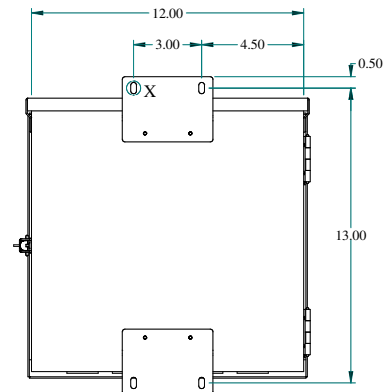
BOTTOM VIEW



DETAIL Y
TYP



ISOMETRIC VIEWS



BACK VIEW

Technical characteristics

Electrical characteristics

Input Power	
Voltage	110-480 VAC
Frequency	50/60 Hz

Measurement characteristics

Power and energy measurement	
Accuracy active energy and active power	Class 0.2, DigiBOX M alone Class 0.5 with TE, ITR, TF sensors Class 1 with TR sensors
Accuracy reactive energy	Class 1 with TE, ITR, TF sensors
Power factor measurement	
Accuracy	Class 0.5 with TE, ITR, TF sensors Class 1 with TR sensors
Voltage measurement	
Electrical network type	Single-phase (1P2W) / Two-phase (2P2W) / Two-phase with neutral (2P3W) / Three-phase (3P3W) / Three-phase with neutral (3P4W)
Voltage measurement rating	500-300 VAC (Ph-N) / 87-520 VAC (Ph-Ph) – CAT III
Voltage accuracy	Class 0.02
Voltage input consumption	≤ 1 VA
Frequency range	45 – 65 Hz
Frequency accuracy	Class 0.2
Current measurement	
Number of current inputs	DigiBOX M4: 12 DigiBOX M8: 24
Associated current sensors	Solid-core TE, split-core TR/ITR, flexible Rogowski TF
Connection	Dedicated Socomec RJ12 cables
Accuracy	Class 0.2 DigiBOX M alone

Mechanical characteristics

Application	Indoor installations
Enclosure	Steel, finished in ANSI 61 gray powder coating
Enclosure dimensions (in)	12 (H) x 12 (W) x 6 (D)
Protection rating	NEMA 3R / IP24
Operational temperature	+14 ... +131 °F / -10 °C ... +70 °C
Altitude	≤ 9840 ft / 3000 m

Communication characteristics

RS485	
Link	RS485
Connection type	2 to 3 half duplex wires
Protocol	Modbus RTU
Baudrate	9600 – 115200 baud
Ethernet	
Link	Ethernet
Connection type	RJ45 10/100 Mbs
Protocol	Modbus TCP/IP, BACnet IP, SNMP v1, v2, v3
USB	
Link	Micro USB Type b
Protocol	Modbus RTU
Use	Configuration via Easy Config System and firmware upgrade via Product Upgrade Tool

DIRIS DigiBOX M

Enclosed multi-point submetering solution

References

DIRIS DigiBOX M - multipoint submeter

		Reference
DIRIS DigiBOX M4 without display	Enclosed submeter with 12 x CT inputs - RS485 communication	USDBB04ND0
DIRIS DigiBOX M4 with display	Enclosed submeter with 12 x CT inputs - display - RS485 and Ethernet communication	USDBB04D50
DIRIS DigiBOX M4 PRO without display	Enclosed submeter with 12 x CT inputs - power quality and alarming - RS485 communication- WEBVIEW-M webserver	USDBP04ND0
DIRIS DigiBOX M4 PRO with display	Enclosed submeter with 12 x CT inputs - power quality and alarming - display - RS485 and Ethernet communication - WEBVIEW-M webserver	USDBP04D70
DIRIS DigiBOX M8 without display	Enclosed submeter with 24 x CT inputs - power quality and alarming - RS485 communication	USDBB08ND0
DIRIS DigiBOX M8 with display	Enclosed submeter with 24 x CT inputs - display - RS485 and Ethernet communication	USDBB08D50
DIRIS DigiBOX M8 PRO without display	Enclosed submeter with 24 x CT inputs - power quality and alarming - RS485 communication	USDBP08ND0
DIRIS DigiBOX M8 PRO with display	Enclosed submeter with 24 x CT inputs - power quality and alarming - display - RS485 and Ethernet communication - WEBVIEW-M webserver	USDBP08D70

Solid-core current sensors

Model	Nominal current range (A)	Real range covered (A)	Aperture size (in/mm)	Reference
TE-18	5 ... 20	0.1 ... 24	Ø 0.33 / 8.6	4829 0500
TE-18	25 ... 63	0.5 ... 75	Ø 0.33 / 8.6	4829 0501
TE-25	40 ... 160	0.8 ... 192	0.53 x 0.53 / 13.5 x 13.5	4829 0502
TE-35	63 ... 250	1.26 ... 300	0.82 x 0.82 / 21 x 21	4829 0503
TE-45	160 ... 630	3.2 ... 756	1.22 x 1.22 / 31 x 31	4829 0504
TE-55	400 ... 1000	8 ... 1200	1.61 x 1.61 / 41 x 41	4829 0505
TE-90	600 ... 2000	12 ... 2400	2.52 x 2.52 / 64 x 64	4829 0506

Split-core current sensors

Model	Nominal current range (A)	Real range covered (A)	Aperture size (in/mm)	Reference
TR-10 / ITR-10	25 ... 63	0.5 ... 75.6	Ø 0.39 / 10	4829 0555 / 4829 0655
TR-14 / ITR-14	40 ... 160	0.8 ... 192	Ø 0.55 / 14	4829 0556 / 4829 0656
TR-21 / ITR-21	63 ... 250	1.26 ... 300	Ø 0.83 / 21	4829 0557 / 4829 0657
TR-32 / ITR-32	160 ... 600	3.2 ... 720	Ø 1.26 / 32	4829 0558 / 4829 0658

Flexible Rogowski current sensors (*)

Model	Nominal current range (A)	Real range covered (A)	Aperture size (in/mm)	Reference
TF-40	100 ... 400	2 ... 480	Ø 1.57 / 40	4829 0573
TF-80	150 ... 600	3 ... 720	Ø 3.15 / 80	4829 0574
TF-120	400 ... 2000	8 ... 2400	Ø 4.72 / 120	4829 0575
TF-200	600 ... 4000	12 ... 4800	Ø 7.87 / 200	4829 0576
TF-300	1600 ... 6000	32 ... 7200	Ø 11.81 / 300	4829 0577
TF-600	1600 ... 6000	32 ... 7200	Ø 23.62 / 600	4829 0578
Set of 3 RJ12 female/female connectors for RJ12 lead extension between DigiBOX M and TF sensor				4829 0670
(*) TF Rogowski sensors come with a 6-ft cable lead with RJ12 male connector				

RJ12 sensor lead cables

Model	Number of cables	Length (ft/m)	Color coding	Reference
RJ12 3 x 0.5m	3	1.64 / 0.5	Black, Red, Yellow	4829 0595
RJ12 3 x 1m	3	3.3 / 1	Black, Red, Yellow	4829 0583
RJ12 3 x 2m	3	6.5 / 2	Black, Red, Yellow	4829 0584
RJ12 3 x 3m	3	9.84 / 3	Black, Red, Yellow	4829 0606
RJ12 3 x 5m	3	16.4 / 5	Black, Red, Yellow	Please consult us
RJ12 3 x 10m	3	32.8 / 10	Black, Red, Yellow	Please consult us

Commissioning

1/2-day remote commissioning	Remote commissioning including installation verification, programming and communication testing	9230100027
1/2-day on-site commissioning	On-site commissioning including installation verification, programming and communication testing	9230100004