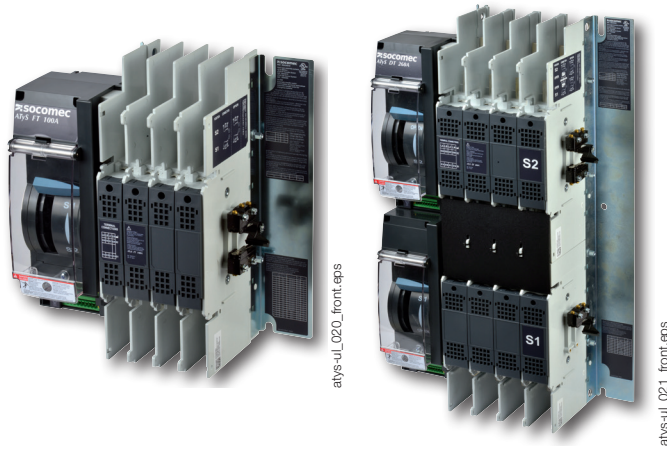


ATyS FT - ATyS DT

Automatic Transfer Switching Equipment

from 100 to 400 A

Transfer switches



The solution for

- > Emergency systems
- > Legally required standby systems
- > Optional standby systems



Strong points

- > Robust, reliable and high performing
- > Safe manual handle
- > Intuitive use and simple installation
- > Inspectable contacts

Conformity to standards

- > UL 1008
CSA-C22.2
No.178.1-14
Guide WPWR
File E506172



Function

ATyS FT and ATyS DT are fully automatic open transition transfer switches for use in total system emergency, legally required and standby applications for the safe transfer between a normal and an alternate power source.

ATyS FT is a fast transfer switch with no center off position and the ATyS DT is a delayed transfer switch with a center off position allowing full control of the time spent disconnected from both incoming sources.

Advantages

Robust, reliable and high performing

Rated for emergency systems and total system without derating, these switches also include high short-circuit rating with specific breakers or fuses up to 100 kA.

Safe manual handle

The ATyS FT and ATyS DT ensure the safety of your maintenance personnel due to patented safety features.

Access to the manual handle is prohibited by a transparent polycarbonate cover that requires a deliberate action to open. Once the cover is opened, the switch and the controller are both electrically inhibited which prevents any unexpected transfer during maintenance. The power switching characteristics when using the main manual handle are as reliable as when operated automatically ensuring safe transfers in all cases.

Intuitive use and simple installation

The ATyS FT and ATyS DT include the ATyS C66 controller, designed for simple and intuitive configuration.

Inspectable contacts

The ATyS FT and ATyS DT are specifically designed to reduce the time it takes to inspect power contacts due to the specific maintenance mode.

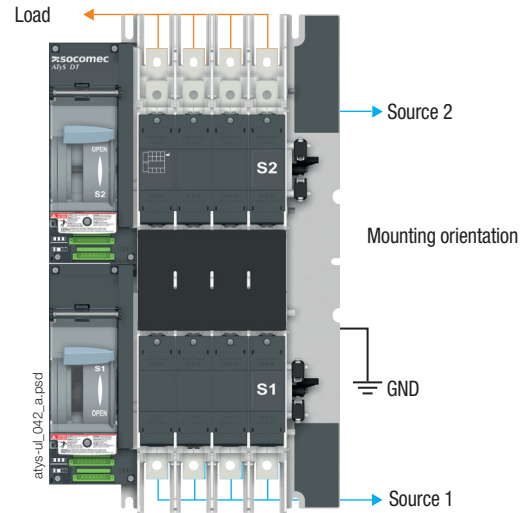
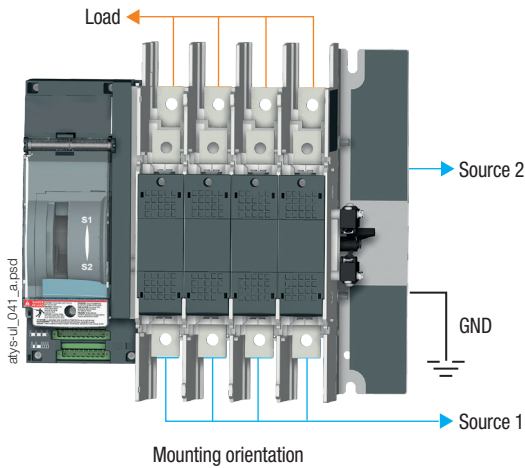


ATyS FT - ATyS DT

Automatic Transfer Switching Equipment
from 100 to 400 A

Typical applications

The ATyS FT/DT range provides safe transfer for mains/mains or mains/genset in emergency, legally required and optional standby systems as described in the NEC® (NFPA 70).



Additional Products

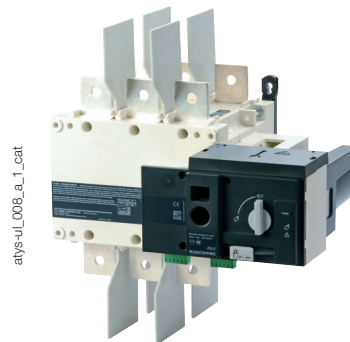
ATyS C66



The ATyS C66 controller is also available as a standalone product (certified to UL 61010) easily configurable for use with all transfer switching technologies (switches, contactors or circuit breakers). The ATyS C66 features intuitive menus, configurable I/O and is NEMA 3R/12 rated.

See the separate catalog pages for more details on the ATyS C66 controller.

ATyS UL 1008



The ATyS UL 1008 is designed to meet the requirements of UL 1008 optional standby applications rated from 100 to 1200 A featuring a field replaceable motor and maintenance free contacts.

See the separate catalog pages for more details on the ATyS UL 1008.

ATyS FT - ATyS DT

Automatic Transfer Switching Equipment
from 100 to 400 A

References

ATyS FT: Fast transfer I – II switch & controller

The ATyS FT switches are comprised of a UL 1008 transfer switch, ATyS C66 controller (including a gasket to meet NEMA 3R/12, door mounting screws and back plate mounting feet), 2 NO/NC auxiliary contacts mounted on the switch, and a cable harness to connect the ATyS FT switch body to the C66 controller.

Rating (A)	Frame size	N° of poles ⁽¹⁾	ATyS FT Reference	ATyS FT spare switch Reference	ATyS FT Spare harness Reference	Terminal screens	Additional auxiliary contacts		
100	F1	2 P	96A0 2010	9600 2010	9696 4000	9698 2020	9699 0021		
		2 P+SN	96A1 2010	9601 2010		9698 3020			
		3 P	96A0 3010	9600 3010	9697 4000				
		3 P ⁽²⁾	9680 3010						
		3 P+SN	96A1 3010	9601 3010	9698 4020				
4 P		96A0 4010	9600 4010						
200		F1	2 P	96A0 2020	9600 2020	9696 4000		9698 2020	9699 0021
			2 P+SN	96A1 2020	9601 2020			9698 3020	
			3 P	96A0 3020	9600 3020	9697 4000			
			3 P ⁽²⁾	9680 3020					
	3 P+SN		96A1 3020	9601 3020	9698 4020				
4 P	96A0 4020		9600 4020						
260	F2		2 P	96A0 2026	9600 2026	9696 4000	9698 2040	9699 0021	
			2 P+SN	96A1 2026	9601 2026		9698 3040		
			3 P	96A0 3026	9600 3026	9697 4000			
			3 P ⁽²⁾	9680 3026					
		3 P+SN	96A1 3026	9601 3026	9698 4040				
4 P		96A0 4026	9600 4026						
400		F2	2 P	96A0 2040	9600 2040	9696 4000	9698 2040		9699 0021
			2 P+SN	96A1 2040	9601 2040		9698 3040		
			3 P	96A0 3040	9600 3040	9697 4000			
			3 P ⁽²⁾	9680 3040					
	3 P+SN		96A1 3040	9601 3040	9698 4040				
4 P	96A0 4040		9600 4040						

(1) Switches with "+SN" include a solid neutral pole, all other configurations include fully rated switched poles.

(2) Product references include specific harness for 480 V.a.c networks without neutral connector.

The 2 transformers are not included and must be purchased separately contact us.

ATyS DT: Delayed transition I – II switch with center off switch & controller

The ATyS DT switches are comprised of a UL 1008 transfer switch, ATyS C66 controller (including a gasket to meet NEMA 3R/12, door mounting screws and back plate mounting feet), 2 NO/NC auxiliary contacts mounted on the switch, and a cable harness to connect the ATyS DT switch body to the C66 controller.

Rating (A)	Frame size	N° of poles ⁽¹⁾	ATyS DT	ATyS DT spare switch	ATyS DT spare harness	Terminal screens	Additional auxiliary contacts
100	F1	3 P	98A0 3010	9800 3010	9896 4000	9698 3020	9699 0021
		3 P ⁽²⁾	9880 3010		9897 4000		
		3 P+SN	98A1 3010	9801 3010	9896 4000	9698 4020	
		4 P	98A0 4010	9800 4010			
200		3 P	98A0 3020	9800 3020	9897 4000	9698 3020	
		3 P ⁽²⁾	9880 3020		9896 4000		
		3 P+SN	98A1 3020	9801 3020		9896 4000	
		4 P	98A0 4020	9800 4020			
260	F2	3 P	98A0 3026	9800 3026	9897 4000	9698 3040	
		3 P ⁽²⁾	9880 3026		9896 4000		9698 4040
		3 P+SN	98A1 3026	9801 3026		9896 4000	
		4 P	98A0 4026	9800 4026			
400		3 P	98A0 3040	9800 3040	9897 4000	9698 3040	
		3 P ⁽²⁾	9880 3040		9896 4000		9698 4040
		3 P+SN	98A1 3040	9801 3040		9896 4000	
		4 P	98A0 4040	9800 4040			

(1) Switches with "+SN" include a solid neutral pole, all other configurations include fully rated switched poles.

(2) Product references include specific harness for 480 V.a.c networks without neutral connector. Transformer is not included and must be purchased separately contact us.

ATyS FT - ATyS DT

Automatic Transfer Switching Equipment
from 100 to 400 A

Accessories

Terminal screens

Use

Top and bottom terminal screens to protect from direct contact to the terminals. These protection screens can be locked and secured on the switch, are pre-cut for all compatible wire sizes and include holes for voltage and heat sensing.

Rating (A)	No. of poles	Reference ⁽¹⁾
100 ... 200 A	2 P	9698 2020
	3 P / 2 P + N	9698 3020
	4 P / 3 P + N	9698 4020
260 ... 400 A	2 P	9698 2040
	3 P / 2 P + N	9698 3040
	4 P / 3 P + N	9698 4040

(1) Top and bottom.



atys-ul_022.eps

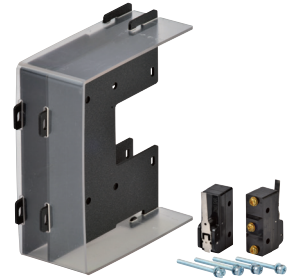
Additional auxiliary contact kit

Use

The ATyS FT and the ATyS DT ship with 2 NO/NC auxiliary contacts already mounted on the switch. If additional auxiliary contacts are needed this kit includes 2 additional auxiliary contacts as well as a polycarbonate protection cover to protect from direct contact on auxiliary contact terminals.

These additional auxiliary contacts are installed on top of the existing auxiliary contacts.

Electrical characteristics		Reference
Rated current (125-480 VAC)	22 A	9699 0021
Rated current (125 VDC)	0.5 A	
Rated current (250 VDC)	0.25 A	
Rated horse power up to 250 VAC	½ HP	
Rated horse power up to 480 VAC	¼ HP	
Recommended wire section	10 AWG 4 mm ²	



atys-ul_023.eps

Characteristics according to UL 1008 and CSA-C22.2 No. 178.1-14

100 to 400 A

General use rating (A)	100	200	260	400
Frame size	F1		F2	
Compatible voltage networks	240 V 2 wires, 208 V 3 wires, 120 V 2 wires, 120/240 V 3 wires, 120/208 V 4 wires, 277/480 V 4 wires, 480 V 3 wires			
Short circuit rating at 480 VAC with fuses (kA)				
Short circuit current (kA)	100	100	100	100
Fuse link	J	J	J	J
Fuse rating (A)	400	400	600	600
Short circuit rating three phase at 480 VAC with "specific breaker" (kA)				
Square D : DC , FI , HD , HG , HJ , HL 100 A	50	50	-	-
Square D : JD, JG , JJ , JL 250 A	50	50	-	-
Square D : JJ, JL, JR 250 A	-	-	100	100
Schneider Electric NSX 400 A	-	-	65	65
Siemens 3VA5 100 A	50	50	-	-
Siemens 3VA5 , 3VA6 150 A	50	50	-	-
Siemens 3VA5 , 3VA6 250 A	50	50	65	65
Eaton FCL , JGS , JGH , JGC 250 A	35	35	-	-
Eaton LGH 400 A	-	-	50	50
GE SFL 250 A	-	-	65	65
Short circuit rating single phase at 240 VAC with "specific breaker" (kA)				
Square D : DC , FI , HD , HG , HJ , HL 100 A	50	50	-	-
Square D : JD, JG , JJ , JL 250 A	50	50	-	-
Siemens 3VA5 , 3VA6 250 A	-	-	65	65
Eaton LGH 400 A	-	-	50	50
GE SFL 250 A	-	-	100	100
Rated operational current (A)				
Up to 480 VAC "Resistive load"	100	200	260	400
Up to 480 VAC "Total system"	100	200	260	400
Mechanical endurance				
Endurance (number of operating cycles)	6050			
Connection terminal				
Min. connection section (AWG)	#6, 14 AWG	#6	#4	#4
Max. connection section (AWG)	1/0	250 KCMIL	300 KCMIL	600KCMIL
Associated lugs	CMC LA300R , ILSCO D0957	CMC LA300R , ILSCO D2831	CMC LA630R, ILSCO D3096-22	
Power supply				
Switch Supply voltage (VAC)	194-304			
Controller supply voltage (VAC)	84-575			
Minimum Switching time⁽¹⁾ (ms)				
Contact transfer time Normal to Alternate ⁽²⁾	24	24	30	30
Contact transfer time Alternate to Normal ⁽²⁾	21	21	27	27
Total transfer time Normal to Alternate ⁽³⁾	100	100	100	100
Total transfer time Alternate to Normal ⁽³⁾	410	410	410	410

(1) All switching time measured offload, with 240 VAC networks may vary according to network voltage and load type.

(2) Time for which load is disconnected from both source 1 and source 2 with both sources available.

(3) Total time to transfer including detection of source failure and transfer times (all customer adjustable timers set to 0 and specific functions disabled).

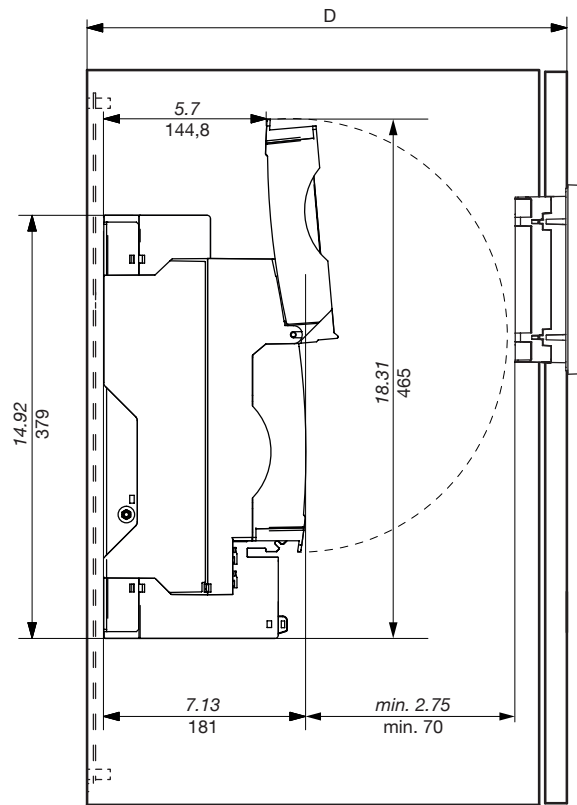
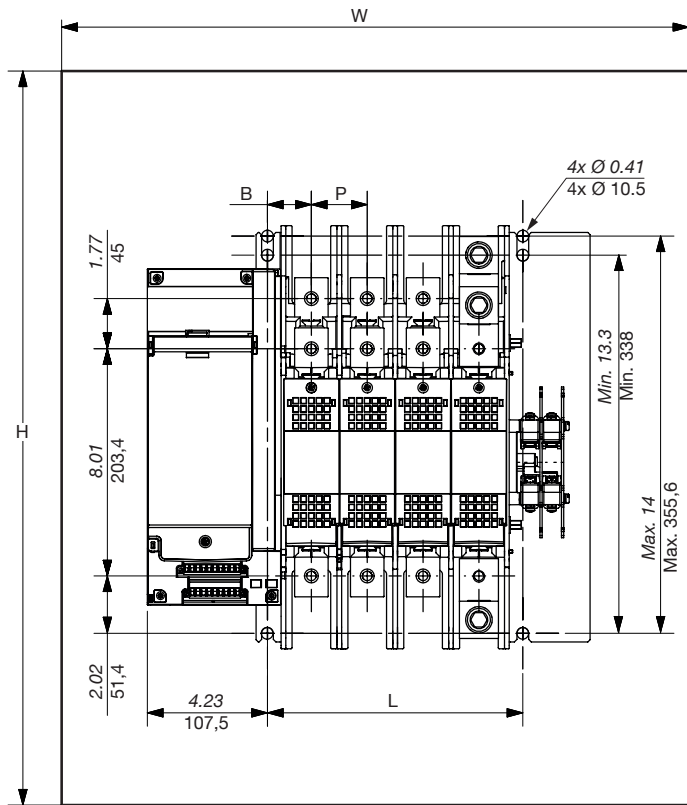
ATyS FT - ATyS DT

Automatic Transfer Switching Equipment
from 100 to 400 A

Dimensions

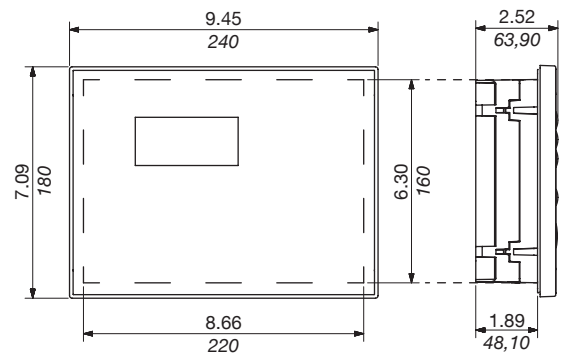
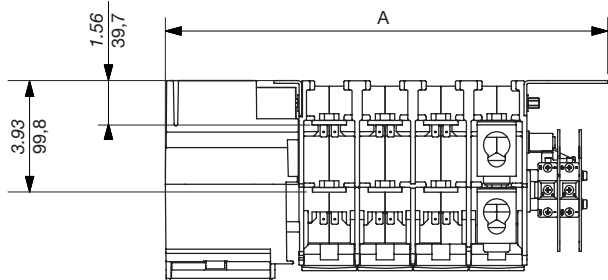
ATyS FT : Fast transfer I – II switch & controller

Switch dimensions



atys-ul_044_a_1_x_cat.ai

Controller dimensions

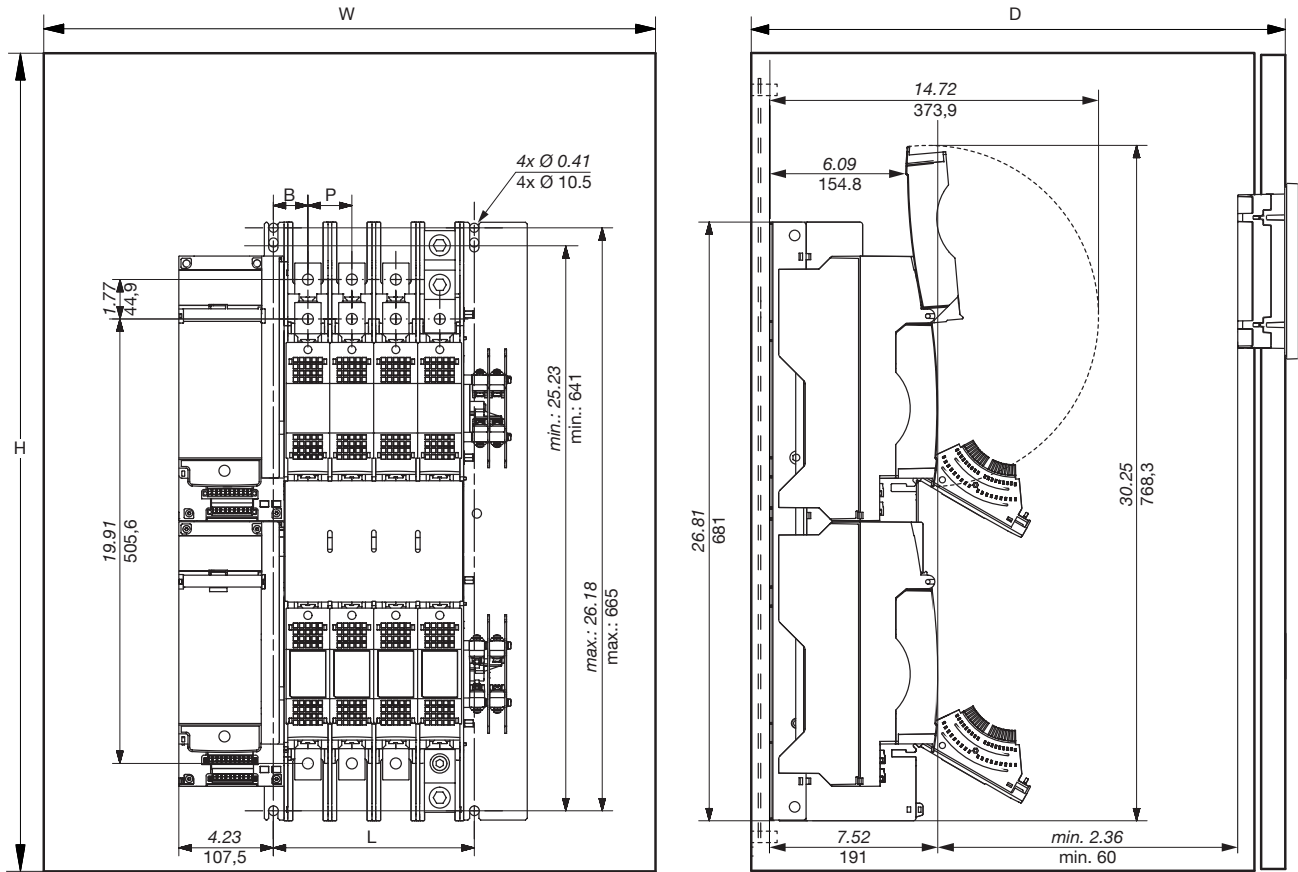


atys-ul_046_a_1_x_cat.ai

Rating (A)	Nb Poles	A		B		L		P		H		W		D	
		in	mm	in	mm	in	mm	in	mm	in	mm	in	mm	in	mm
100-200A	2 P	10.47	266,30	1.25	31,80	3.85	98,70	1.38	35	20	508	16	406	12	305
	2 P + N / 3 P	11.85	301,30	1.25	31,80	5.49	133,70	1.38	35	20	508	16	406	12	305
	3 P + N / 4 P	13.24	336,30	1.25	31,80	6.60	168,70	1.38	35	20	508	16	406	12	305
260-400A	2 P	11.67	296,30	1.55	39,30	5	128,60	1.97	50	48	1220	24	610	12	305
	2 P + N / 3 P	13.63	346,30	1.55	39,30	7	178,60	1.97	50	48	1220	24	610	12	305
	3 P + N / 4 P	15.60	396,30	1.55	39,30	8.97	228,60	1.97	50	48	1220	24	610	12	305

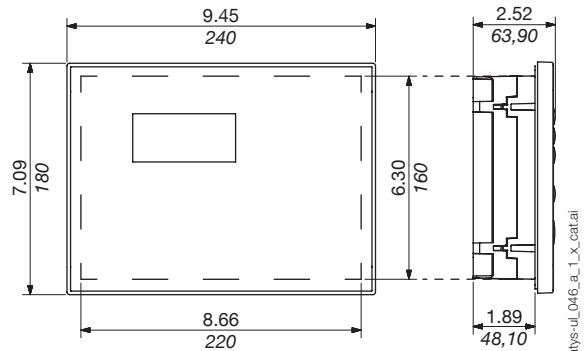
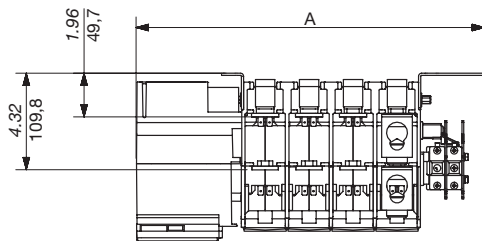
ATyS DT : Delayed transition I – II switch with center off switch & controller

Switch dimensions



atys-ul_045_a_1_x_cat.ai

Controller dimensions



atys-ul_046_a_1_x_cat.ai

Rating (A)	Nb Poles	A		B		L		P		H		W		D	
		in	mm	in	mm	in	mm	in	mm	in	mm	in	mm	in	mm
100-200A	2 P + N / 3 P	11.85	301,30	1.25	31,80	5.49	133,70	1.38	35	36	915	16	407	12	305
	3 P + N / 4 P	13.24	336,30	1.25	31,80	6.60	168,70	1.38	35	36	915	16	407	12	305
260-400A	2 P + N / 3 P	13.63	346,30	1.55	39,30	7	178,60	1.97	50	60	1524	24	610	12	305
	3 P + N / 4 P	15.60	396,30	1.55	39,30	8.97	228,60	1.97	50	60	1524	24	610	12	305