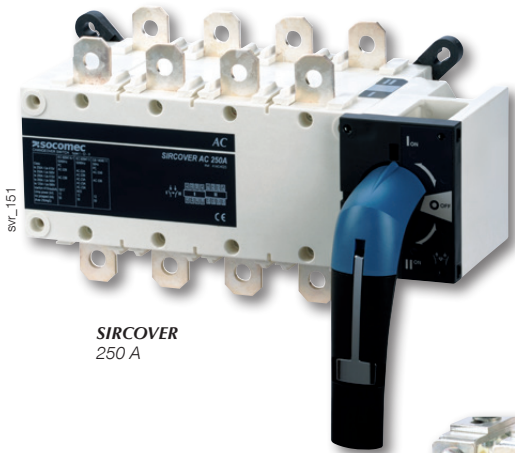




# SIRCOVER

Manual Transfer Switching Equipment  
from 125 to 3200 A

Transfer switches



SIRCOVER  
250 A



SIRCOVER Bypass  
500 A

## The solution for

- > Manufacturing
- > Power distribution



## Strong points

- > Complete range
- > Easy to connect
- > Stable positions
- > On-load switching

## Conformity to standards

- > IEC 60947-6,-1
- > IEC 60947-3
- > GB/T 14048-11



## Approvals and certifications<sup>(1)</sup>



BUREAU  
VERITAS

<sup>(1)</sup> Product references on request.

## SIRCOVER in enclosure



See "Enclosed transfer switches".

## Function

SIRCOVER products are manually operated transfer switches with positive break indication. There are 4 ranges in the series:

- **SIRCOVER** for open transition switching (I-0-II) available in 3 or 4 pole.
- **SIRCOVER** for overlapping contact switching (I-I+II-II). For applications where both sources are synchronised and there is to be no interruption to the load supply during transfer - available in 3 or 4 pole.
- **SIRCOVER Bypass**. This combination of three interlocked load break switches provides 3+6 or 4+8 poles for bypass applications.
- **SIRCOVER Bypass** for overlapping contact switching (I-I+II-II). This combination of three interlocked load break switches provides bypass to an UPS or other devices when sources are synchronised and the UPS is in static bypass mode.

They provide on-load transfer between two sources for any low voltage power circuit, as well as safety isolation by double breaking per pole. Other applications include source inversion (e.g. to change the direction of a motor) or grounding/earthing.

## Advantages

### A complete range

There are 4 SIRCOVER models to meet every need: The standard model I-0-II, the overlapping contact model I-I+II-II, the bypass model and the bypass with overlapping contact model I-I+II-II.

### Easy to connect

For ratings of 2000 to 3200 A, we offer copper bar connection pieces. This gives you the option of different connection methods - flat, edgewise with top or bottom bridging.

### Stable positions

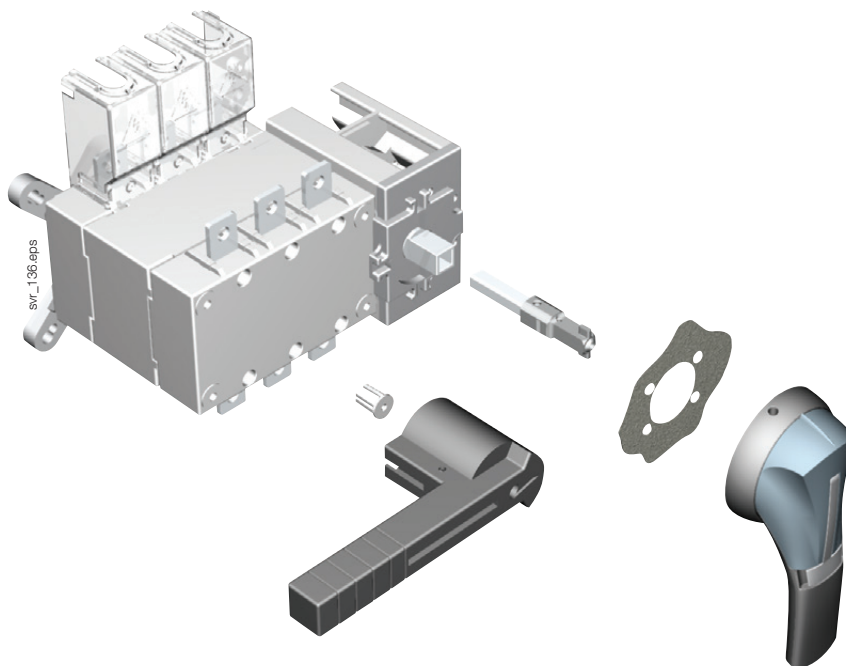
SIRCOVER devices have three stable positions, unaffected by voltage fluctuations and vibrations, protecting your loads from network disturbances.

### On-load switching

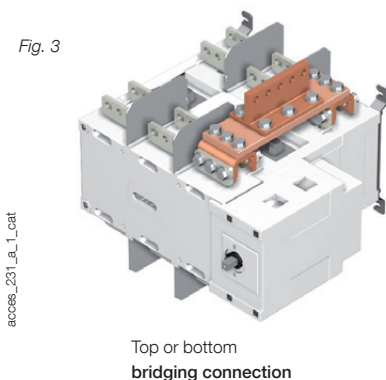
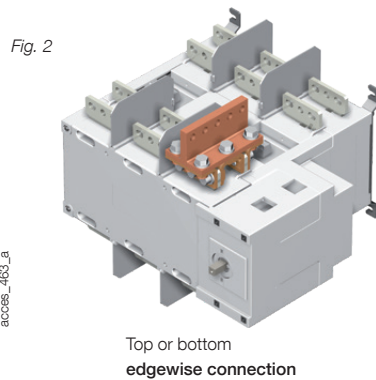
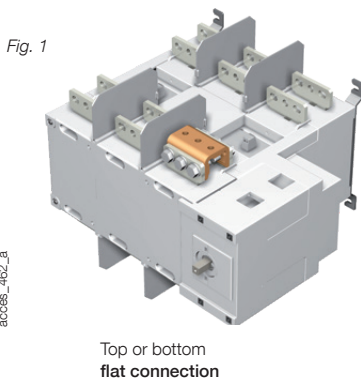
With its AC-23 and AC-33 characteristics, tested according to standards IEC 60947-3 and IEC 60947-6-1, the SIRCOVER enables safe on-load switching for any type of load. With its on-load transfer capabilities, it is not necessary to isolate loads prior to transfer therefore the SIRCOVER offers an economical solution.

### What you need to know

- SIRCOVER with **break-before-make contacts (I-0-II)** are available as 3 or 4 pole models with ratings of 125 to 3200 A. They are available in steel or polyester enclosures (125 to 1600 A).
- SIRCOVER switches with **3 overlapping contact positions (I-I+II-II)** are available as 3 or 4 pole models from 125 to 1600 A. They are available in steel enclosures.
- With **break-before-make (I-0-II)** or overlapping contact positions (I-I+II-II), SIRCOVER Bypass devices are a combination of three interlocked switches enabling the use with 3+6 or 4+8 poles from 125 to 1600 A. They are available in steel enclosures.
- All SIRCOVER can be operated with **direct front operation** or **external handles**.



- **Connection pieces for copper bars** allows the connection between the 2 power terminals of the same pole (Fig. 1 and 2) and the bridging of switch I and switch II on the top or the bottom for ratings 2000, 2500 and 3200 A (Fig. 3).



# SIRCOVER

Manual Transfer Switching Equipment  
from 125 to 3200 A

## References

### SIRCOVER I-0-II

Rating(A) / Frame size	No. of poles	Switch body	Direct handle	External handle	Shaft for external handle	Bridging bars <sup>(6)</sup>	Auxiliary contact	Terminal shrouds	Terminal screens
125 A / B3	3 P	41AC 3013	J2 type Blue 1122 1111 Red 1123 1111	S2 type Black  IP55 1421 2113  IP65 1423 2113 <sup>(1)</sup>	200 mm 1400 1020	3 P 4109 3019 4 P 4109 4019	1 <sup>st</sup> /2 <sup>nd</sup> NO/NC contact 4109 0021 <sup>(2)</sup>	3 P 2694 3014 <sup>(3)(4)</sup> 4 P 2694 4014 <sup>(3)(4)</sup>	3 P 1509 3012 4 P 1509 4012
	160 A / B3	4 P							
3 P		41AC 3016							
200 A / B3	4 P	41AC 4016							
	3 P	41AC 3020							
250 A / B4	4 P	41AC 4020							
	3 P	41AC 3025							
315 A / B4	4 P	41AC 4025							
	3 P	41AC 3031							
400 A / B4	4 P	41AC 4031							
	3 P	41AC 3040							
500 A / B5	4 P	41AC 4040							
	3 P	41AC 3050							
630 A / B5	4 P	41AC 4050							
	3 P	41AC 3063							
800 A / B6	4 P	41AC 4063							
	3 P	41AC 3080							
1000 A / B6	4 P	41AC 4080							
	3 P	41AC 3100							
1250 A / B6	4 P	41AC 4100							
	3 P	41AC 3120							
1600 A / B7	4 P	41AC 4120							
	3 P	41AC 3160							
2000 A / B8	4 P	41AC 4160							
	3 P	41AC 3200							
2500 A / B8	4 P	41AC 4200							
	3 P	41AC 3250							
3200 A / B8	4 P	41AC 4250							
	3 P	41AC 3320							
	4 P	41AC 4320							
			J3 type Black 1132 1111	S4 type Black IP65 1443 3113	200 mm 1401 1520  320 mm 1401 1532 <sup>(1)</sup>	3 P 4109 3080 4 P 4109 4080  4109 3120 4109 4120 4109 3160 4109 4160		3 P 1509 3080 4 P 1509 4080  1509 3160 1509 4160	
			S5 type Black 2799 7042	S5 type Black IP65 1453 8113	200 mm 2799 3015  320 mm 2799 3018 <sup>(1)</sup>  450 mm 2799 3019	<sup>(5)</sup>	1 <sup>st</sup> and 2 <sup>nd</sup> NO/NC contact included	included	

(1) Standard.

(2) 2 contacts supplied: one for position I and one for position II.

(3) For complete shrouding at front, rear, top and bottom, order quantity 4; if equipped with bridging bars order quantity 3.

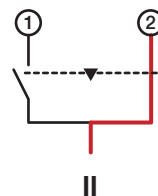
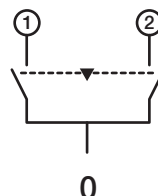
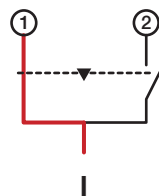
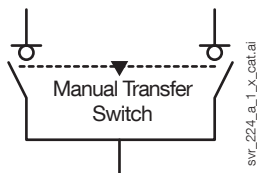
(4) For top and bottom shrouding for the front only, order quantity 2.

(5) See "Copper bar connection pieces".

(6) For a 3 pole device order quantity 3 bridging bars, for a 4 pole device order quantity 4.

## Operating principle

### SIRCOVER I-0-II



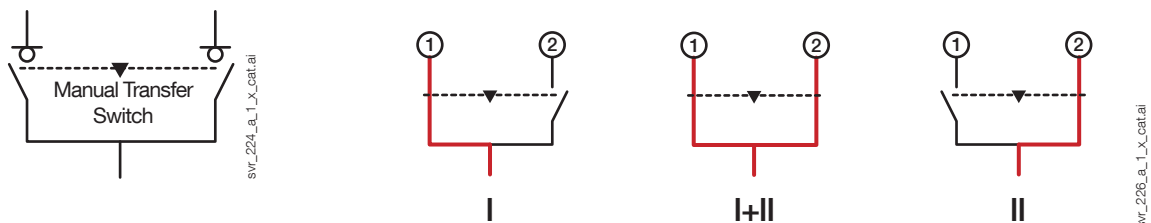
**SIRCOVER I-I+II-II**

Rating (A) / Frame size	No. of poles	Switch body	Direct handle	External handle	Shaft for external handle	Bridging bars <sup>(6)</sup>	Auxiliary contact	Terminal shrouds	Terminal screens
125 A / B3	3 P	4190 3013	J2 type  Blue 1122 1111  Red 1123 1111	S2 type Blue IP65 1423 2114	200 mm 1400 1020	3 P 4109 3019 4 P 4109 4019	1 <sup>st</sup> /2 <sup>nd</sup> NO/NC contact 4109 0021 <sup>(2)</sup>	3 P 2694 3014 <sup>(3)(4)</sup> 4 P 2694 4014 <sup>(3)(4)</sup>	3 P 1509 3012 4 P 1509 4012
	160 A / B3	4 P							
3 P		4190 3016							
200 A / B3	4 P	4190 4016							
	3 P	4190 3019							
250 A / B4	4 P	4190 4019							
	3 P	4190 3025							
400 A / B4	4 P	4190 4025							
	3 P	4190 3039							
630 A / B5	4 P	4190 4039							
	3 P	4190 3063							
800 A / B6	4 P	4190 4063							
	3 P	4190 3080							
1250 A / B6	4 P	4190 4080							
	3 P	4190 3120							
1600 A / B7	4 P	4190 4120							
	3 P	4190 3160							
	4 P	4190 4160							
	3 P	4190 3160							

(1) Standard.  
 (2) 2 contacts supplied: one for position I and one for position II.  
 (3) For complete shrouding at front, rear, top and bottom, order quantity 4; if equipped with bridging bars order quantity 3.  
 (4) For top and bottom shrouding for the front only, order quantity 2.  
 (5) See "Copper bar connection pieces".  
 (6) For a 3 pole device order quantity 3 bridging bars, for a 4 pole device order quantity 4.

**Operating principle**

**SIRCOVER I-I+II-II**



**Warning:** Please note that in position I+II contacts overlap.  
 In case of UPS, make sure it is working in static bypass mode before operating.

# SIRCOVER

Manual Transfer Switching Equipment  
from 125 to 3200 A

## References (continued)

### SIRCOVER Bypass I-0-II

Rating (A) / Frame size	No. of poles	Switch body	Direct handle	External handle	Shaft for external handle	Bridging bars <sup>(6)</sup>	Auxiliary contact	Terminal shrouds	Terminal screens
125 A / B3	3 P	41AC 7013	J2 type Blue 1122 1111	S2 type Blue IP55 1421 2113	200 mm 1400 1020	3 P 2x 4109 3019	1 <sup>st</sup> /2 <sup>nd</sup> NO/NC contact 4109 0021 <sup>(2)</sup>	3 P 2694 3014 <sup>(3)(4)</sup>	3 P 1509 3012
	4 P	41AC 9013							
160 A / B3	3 P	41AC 7016	Red 1123 1111	Blue IP65 1423 2113 <sup>(1)</sup>	320 mm 1400 1032 <sup>(1)</sup>	4 P 2x 4109 4019		3 P 2694 3014 <sup>(3)(4)</sup>	3 P 1509 3012
	4 P	41AC 9016							
200 A / B3	3 P	41AC 7020	J3 type Black 1132 1111	S3 type Blue IP65 1433 3113	200 mm 1401 1520	2x 4109 3025		3 P 2694 3021 <sup>(3)(4)</sup>	3 P 1509 3025
	4 P	41AC 9020							
250 A / B4	3 P	41AC 7025	J3 type Black 1132 1111	S3 type Blue IP65 1433 3113	320 mm 1401 1532 <sup>(1)</sup>	2x 4109 3039		3 P 2694 3021 <sup>(3)(4)</sup>	3 P 1509 3025
	4 P	41AC 9025							
400 A / B4	3 P	41AC 7040	J3 type Black 1132 1111	S3 type Blue IP65 1433 3113	320 mm 1401 1532 <sup>(1)</sup>	2x 4109 4039		3 P 2694 3021 <sup>(3)(4)</sup>	3 P 1509 3025
	4 P	41AC 9040							
630 A / B5	3 P	41AC 7063	J4 type Black 1142 1111 <sup>(5)</sup>	V2 type Black IP65 4199 7146	200 mm 2799 3015	2x 4109 3063	3 P 2694 3051 <sup>(3)(4)</sup>	3 P 1509 3063	
	4 P	41AC 9063							4 P 2694 4051 <sup>(3)(4)</sup>
800 A / B6	3 P	41AC 7080	J4 type Black 1142 1111 <sup>(5)</sup>	V2 type Black IP65 4199 7146	320 mm 2799 3018 <sup>(1)</sup>	2x 4109 3080	3 P 2694 3051 <sup>(3)(4)</sup>	3 P 1509 3080	
	4 P	41AC 9080							4 P 2694 4051 <sup>(3)(4)</sup>
1250 A / B6	3 P	41AC 7120	J4 type Black 1142 1111 <sup>(5)</sup>	V2 type Black IP65 4199 7146	320 mm 2799 3018 <sup>(1)</sup>	2x 4109 3120	3 P 2694 3051 <sup>(3)(4)</sup>	3 P 1509 3080	
	4 P	41AC 9120							4 P 2694 4051 <sup>(3)(4)</sup>
1600 A / B7	3 P	41AC 7160	J4 type Black 1142 1111 <sup>(5)</sup>	V2 type Black IP65 4199 7146	450 mm 2799 3019	2x 4109 3160	3 P 2694 3051 <sup>(3)(4)</sup>	3 P 1509 3160	
	4 P	41AC 9160							4 P 2694 4051 <sup>(3)(4)</sup>

(1) Standard.

(2) 2 contacts supplied: one for position I and one for position II.

(3) For complete shrouding at front, rear, top and bottom, order quantity 6; if equipped with bridging bars order quantity 4.

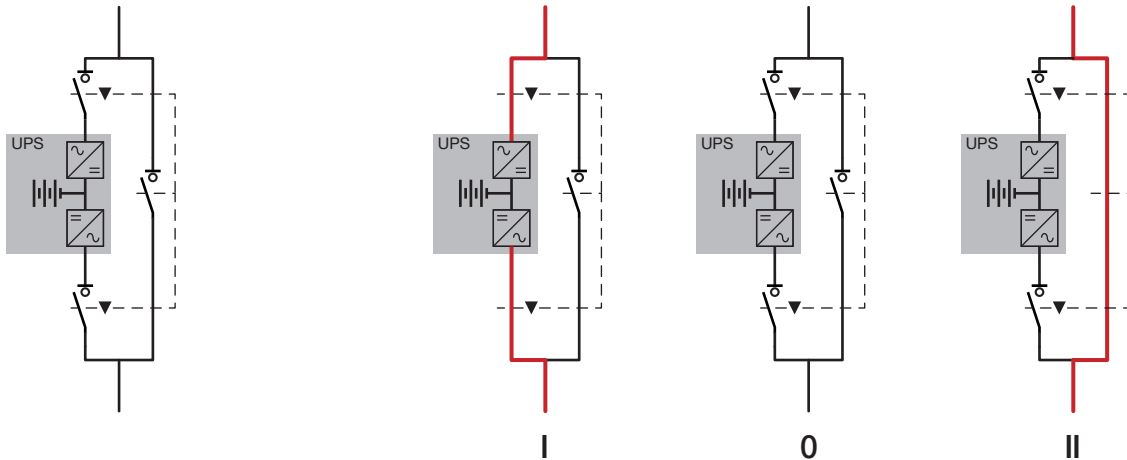
(4) For top and bottom shrouding for the front only, order quantity 2.

(5) Double lever handle.

(6) For a 3 pole device order quantity 6 bridging bars, for a 4 pole device order quantity 8.

## Operating principle

### SIRCOVER Bypass I-0-II



svr\_227\_a\_1\_x\_cat.ai

### SIRCOVER Bypass I-I+II-II

Rating (A) / Frame size	No. of poles	Switch body	Direct handle	External handle	Shaft for external handle	Bridging bars <sup>(6)</sup>	Auxiliary contact	Terminal shrouds	Terminal screens
125 A / B3	3 P	46AC 7013	J2 type Blue 1122 1111	S2 type Blue IP 65 1423 2114 <sup>(1)</sup>	200 mm 1400 1020	3 P 2x 4109 3019		3 P 2694 3014 <sup>(3)(4)</sup>	3 P 1509 3012
	4 P	46AC 9013							
160 A / B3	3 P	46AC 7016	Red 1123 1111		320 mm 1400 1032 <sup>(1)</sup>	4 P 2x 4109 4019			
	4 P	46AC 9016							
200 A / B3	3 P	46AC 7020							
	4 P	46AC 9020							
250 A / B4	3 P	46AC 7025	J3 type Black 1132 1111	S3 type Blue IP65 1433 3114	200 mm 1401 1520	2x 4109 3025	1 <sup>st</sup> /2 <sup>nd</sup> NO/NC contact 4109 0021 <sup>(2)</sup>	3 P 2694 3021 <sup>(3)(4)</sup>	3 P 1509 3025
	4 P	46AC 9025							
400 A / B4	3 P	46AC 7040			320 mm 1401 1532 <sup>(1)</sup>	2x 4109 3039			
	4 P	46AC 9040							
630 A / B5	3 P	46AC 7063				2x 4109 3063		2694 3051 <sup>(3)(4)</sup>	1509 3063
	4 P	46AC 9063							
800 A / B6	3 P	46AC 7080	J4 type Black 1142 1111 <sup>(5)</sup>	V2 type Black IP65 4199 7146	200 mm 2799 3015	2x 4109 3080			
	4 P	46AC 9080							
1250 A / B6	3 P	46AC 7120			320 mm 2799 3018 <sup>(1)</sup>	2x 4109 3120			
	4 P	46AC 9120							
1600 A / B7	3 P	46AC 7160			450 mm 2799 3019	2x 4109 3160			1509 3160
	4 P	46AC 9160							

(1) Standard.

(2) 2 contacts supplied: one for position I and one for position II.

(3) For complete shrouding at front, rear, top and bottom, order quantity 6; if equipped with bridging bars order quantity 4.

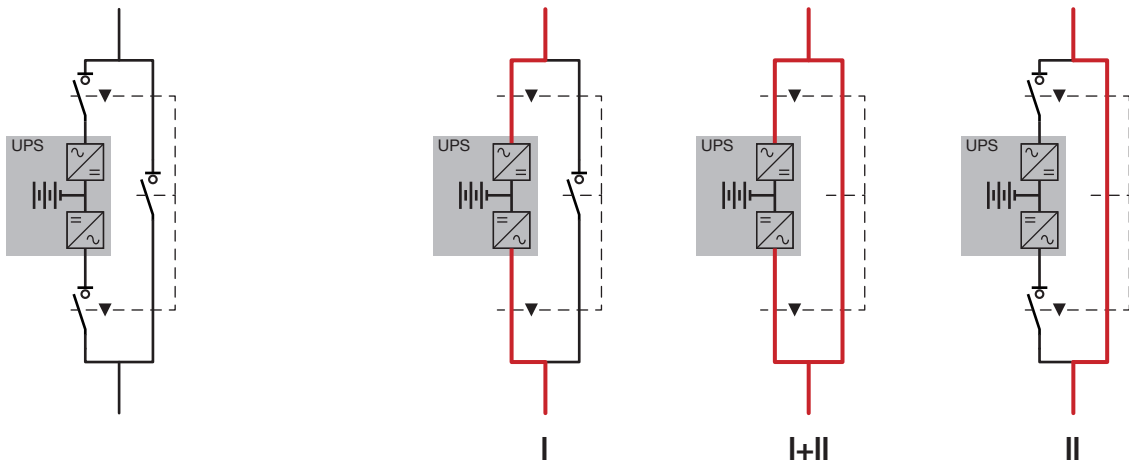
(4) For top and bottom shrouding for the front only, order quantity 2.

(5) Double lever handle.

(6) For a 3 pole device order quantity 6 bridging bars, for a 4 pole device order quantity 8.

### Operating principle

#### SIRCOVER Bypass I-I+II-II



svr\_228\_a\_1\_x\_cat.ai

**Warning:** Please note that in position I+II contacts overlap.  
In case of UPS, make sure it is working in static bypass mode before operating.

# SIRCOVER

Manual Transfer Switching Equipment  
from 125 to 3200 A

## Accessories

### Direct operation handle

SIRCOVER I-0-II and I-I+II-II				
Rating (A)	Frame size	Handle colour	Handle type	Reference
125 ... 630	B3 ... B5	Blue	J2	1122 <b>1111</b>
125 ... 630	B3 ... B5	Red	J2	1123 <b>1111</b>
800 ... 1600	B6 ... B7	Blue	J3	1132 <b>1111</b>
2000 ... 3200	B8	Black	S5	2799 <b>7042</b> <sup>(1)</sup>

SIRCOVER Bypass				
Rating (A)	Frame size	Handle colour	Handle type	Reference
125 ... 200	B3	Blue	J2	1122 <b>1111</b>
250 ... 630	B4 ... B5	Blue	J3	1132 <b>1111</b>
800 ... 1600	B6 ... B7	Blue	J4	1142 <b>1111</b> <sup>(1)</sup>

(1) Double lever handle.



### External operation handle

#### Use

Door interlocked external front operation handles include an escutcheon, are padlockable and must be utilised with an extension shaft.

SIRCOVER I-0-II and I-I+II-II					
Rating (A)	Frame size	Switching type	External IP <sup>(1)</sup>	Handle type	Reference
125 ... 630	B3 ... B5	I - 0 - II	IP55	S2	1421 <b>2113</b>
125 ... 630	B3 ... B5	I - 0 - II	IP65	S2	1423 <b>2113</b>
125 ... 630	B3 ... B5	I - I+II - II	IP65	S2	1423 <b>2114</b>
800 ... 1600	B6 ... B7	I - 0 - II	IP65	S4	1443 <b>3113</b> <sup>(2)</sup>
800 ... 1600	B6 ... B7	I - I+II - II	IP65	S4	1443 <b>3114</b> <sup>(2)</sup>
2000 ... 3200	B8	I - 0 - II	IP65	S5	1453 <b>8113</b> <sup>(2)</sup>

(1) IP: protection index according to IEC 60529.

(2) Double lever handle.

SIRCOVER Bypass					
Rating (A)	Frame size	Switching type	External IP <sup>(1)</sup>	Handle type	Reference
125 ... 200	B3	I - 0 - II	IP55	S2	1421 <b>2113</b>
125 ... 200	B3	I - 0 - II	IP65	S2	1423 <b>2113</b>
250 ... 630	B4 ... B5	I - 0 - II	IP65	S3	1433 <b>3113</b>
800 ... 1600	B6 ... B7	I - 0 - II	IP65	V2	4199 <b>7146</b>

(1) IP: protection index according to IEC 60529.



## Alternative S type handle cover colours

### Use

For single lever handles S2, S3 and for double lever handle S4.  
Other colours available: consult us.

Colour	To be ordered in multiples of	Handle type	Reference
Light grey	50	S2, S3	1401 0001
Dark grey	50	S2, S3	1401 0011
Light grey	50	S4	1401 0031
Dark grey	50	S4	1401 0041



access\_188.eps

## S type handle adapter

### Use

Enables S type handles to be fitted in place of existing older style SOCOMEC handles. Adapter can also be utilised as a spacer to increase the distance between the panel door and the handle lever.

### Dimensions

Add 12 mm to the handle depth.

Colour	To be ordered in multiples of	External IP <sup>(1)</sup>	Reference
Black	1	IP65	1493 0000

(1) IP: protection index according to IEC 60529.



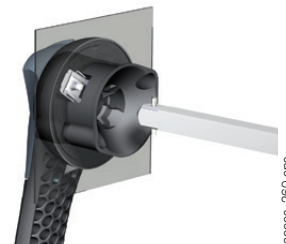
access\_187.eps

## Shaft guide for external operation

### Use

For use with S type handles, to guide the shaft extension into the external handle. This accessory enables the handle to engage the extension shaft with a misalignment of up to 15 mm. Recommended for a shaft length over 320 mm.

Designation	Reference
Shaft guide	1429 0000



access\_260.eps



# SIRCOVER

Manual Transfer Switching Equipment  
from 125 to 3200 A

## Accessories (continued)

### Shaft for external operation

#### Use

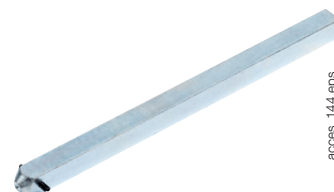
Standard lengths:

- 200 mm,
- 320 mm,
- 450 mm.

Other lengths available: consult us.



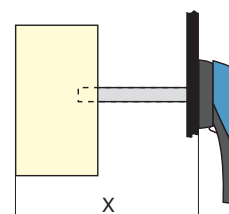
access\_269.eps



access\_144.eps

SIRCOVER I-0-II and I-I+II-II				
Rating (A)	Frame size	Length (mm)	Side X (mm)	Reference
125 ... 400	B3 ... B4	200	210 ... 310	1400 <b>1020</b>
125 ... 400	B3 ... B4	320	210 ... 430	1400 <b>1032</b>
500 ... 630	B5	200	280 ... 390	1400 <b>1020</b>
500 ... 630	B5	320	280 ... 510	1400 <b>1032</b>
800 ... 1600	B6 ... B7	200	425 ... 577	1401 <b>1520</b>
800 ... 1600	B6 ... B7	320	425 ... 697	1401 <b>1532</b>
2000 ... 3200	B8	200	653 ... 803	2799 <b>3015</b>
2000 ... 3200	B8	320	653 ... 923	2799 <b>3018</b>
2000 ... 3200	B8	450	653 ... 1053	2799 <b>3019</b>

SIRCOVER Bypass				
Rating (A)	Frame size	Length (mm)	Side X (mm)	Reference
125 ... 200	B3	200	320 ... 450	1400 <b>1020</b>
125 ... 200	B3	320	320 ... 570	1400 <b>1032</b>
250 ... 400	B4	200	298 ... 420	1401 <b>1520</b>
250 ... 400	B4	320	298 ... 540	1401 <b>1532</b>
630	B5	200	417 ... 539	1401 <b>1520</b>
630	B5	320	417 ... 659	1401 <b>1532</b>
800 ... 1600	B6 ... B7	200	550 ... 680	2799 <b>3015</b>
800 ... 1600	B6 ... B7	320	550 ... 800	2799 <b>3018</b>
800 ... 1600	B6 ... B7	450	550 ... 930	2799 <b>3019</b>



access\_202\_a\_1\_x\_cat.eps

### Bridging bars

#### Use

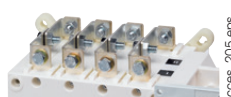
For creating a common connection between switches I & II, on the top or bottom side of the SIRCOVER, to enable, for example, the load to be fed from either incoming source (I or II).

For SIRCOVER Bypass, twice the quantity of bridging bars are required (6 for 3 pole device and 8 for 4 pole).

Rating (A)	Frame size	No. of poles	Diameter (mm)	Reference <sup>(1)</sup>
125 ... 200	B3	3 P	20 x 2.5	4109 <b>3019</b>
125 ... 200	B3	4 P	20 x 2.5	4109 <b>4019</b>
250	B4	3 P	25 x 2.5	4109 <b>3025</b>
250	B4	4 P	25 x 2.5	4109 <b>4025</b>
315 ... 400	B4	3 P	32 x 5	4109 <b>3039</b>
315 ... 400	B4	4 P	32 x 5	4109 <b>4039</b>
500	B5	3 P	32 x 5	4109 <b>3050</b>
500	B5	4 P	32 x 5	4109 <b>4050</b>
630	B5	3 P	50 x 5	4109 <b>3063</b>
630	B5	4 P	50 x 5	4109 <b>4063</b>
800 ... 1000	B6	3 P	50 x 6	4109 <b>3080</b>
800 ... 1000	B6	4 P	50 x 6	4109 <b>4080</b>
1250	B6	3 P	60 x 8	4109 <b>3120</b>
1250	B6	4 P	60 x 8	4109 <b>4120</b>
1600	B7	3 P	90 x 10	4109 <b>3160</b>
1600	B7	4 P	90 x 10	4109 <b>4160</b>

(1) SIRCOVER: For a 3 pole device order quantity 3 bridging bars, and for a 4 pole device order quantity 4.  
SIRCOVER Bypass: For a 3 pole device order quantity 6 bridging bars, and for a 4 pole device order quantity 8.

#### SIRCOVER I-0-II and SIRCOVER I-I+II-II

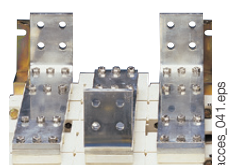


access\_205.eps

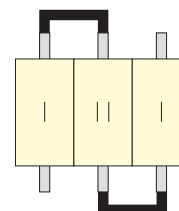
#### SIRCOVER Bypass



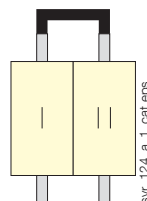
access\_208.eps



access\_041.eps



sw\_066\_a\_1\_x\_cat.eps



sw\_124\_b\_1\_cat.eps

## Copper bar connection pieces

### Use

For ratings 2000 to 3200 A.

Enables:

- Flat connection: the connection pieces provide a link between the two power terminals of the same pole (Fig. 1).
- Edgewise connection: the connection pieces provide a link between the two power terminals of the same pole and an edgewise bar connection terminal.
- Top or bottom bridging between two poles (Fig. 3).

Once installed, the power terminal is connection ready.

For 3200 A rating, connection pieces (part A) are supplied as standard. Bolt sets must be ordered separately.

Connection: the quantities given in the below table refer to the number of pieces required per pole, top or bottom.

Bridging connection: the quantities given refer to the number of pieces required to complete a single bridging connection between two poles.

	Reference	2000 – 2500 A			3200 A		
		Fig. 1	Fig. 2	Fig. 3	Fig. 1	Fig. 2	Fig. 3
		Connection		Bridging connection I - II	Connection		Bridging connection I - II
		Flat	Edgewise			Flat	
Connection - part A	2619 1200	1	1	2 <sup>(2)</sup>	included	included	included
Bolt kit 35 mm - part B	2699 1201	1 <sup>(1)</sup>		2 <sup>(2)</sup>	1 <sup>(1)</sup>		2 <sup>(2)</sup>
Bolt kit 45 mm - part B	2699 1200	1 <sup>(1)</sup>			1 <sup>(1)</sup>		
T + Bolt kit - part C	2629 1200		1	1		1	1
Bracket + Bolt kit - part D	2639 1200		1			1	
Bar + Bolt kit - part E	4109 0320			1			1

(1) Choose the bolt length according to the thickness of the bars being connected; if bar thickness is greater than 20 mm, 45 mm bolts are required.

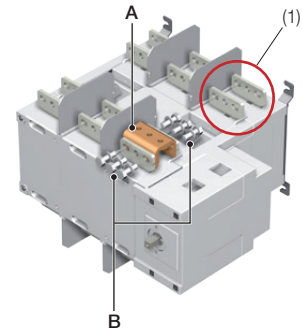
(2) For bridging connections, quantity 2 pieces are required for creating the link between the two power terminals of the same pole for switch bodies I and II.

The quantities of the applicable pieces then need to be multiplied by the number of connection points (power terminals) in order to determine the total quantity required of each part.

Example: for a 4 pole 2500 A SIRCOVER with upstream edgewise connection (Fig. 2) and downstream bridging (Fig. 3), the following quantities will be required:

Part	Upstream edgewise quantity	Downstream bridging quantity	Total quantity
A	8	8	16
B	0	8	8
C	8	4	12
D	8	0	8
E	0	4	4

Fig. 1



(1) Single pole connection: 1 pole (top or bottom) comprises two power terminals which are to be linked with the copper connection kit.

Fig. 2

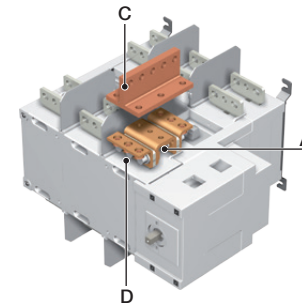
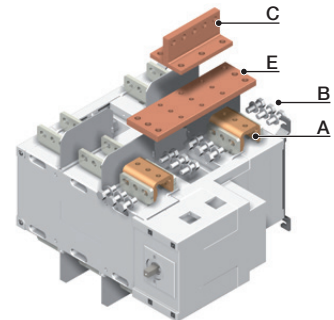


Fig. 3



## Auxiliary contact

### Use

Pre-breaking and signalling of positions I and II: 1 to 2 NO/NC auxiliary contacts in each position.

Low level AC: consult us.

### Connection to the control circuit

By 6.35 mm fast-on terminal.

### Electrical characteristics

30,000 operations.

### Characteristics

Rating (A)	Frame size	Nominal current (A)	Operating current I <sub>o</sub> (A)			
			250 VAC AC-13	400 VAC AC-13	24 VDC DC-13	48 VDC DC-13
125 ... 3200	B3... B8	16	12	8	14	6

### NO/NC changeover contact

Rating (A)	Frame size	Contact(s)	Reference
125 ... 1600	B3 ... B7	1 <sup>st</sup> / 2 <sup>nd</sup>	4109 0021
2000 ... 3200	B8	1 <sup>st</sup> / 2 <sup>nd</sup>	included



# SIRCOVER

Manual Transfer Switching Equipment  
from 125 to 3200 A

## Accessories (continued)

### Terminal shrouds

#### Use

Protection against direct contact with terminals or connecting parts.

#### Advantage

Perforations allow remote thermographic inspection without the need to remove the shrouds.

Rating (A)	Frame size	No. of poles	Position	Reference
125 ... 200	B3	3 P	top / bottom / front (I) / rear (II)	2694 3014 <sup>(1)(2)</sup>
125 ... 200	B3	4 P	top / bottom / front (I) / rear (II)	2694 4014 <sup>(1)(2)</sup>
250 ... 400	B4	3 P	top / bottom / front (I) / rear (II)	2694 3021 <sup>(1)(2)</sup>
250 ... 400	B4	4 P	top / bottom / front (I) / rear (II)	2694 4021 <sup>(1)(2)</sup>
500 ... 630	B5	3 P	top / bottom / front (I) / rear (II)	2694 3051 <sup>(1)(2)</sup>
500 ... 630	B5	4 P	top / bottom / front (I) / rear (II)	2694 4051 <sup>(1)(2)</sup>



access\_206.psd

(1) For complete shrouding at front, rear, top and bottom, order 4 x for a SIRCOVER and 6 x for a SIRCOVER Bypass; if equipped with bridging bars order 3 x for a SIRCOVER and 4 x for a SIRCOVER Bypass.

(2) For top and bottom shrouding for the front only, order 2 x for a SIRCOVER and a SIRCOVER Bypass.

### Terminal screens

#### Use

Upstream and downstream protection against direct contact with terminals or connection parts. For upstream and downstream protection, order quantity 1.

Rating (A)	Frame size	No. of poles	Position	Reference
125 ... 200	B3	3 P	top / bottom	1509 3012
125 ... 200	B3	4 P	top / bottom	1509 4012
250 ... 400	B4	3 P	top / bottom	1509 3025
250 ... 400	B4	4 P	top / bottom	1509 4025
500 ... 630	B5	3 P	top / bottom	1509 3063
500 ... 630	B5	4 P	top / bottom	1509 4063
800 ... 1250	B6	3 P	top / bottom	1509 3080
800 ... 1250	B6	4 P	top / bottom	1509 4080
1600	B7	3 P	top / bottom	1509 3160
1600	B7	4 P	top / bottom	1509 4160
2000 ... 3200	B8	3 / 4 P	top / bottom	included



access\_207.eps

### Inter-phase barrier

#### Use

Safe isolation between the terminals, essential for use at 690 VAC or in a polluted or dusty atmosphere.

Rating (A)	Frame size	No. of poles	Reference
125 ... 200	B3	3 P	2998 0033
125 ... 200	B3	4 P	2998 0034
250 ... 400	B4	3 P	2998 0023
250 ... 400	B4	4 P	2998 0024
500 ... 630	B5	3 P	2998 0013
500 ... 630	B5	4 P	2998 0014
800 ... 3200	B6 ... B8	3/4 P	included

## Key handle interlocking system

Padlocking in position I, 0 or II				
SIRCOVER Rating (A) / Frame size	SIRCOVER Bypass Rating (A) / Frame size	Operation	Figure	Reference
125 ... 630 / B3 ... B5	125 ... 200 / B3	external	1	1423 <b>2813</b>

Locking using RONIS EL11AP lock in position 0 (not included)				
SIRCOVER Rating (A) / Frame size	SIRCOVER Bypass Rating (A) / Frame size	Operation	Figure	Reference
125 ... 630 / B3 ... B5	125 ... 200 / B3	direct	2	4109 <b>1006</b> <sup>(1)</sup>
	250 ... 630 / B4 ... B5	direct	3	consult us
800 ... 1600 / B6 ... B7	800 ... 1600 / B6 ... B7	direct	3	4109 <b>1004</b> <sup>(2)</sup>
2000 ... 3200 / B8		direct	3	4109 <b>2007</b> <sup>(2)</sup>
125 ... 630 / B3 ... B5	125 ... 630 / B3 ... B5	external	4	1499 <b>7701</b> <sup>(2)</sup>
2000 ... 3200 / B8	800 ... 1600 / B6 ... B7	external	4	2799 <b>7002</b> <sup>(2)</sup>

(1) Specific handle included.

(2) This locking facility can be configured by the user in the 3 positions.

Locking using RONIS EL11AP lock in position I, 0, II (not included)				
SIRCOVER Rating (A) / Frame size	SIRCOVER Bypass Rating (A) / Frame size	Operation	Figure	Reference
125 ... 630 / B3 ... B5	125 ... 200 / B3	direct	2	4109 <b>1002</b> <sup>(1)</sup>
	250 ... 630 / B4 ... B5	direct	3	consult us
800 ... 1600 / B6 ... B7	800 ... 1600 / B6 ... B7	direct	3	4109 <b>1004</b> <sup>(2)</sup>
2000 ... 3200 / B8		direct	3	4109 <b>2007</b> <sup>(2)</sup>
125 ... 630 / B3 ... B5	125 ... 630 / B3 ... B5	external	4	1499 <b>7701</b> <sup>(2)</sup>
2000 ... 3200	800 ... 1600 / B6 ... B7	external	4	2799 <b>7002</b> <sup>(2)</sup>

(1) Specific handle included.

(2) This locking facility can be configured by the user in the 3 positions.

Locking using 230 VAC undervoltage coil in position 0 (factory fitted)				
SIRCOVER Rating (A) / Frame size	SIRCOVER Bypass Rating (A) / Frame size	Operation	Figure	Reference
800 ... 3200 / B6 ... B8	800 ... 1600 / B6 ... B7	direct	3	consult us

Locking using Type K CASTELL lock (not supplied)				
SIRCOVER Rating (A) / Frame size	SIRCOVER Bypass Rating (A) / Frame size	Operation	Figure	Reference
125 ... 1600 / B3 ... B7	125 ... 630 / B3 ... B5	external	4	1499 <b>7702</b>
2000 ... 3200 / B8	800 ... 1600 / B6 ... B7	external	4	2799 <b>7003</b>

### Use

- Padlocked (padlock not included). This device is factory mounted in the direct or external operation handle and allows the use of up to 3 padlocks.
- Locking:
  - using lock (not supplied),
  - using undervoltage coil.
- The interlocking positions are either determined as standard or configured by the user by removing the pre-form tabs.
- Padlocking and locking can be combined.

Fig. 1

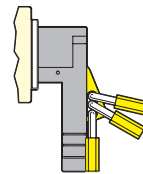
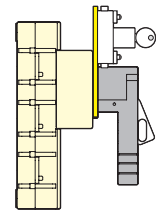


Fig. 2



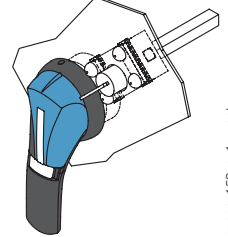
access\_061\_a\_1\_x\_cat

access\_001\_a\_1\_x\_cat

Fig. 3



Fig. 4



access\_132\_a\_1\_x\_cat

access\_158\_a\_1\_x\_cat

## Other specific accessories



bc\_03\_04\_01

- Customised protection screens (for specific dimensions or high ambient temperatures).
- Connection accessories.
- Low level auxiliary contacts.

## Characteristics according to IEC 60947-3 and IEC 60947-6-1

### 125 to 630 A

Thermal current I <sup>th</sup> at 40°C	125 A	160 A	200 A	250 A	315 A	400 A	500 A	630 A
Frame size	B3	B3	B3	B4	B4	B4	B5	B5
Rated insulation voltage U <sub>i</sub> (V)	800	800	800	1000	1000	1000	1000	1000
Rated impulse withstand voltage U <sub>imp</sub> (kV)	8	8	8	12	12	12	12	12
<b>Rated operational currents I<sub>e</sub> (A) according to IEC 60947-6-1</b>								
Rated voltage	Utilisation category	A/B <sup>(1)</sup>	A/B <sup>(1)</sup>	A/B <sup>(1)</sup>	A/B <sup>(1)</sup>	A/B <sup>(1)</sup>	A/B <sup>(1)</sup>	A/B <sup>(1)</sup>
415 VAC	AC-31 B	125	160	200	250	315	400	500
415 VAC	AC-32 B				200	315	400	500
415 VAC	AC-33 B				200	200	200	400
<b>Rated operational currents I<sub>e</sub> (A) according to IEC 60947-3</b>								
Rated voltage	Utilisation category	A/B <sup>(1)</sup>	A/B <sup>(1)</sup>	A/B <sup>(1)</sup>	A/B <sup>(1)</sup>	A/B <sup>(1)</sup>	A/B <sup>(1)</sup>	A/B <sup>(1)</sup>
415 VAC	AC-21 A / AC-21 B	125/125	160/160	200/200	250/250	315/315	400/400	500/500
415 VAC	AC-22 A / AC-22 B	125/125	160/160	200/200	250/250	315/315	400/400	500/500
415 VAC	AC-23 A / AC-23 B	125/125	160/160	200/200	200/200	315/315	400/400	500/500
500 VAC	AC-21 A / AC-21 B	125/125	160/160	200/200	250/250	315/315	400/400	500/500
500 VAC	AC-22 A / AC-22 B	125/125	160/160	200/200	200/250	200/315	200/400	500/500
500 VAC	AC-23 A / AC-23 B	80/80	80/80	80/80	200/200	200/200	200/200	400/400
690 VAC <sup>(3)</sup>	AC-21 A / AC-21 B	125/125	160/160	200/200	200/200	200/200	200/200	500/500
690 VAC <sup>(3)</sup>	AC-22 A / AC-22 B	125/125	125/125	125/125	160/160	160/160	160/160	400/400
690 VAC <sup>(3)</sup>	AC-23 A / AC-23 B	63/80	63/80	63/80	125/125	125/125	125/125	400/400
220 VDC	DC-21 A / DC-21 B	125/125	160/160	200/200	250/250	250/250	250/250	500/500
220 VDC	DC-22 A / DC-22 B	125/125	160/160	200/200	250/250	250/250	250/250	500/500
220 VDC	DC-23 A / DC-23 B	125/125	125/125	125/125	200/200	200/200	200/200	500/500
440 VDC <sup>(2)</sup>	DC-21 A / DC-21 B	125/125	125/125	125/125	200/200	200/200	200/200	500/500
440 VDC <sup>(2)</sup>	DC-22 A / DC-22 B	125/125	125/125	125/125	200/200	200/200	200/200	500/500
440 VDC <sup>(2)</sup>	DC-23 A / DC-23 B	125/125	125/125	125/125	200/200	200/200	200/200	500/500
<b>Operation power in AC-23 (kW)<sup>(4)</sup></b>								
At 415 VAC without AC pre-break		58/58	75/75	100/100	100/100	145/145	190/190	235/235
At 690 VAC without AC pre-break		50/62	50/62	50/62	90/90	90/90	90/90	310/310
<b>Reactive power (kvar)<sup>(4)</sup></b>								
At 415 VAC (kvar)		60/60	75/75	100/100	125/125	150/150	200/200	250/300
<b>Fuse protected short-circuit withstand as per IEC 60947-3 (kA rms prospective)</b>								
Prospective short-circuit current with gG DIN fuses at 415 VAC (kA rms)		100	100	50	50	50	50	50
Prospective short-circuit current with gG DIN fuses at 690 VAC (kA rms)					50	50	50	50
Associated fuse rating (A)		125	160	200	250	315	400	500
<b>Short-circuit withstand without protection as per IEC 60947-3</b>								
Rated short-time withstand current 0.3s I <sub>cw</sub> at 415 VAC (kA rms)		12	12	12	15 <sup>(5)</sup>	15 <sup>(5)</sup>	15 <sup>(5)</sup>	17 <sup>(5)</sup>
Rated short-time withstand current 1s I <sub>cw</sub> at 415 VAC (kA rms)		7	7	7	8 <sup>(5)</sup>	8 <sup>(5)</sup>	8 <sup>(5)</sup>	11 <sup>(5)</sup>
Rated peak withstand current at 415 VAC (kA peak)		20	20	20	30	30	30	45
<b>Short-circuit withstand without protection as per IEC 60947-6-1</b>								
Rated short-time withstand current 30 ms I <sub>cw</sub> at 415 VAC (kA rms)		10	10	10	10	10	10	
Rated short-time withstand current 60 ms I <sub>cw</sub> at 415 VAC (kA rms)								10
<b>Connection</b>								
Minimum Cu cable cross-section as per IEC 60947-1 (mm <sup>2</sup> )		35	35	50	95	120	185	2 x 95
Recommended Cu busbar cross-section (mm <sup>2</sup> )								2 x 32 x 5
Maximum Cu cable cross-section (mm <sup>2</sup> )		50	95	120	150	240	240	2 x 185
Maximum Cu busbar width (mm)		25	25	25	32	32	32	50
Min./max. tightening torque (Nm)		9/13	9/13	9/13	20/26	20/26	20/26	20/26
<b>Mechanical specifications</b>								
Durability (number of operating cycles)		10,000	10,000	10,000	8,000	8,000	8,000	5,000
Weight 3 P (kg)		2.9	2.9	2.9	3.8	3.9	3.9	8.6
Weight 4 P (kg)		4.1	4.1	4.1	4.6	4.9	4.9	11.1

(1) Category with index A = frequent operation - Category with index B = infrequent operation.

(2) 3-pole device with 2 pole in series for the "+" an 1 pole for the "-".

4-pole device with 2 poles in series by polarity.

(3) Interphase barriers must be installed on the products.

(4) The power value is given for information only, the current values vary from one manufacturer to another.

(5) Values given at 690 VAC.

## 800 to 3200 A

Thermal current I <sup>th</sup> at 40°C	800 A	1000 A	1250 A	1600 A	2000 A	2500 A	3200 A
Frame size	B6	B6	B6	B7	B8	B8	B8
Rated insulation voltage U <sub>i</sub> (V)	1000	1000	1000	1000	1000	1000	1000
Rated impulse withstand voltage U <sub>imp</sub> (kV)	12	12	12	12	12	12	12
<b>Rated operational currents I<sub>e</sub> (A) according to IEC 60947-6-1</b>							
Rated voltage	Utilisation category	A/B <sup>(1)</sup>	A/B <sup>(1)</sup>	A/B <sup>(1)</sup>	A/B <sup>(1)</sup>	A/B <sup>(1)</sup>	A/B <sup>(1)</sup>
415 VAC	AC-31 B	800	1000	1250	1600	2000	3200
415 VAC	AC-32 B	800	1000	1250	1250	2000	2000
415 VAC	AC-33 B	800	1000	1000	1000	1250	1250
<b>Rated operational currents I<sub>e</sub> (A) according to IEC 60947-3</b>							
Rated voltage	Utilisation category	A/B <sup>(1)</sup>	A/B <sup>(1)</sup>	A/B <sup>(1)</sup>	A/B <sup>(1)</sup>	A/B <sup>(1)</sup>	A/B <sup>(1)</sup>
415 VAC	AC-21 A / AC-21 B	800/800	1000/1000	1250/1250	1600/1600	-/2000	-/3200
415 VAC	AC-22 A / AC-22 B	800/800	1000/1000	1250/1250	1600/1600	-/2000	-/3200
415 VAC	AC-23 A / AC-23 B	800/800	1000/1000	1250/1250	1250/1250	-/1600	-/1600
500 VAC	AC-21 A / AC-21 B	800/800	1000/1000	1250/1250	1600/1600	-/2000	-/2000
500 VAC	AC-22 A / AC-22 B	630/630	800/800	1000/1000	1600/1600		
500 VAC	AC-23 A / AC-23 B	630/630	630/630	800/800	1000/1000		
690 VAC <sup>(3)</sup>	AC-21 A / AC-21 B	800/800	1000/1000	1250/1250	1600/1600	-/2000	-/2000
690 VAC <sup>(3)</sup>	AC-22 A / AC-22 B	630/630	800/800	1000/1000	1000/1000		
690 VAC <sup>(3)</sup>	AC-23 A / AC-23 B	630/630	630/630	800/800	800/800		
220 VDC	DC-21 A / DC-21 B	800/800	1000/1000	1250/1250	1250/1250		
220 VDC	DC-22 A / DC-22 B	800/800	1000/1000	1250/1250	1250/1250		
220 VDC	DC-23 A / DC-23 B	800/800	1000/1000	1250/1250	1250/1250		
440 VDC <sup>(2)</sup>	DC-21 A / DC-21 B	800/800	1000/1000	1250/1250	1250/1250		
440 VDC <sup>(2)</sup>	DC-22 A / DC-22 B	800/800	1000/1000	1250/1250	1250/1250		
440 VDC <sup>(2)</sup>	DC-23 A / DC-23 B	800/800	1000/1000	1250/1250	1250/1250		
<b>Operation power in AC-23 (kW)<sup>(4)</sup></b>							
At 415 VAC without AC pre-break		375/375	450/450	560/560	560/560	-/710	-/710
At 690 VAC without AC pre-break		475/475	475/475	620/620	620/620		
<b>Reactive power (kvar)<sup>(4)</sup></b>							
At 415 VAC (kvar)		400/400	500/500	650/650	650/650	-/850	-/850
<b>Fuse protected short-circuit withstand as per IEC 60947-3 (kA rms prospective)</b>							
Prospective short-circuit current with gG DIN fuses at 415 VAC (kA rms)		50	50	100	100		
Prospective short-circuit current with gG DIN fuses at 690 VAC (kA rms)		50	50	50			
Associated fuse rating (A)		800	1000	1250	2x800		
<b>Short-circuit withstand without protection as per IEC 60947-3</b>							
Rated short-time withstand current 0.3s I <sub>cw</sub> at 415 VAC (kA rms)		64	64	64	78	78	78
Rated short-time withstand current 1s I <sub>cw</sub> at 415 VAC (kA rms)		35	35	35	50	50	50
Rated peak withstand current at 415 VAC (kA peak)		55	55	80	110	120	120
<b>Short-circuit withstand without protection as per IEC 60947-6-1</b>							
Rated short-time withstand current 30 ms I <sub>cw</sub> at 415 VAC (kA rms)							
Rated short-time withstand current 60 ms I <sub>cw</sub> at 415 VAC (kA rms)		20	20	25	32	50	50
<b>Connection</b>							
Minimum Cu cable cross-section as per IEC 60947-1 (mm <sup>2</sup> )		2 x 185					
Recommended Cu busbar cross-section (mm <sup>2</sup> )		2 x 50 x 5	2 x 63 x 5	2 x 60 x 7	2 x 100 x 5	3 x 100 x 5	2 x 100 x 10
Maximum Cu cable cross-section (mm <sup>2</sup> )		4 x 185	4 x 185	4 x 185	6 x 185		
Maximum Cu busbar width (mm)		63	63	63	100	100	100
Min./max. tightening torque (Nm)		20/26	20/26	20/26	40/45	40/45	40/45
<b>Mechanical specifications</b>							
Durability (number of operating cycles)		4,000	4,000	4,000	3,000	3,000	3,000
Weight 3 P (kg)		20.5	21.0	21.6	25.7	42.0	52.3
Weight 4 P (kg)		24.8	25.6	26.2	32.0	52.9	66.6

(1) Category with index A = frequent operation - Category with index B = infrequent operation.

(2) 3-pole device with 2 pole in series for the "+" an 1 pole for the "-".

4-pole device with 2 poles in series by polarity.

(3) Interphase barriers must be installed on the products.

(4) The power value is given for information only, the current values vary from one manufacturer to another.

(5) Values given at 690 VAC.

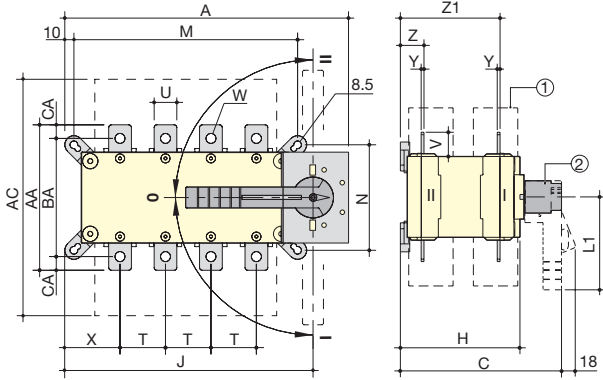
# SIRCOVER

Manual Transfer Switching Equipment  
from 125 to 3200 A

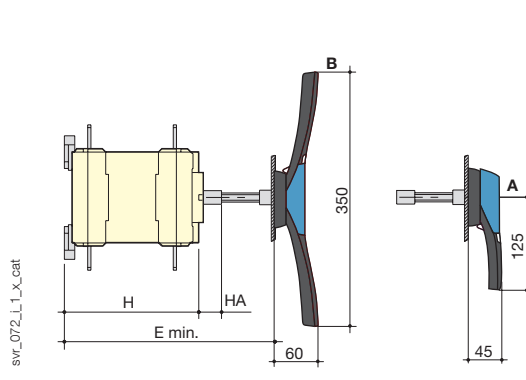
## Dimensions

### SIRCOVER 125 to 1600 A / B3 to B7

#### Direct front operation



#### External front operation



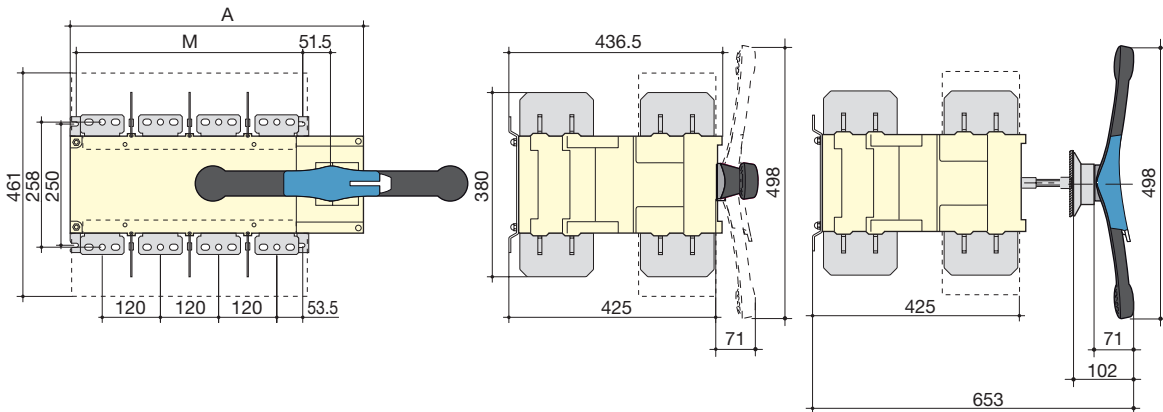
A. S2 type handle for external operation: 125 to 630 A  
B. S4 type handle for external operation: 800 to 1600 A

1. Terminal shrouds
2. Direct operation handle:  
- 125 to 630 A: L1 = 140 mm,  
- 800 to 1600 A: L1 = 210 mm.

Rating (A)/ Frame size	Overall dimensions				Terminal shrouds	Switch body				Switch mounting				Connection										
	A 3p.	A 4p.	C	E min		AC	H	HA	J 3p.	J 4p.	M 3p.	M 4p.	N	T	U	V	W	X 3p.	X 4p.	Y	Z	Z1	AA	BA
125 / B3	221	251	218	208 ... 436	235	148	25	182	212	156	186	101	36	20	25	8.5	56	50	3.5	28	124	135	115	10
160 / B3	221	251	218	208 ... 436	235	148	25	182	212	156	186	101	36	20	25	8.5	56	50	3.5	28	124	135	115	10
200 / B3	221	251	218	208 ... 436	235	148	25	182	212	156	186	101	36	20	25	8.5	56	50	3.5	28	124	135	115	10
250 / B4	262	312	218	208 ... 436	280	148	25	223	273	196	246	116	50	25	30	11	61	61	3.5	30	124	160	130	15
315 / B4	262	312	218	208 ... 436	280	148	25	223	273	196	246	116	50	35	35	11	61	61	3.5	30	124	170	140	15
400 / B4	262	312	218	208 ... 436	280	148	25	223	273	196	246	116	50	35	35	11	61	61	3.5	30	124	170	140	15
500 / B5	319	379	295	285 ... 513	401	225	25	272	332	246	306	176	65	32	37	13	70.5	65.5	5	43	180	235	205	15
630 / B5	319	379	295	285 ... 513	400	225	25	272	332	246	306	176	65	45	50	13	70.5	65.5	5	43	180	260	220	20
800 / B6	386	466	375	425 ... 577	459	298	29	306.5	386.5	255	336	250	80	50	60.5	15	48	48	7	66.5	253.5	321		26.5
1000 / B6	386	466	375	425 ... 577	459	298	29	306.5	386.5	255	336	250	80	50	60.5	15	48	48	7	66.5	253.5	321		26.5
1250 / B6	386	466	375	425 ... 577	459	298	29	306.5	386.5	255	336	250	80	60	65	16x11	48	48	7	66.5	255.5	330		29.5
1600 / B7	478	598	375	425 ... 577	461	298	29	388.5	518.5	347	467	250	120	90	43.5	12.5x5	54	54	8	66.5	255.5	288		15

### SIRCOVER 2000 to 3200 A / B8

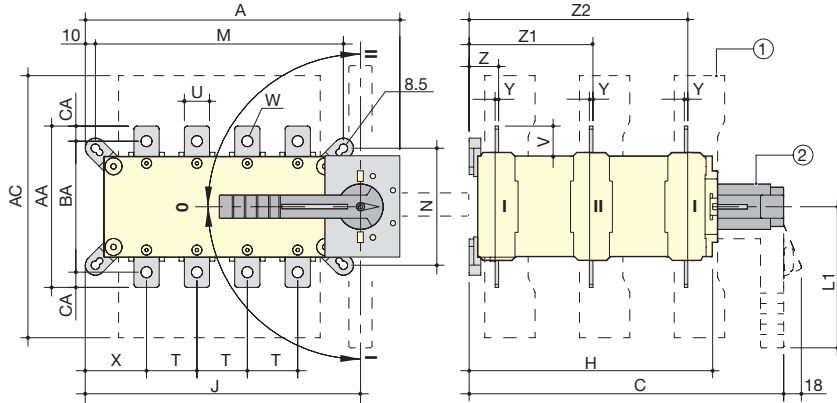
#### Direct front operation



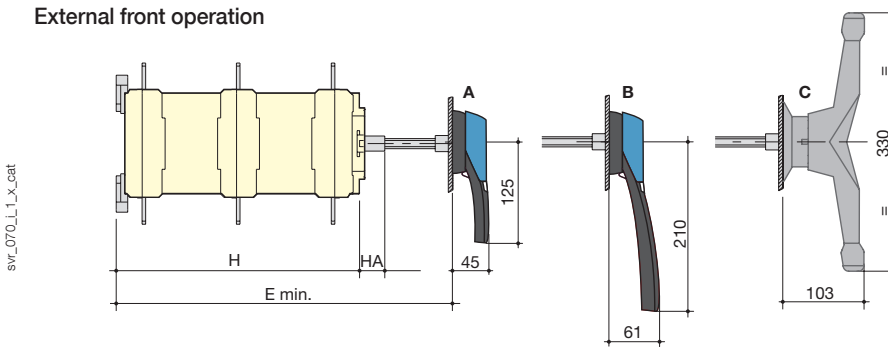
Rating (A) / Frame size	Overall dimensions		Switch mounting	
	A 3p.	A 4p.	M 3p.	M 4p.
2000 ... 3200 / B8	478	598	347	467

**SIRCOVER Bypass 125 to 1600 A / B3 to B7**

**Direct front operation**



**External front operation**



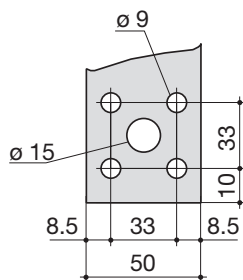
A. S2 type handle for external operation: 125 to 200 A  
B. S3 type handle for external operation: 250 to 630 A  
C. External double lever handle: 800 to 1600 A

1. Terminal shrouds
2. Direct operation handle:
  - 125 to 200 A: L1 = 140 mm,
  - 250 to 630 A: L1 = 210 mm,
  - 800 to 1600 A: L1 = diameter 330 mm.

Rating (A) / Frame size	Overall dimensions				Terminal shrouds	Switch body				Switch mounting				Connection											
	A 3+6p.	A 4+8p.	C	E min.	AC	H	HA	J 3+6p.	J 4+8p.	M 3+6p.	M 4+8p.	N	T	U	V	W	X 3+6p.	X 4+8p.	Y	Z	Z1	Z2	AA	BA	AC
125 / B3	221	251	313	320	235	243	25	182	212	156	186	101	36	20	25	8.5	56	50	3.5	28	124	219	135	115	10
160 / B3	221	251	313	320	235	243	25	182	212	156	186	101	36	20	25	8.5	56	50	3.5	28	124	219	135	115	10
200 / B3	221	251	313	320	235	243	25	182	212	156	186	101	36	20	25	8.5	56	50	3.5	28	124	219	135	115	10
250 / B4	262	312	313	298	280	243	25	223	273	196	246	116	50	25	30	11	61	61	3.5	30	124	219	160	130	10
400 / B4	262	312	313	298	280	243	25	223	273	196	246	116	50	35	35	11	61	61	3.5	30	124	219	170	140	15
630 / B5	319	379	432	417	400	362	25	272	332	246	306	176	65	45	50	13	70.5	65.5	5	43	180	317	260	220	20
800 / B6	386	466	560	550	459	479	29	306.5	386.5	255	335	250	80	50	60.5	15	48	48	7	66.5	253.5	439.5	321		26.5
1250 / B6	386	466	560	550	459	479	29	306.5	386.5	255	335	250	80	60	65	16x11	48	48	7	66.5	253.5	439.5	320		29.25
1600/B7	478	598	560	550	461	479	29	388.5	518.5	347	467	250	120	90	43.5	12.5x5	54	54	8	66.5	253.5	439.5	288		15

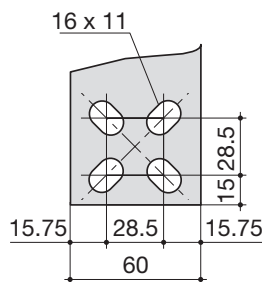
**Connection terminals**

SIRCOVER and SIRCOVER Bypass 800 A / B6



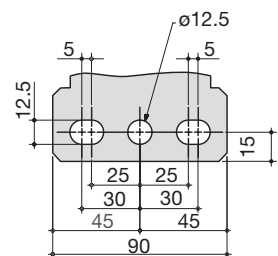
svr\_077\_a\_1\_x\_cat

SIRCOVER and SIRCOVER Bypass 1250 A / B6



svr\_078\_b\_1\_x\_cat

SIRCOVER 1600 to 3200 A / B7 to B8  
SIRCOVER Bypass 1600 A / B7



svr\_088\_a\_1\_x\_cat

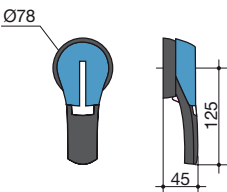
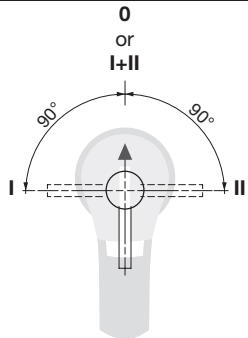
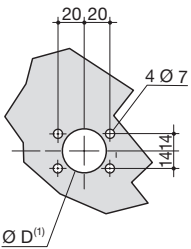
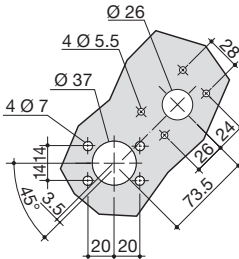
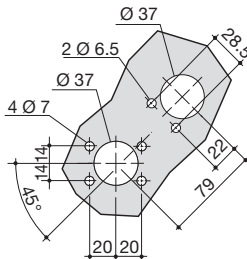


# SIRCOVER

Manual Transfer Switching Equipment  
from 125 to 3200 A

## Dimensions for external handles

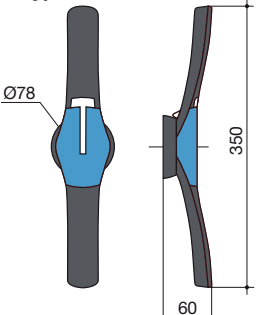
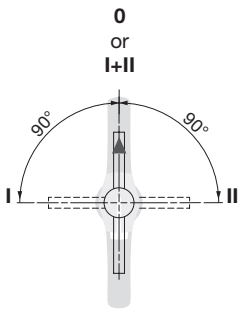
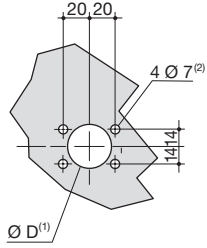
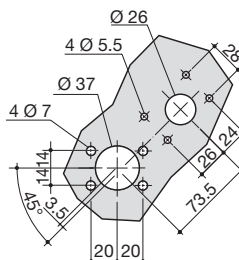
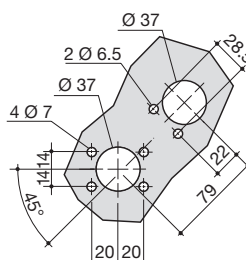
### SIRCOVER 125 to 630 A / B3 to B5

Handle type	Front operation Direction of operation	Door drilling		
<b>S2 type</b> 				

(1) Ø31 to Ø37: rear screw mounting,  
Ø37: front clip mounting.

poign\_030\_a\_1\_gb\_cat

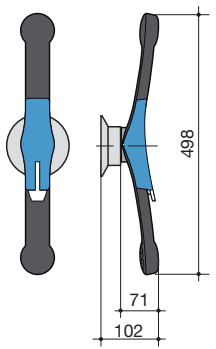
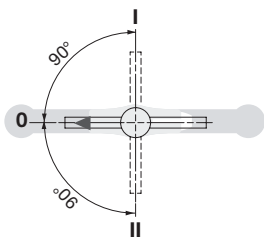
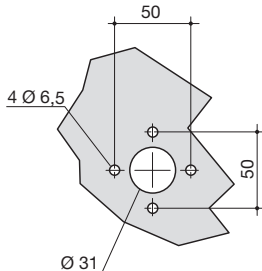
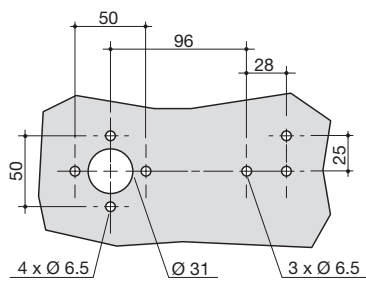
### SIRCOVER 800 to 1600 A / B6 to B7

Handle type	Front operation Direction of operation	Door drilling		
<b>S4 type</b> 				

(1) Ø31 to Ø37: rear screw mounting,  
Ø37: front clip mounting.  
(2) Ø6 to Ø7: clip mounting

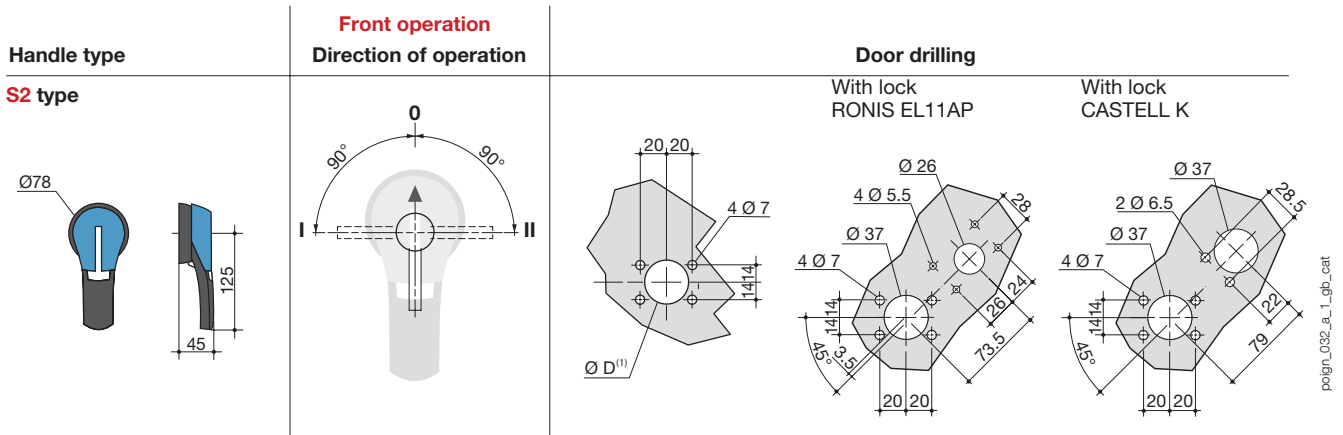
poign\_031\_a\_1\_gb\_cat

### SIRCOVER 2000 to 3200 A / B8

Handle type	Front operation Direction of operation	Door drilling	
<b>S5 type</b> with V Escutcheon 			

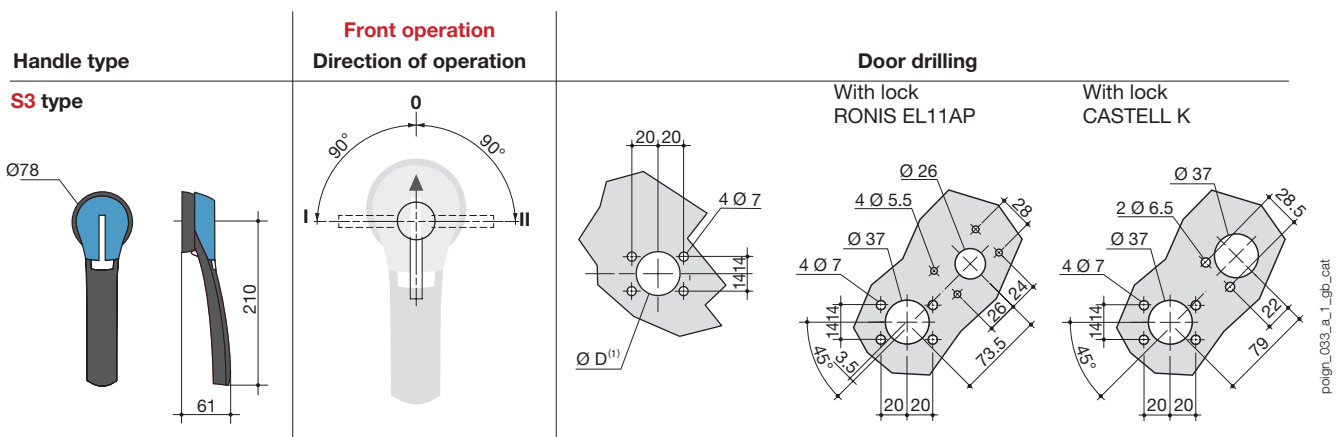
poign\_023\_a\_1\_gb\_cat

SIRCOVER Bypass 125 to 200 A / B3



(1) Ø31 to Ø37: rear screw mounting,  
Ø37: front clip mounting.

SIRCOVER Bypass 250 to 630 A / B4 to B5



(1) Ø31 to Ø37: rear screw mounting,  
Ø37: front clip mounting.

SIRCOVER Bypass 800 to 1600 A / B6 to B7

