

# FUSERBLOC and high speed fuses (uR)

## Fuse load break switches

Protection for power semiconductors up to 1250 A



fuser\_437\_a\_1\_cat

**FUSERBLOC**  
630 to 1250 A



fuser\_439\_a\_1\_cat

**FUSERBLOC**  
from 25 to 400 A

### The solution for

- > Protection for inverters and variable speed drives



### Strong points

- > Limiting the short-circuit current

### Extended range

- > For different setups, please contact us (uR 1250 V fuses, 80 mm or 110 mm size notch fuses, different sizes, etc.).

## Function

**FUSERBLOC fuse combination switches** combined with high speed fuses (uR curve) ensure the best operation under load, safe switching and protection for your power semiconductors (dimmers, inverters, etc.).

## Advantages

### Limiting the short-circuit current

This fuse solution for limiting the short-circuit current is by far the most efficient and economical on the market (uR fuses)

# FUSERBLOC and high speed fuses (uR)

Fuse combination switches

Protection for power semiconductors up to 1250 A

## FUSERBLOC for cylindrical uR 690 VAC fuses

### Characteristics

FUSERBLOC CD 50 A for 14 x 51 fuses									
Fuse rating (A)	10	12	16	20	25	32	40	50	
I max. for FUSERBLOC (A)	10	12	16	20	25	29	36	40	
FUSERBLOC CD 125 A for 22 x 58 fuses									
Fuse rating (A)	20	25	32	40	50	63	80	100	
I max. for FUSERBLOC (A)	20	25	32	40	50	63	71	85	

### References

#### Direct side operation

Rating (A) / Fuse size / Casing size	No. of poles	Case	Direct handle	Auxiliary contact for pre-break and position signalling
50 A / 14 x 51 1	2 P	3615 2005	Black 3629 7900	1 contact NO/NC 3999 0021
	3 P	3615 3005		
	4 P	3615 6005		
125 A / 22 x 58 3	2 P	3615 2011	Black 3629 7901	2 contacts NO/NC 3999 0022
	3 P	3615 3011		
	4 P	3615 6011		

#### Front or right-side external controls

Rating (A) / Fuse size / Casing size	No. of poles	Case	External front handle	External side handle	Shaft for external operation	Auxiliary contact for pre-break and position signalling
50 A / 14 x 51 11	2 P	3831 2005	Black IP55 1411 2111	Black IP55 1415 2111	320 mm 1400 1032	1 contact NC 3999 0701
	3 P	3831 3005	Red/Yellow IP65 1414 2111	Red / Yellow IP65 1418 2111		
	4 P	3831 6005				
125 A / 22 x 58 13	2 P	3831 2011	Black IP55 1421 2111	Black IP55 1425 2111		1 contact NO 3999 0702
	3 P	3831 3011	Red IP65 1424 2111	Red/Yellow IP65 1428 2111		
	4 P	3831 6011				

### Accessories

For other accessories, see FUSERBLOC.

# FUSERBLOC and high speed fuses (uR)

## Fuse combination switches

Protection for power semiconductors up to 1250 A

## FUSERBLOC for 690 V AC uR solid knife blade fuses DIN 43620

### Characteristics

FUSERBLOC 160 A for fuses size 000 and 00															
Fuse rating (A)	10	16	20	25	32	40	50	63	80	100	125	160	200	250	315
I max. for FUSERBLOC (A)	10	16	20	25	32	32	37	44	51	92	105	121	140	140	140
FUSERBLOC 250 A for fuses size 1*															
Fuse rating (A)				40	50	63	80	100	125	160	200	250	315	350	400
I max. for FUSERBLOC (A)				40	50	63	80	100	125	155	178	205	210	215	220
FUSERBLOC 400 A for fuses size 2															
Fuse rating (A)						200	250	315	350	400	450	500	550	630	700
I max. for FUSERBLOC (A)						120	150	169	210	330	330	340	340	350	350
FUSERBLOC 630 A for fuses size 3															
Fuse rating (A)									500	550	630	700	800	900	1000
I max. for FUSERBLOC (A)									360	380	420	450	480	500	510

### References

#### Direct side operation

Rating (A) / Fuse / Casing size	No. of poles	Case	Direct handle	Pre-break Auxiliary contact and position	Fuse caps
160 A / 00 3	2 P	3615 2015	Black 3629 7901	1 contact NO/NC 3999 0021  2 NO/NC contacts 3999 0022	3990 7015 <sup>(1)</sup>
	3 P	3615 3015			3990 8015 <sup>(1)</sup>
	4 P	3615 6015			3990 9015 <sup>(1)</sup>
160 A / 0 4	2 P	3615 2016			3990 7016 <sup>(1)</sup>
	3 P	3615 3016			3990 8016 <sup>(1)</sup>
	4 P	3615 6016			3990 9016 <sup>(1)</sup>
250 A / 1 5	2 P	3615 2024			3990 7024 <sup>(1)</sup>
	3 P	3615 3024			3990 8024 <sup>(1)</sup>
	4 P	3615 6024			3990 9024 <sup>(1)</sup>
400 A / 2 6	2 P	3615 2039			3990 7039 <sup>(1)</sup>
	3 P	3615 3039			3990 8039 <sup>(1)</sup>
	4 P	3615 6039			3990 9039 <sup>(1)</sup>
630 A / 3 17	2 P	3811 2063	Black 3899 6011	1 contact NC 3999 0701  1 contact NO 3999 0702	3990 7063 <sup>(1)</sup>
	3 P	3811 3063			3890 8063 <sup>(1)</sup>
	4 P	3811 6063			3890 9063 <sup>(1)</sup>

(1) Terminal shrouds for FUSERBLOC devices equipped with auxiliary contacts for fuse blown signal.

#### External right-side or front control

Rating (A) / Fuse / Casing size	No. of poles	Case	External front handle	External side handle	Shaft for external operation	Auxiliary contact for pre-break and position signalling	Fuse caps
160 A / 00 13	2 P	3831 2015	Black IP55 1421 2111	Black IP55 1425 2111	200 mm 1400 1020	1 contact NC 3999 0701  1 contact NO 3999 0702	3990 7015 <sup>(1)</sup>
	3 P	3831 3015					3990 8015 <sup>(1)</sup>
	4 P	3831 6015					3990 9015 <sup>(1)</sup>
160 A / 0 14	2 P	3831 2016					3990 7016 <sup>(1)</sup>
	3 P	3831 3016					3990 8016 <sup>(1)</sup>
	4 P	3831 6016					3990 9016 <sup>(1)</sup>
250 A / 1 15	2 P	3831 2024					3990 7024 <sup>(1)</sup>
	3 P	3831 3024					3990 8024 <sup>(1)</sup>
	4 P	3831 6024					3990 9024 <sup>(1)</sup>
400 A / 2 16	2 P	3831 2039					3990 7039 <sup>(1)</sup>
	3 P	3831 3039					3990 8039 <sup>(1)</sup>
	4 P	3831 6039					3990 9039 <sup>(1)</sup>
630 A / 3 17	2 P	3811 2063	Black IP65 1433 3111	Black IP65 1437 3111	200 mm 1400 1220		3990 7063 <sup>(1)</sup>
	3 P	3811 3063	Red/Yellow IP65 1434 3111	Red/Yellow IP65 1438 3111	320 mm 1400 1232		3890 8063 <sup>(1)</sup>
	4 P	3811 6063					3890 9063 <sup>(1)</sup>

(1) Terminal shrouds for FUSERBLOC devices equipped with auxiliary contacts for fuse blown signal.

# FUSERBLOC and high speed fuses (uR)

Fuse combination switches

Protection for power semiconductors up to 1250 A

## Accessories

Terminal shrouds for FUSERBLOC devices equipped with auxiliary contacts for fuse blown signal.

### Use

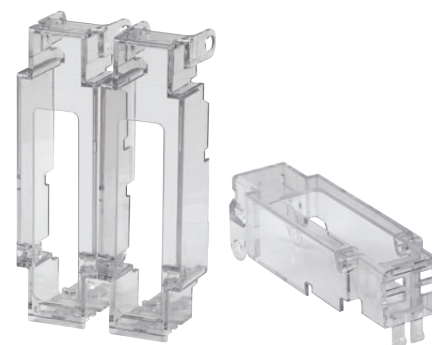
Protection from direct contact with live parts located in the fuse compartment, for FUSERBLOC devices equipped with uR fuses with auxiliary contacts for fuse blown signal.

Rating (A)	Fuses <sup>(1)</sup>	No. of poles	Option <sup>(2)</sup>	Accessories <sup>(3)</sup>
			(factory fit) References	(client fit) References
160	00	2 P	3990 <b>7015</b>	3999 <b>7015</b>
160	00	3 P	3990 <b>8015</b>	3999 <b>8015</b>
160	00	4 P	3990 <b>9015</b>	3999 <b>9015</b>
160	0	2 P	3990 <b>7016</b>	3999 <b>7016</b>
160	0	3 P	3990 <b>8016</b>	3999 <b>8016</b>
160	0	4 P	3990 <b>9016</b>	3999 <b>9016</b>
250	1	2 P	3990 <b>7024</b>	3999 <b>7024</b>
250	1	3 P	3990 <b>8024</b>	3999 <b>8024</b>
250	1	4 P	3990 <b>9024</b>	3999 <b>9024</b>
400	2	2 P	3990 <b>7039</b>	3999 <b>7039</b>
400	2	3 P	3990 <b>8039</b>	3999 <b>8039</b>
400	2	4 P	3990 <b>9039</b>	3999 <b>9039</b>
630	3	3 P	3890 <b>8063</b>	3899 <b>8063</b>
630	3	4 P	3890 <b>9063</b>	3899 <b>9063</b>

(1) For fuses, see "uR fuses 10 to 2000 A".

(2) If ordered with the main device.

(3) If otherwise controlled.



access\_221\_a

For other accessories, see FUSERBLOC.

## FUSERBLOC for 690 V AC uR type K/50 fuses

### Characteristics

FUSERBLOC V 800 A for BK size 2 fuse														
Fuse rating (A)	400	450	500	550	630	700	800	900	1000	1100	1250			
I max. for FUSERBLOC (A)	380	420	440	450	500	520	530	530	530	540	550			
FUSERBLOC 1250 A for fuses size 3														
Fuse rating (A)	500	550	630	700	800	900	1000	1100	1250	1400	1500	1600	1800	2000
I max. for FUSERBLOC (A)	500	550	620	630	720	790	870	940	1050	1100	1100	1100	1100	1100

## References

### Front operation

Rating (A) / Fuse	No. of poles	Switch body <sup>(1)</sup>	Direct handle	External handle	Shaft for external operation	Fuse caps	Auxiliary contact for pre-break and position signalling	Terminal shrouds
800 A / 2	3 P	3680 <b>3081</b>	3999 <b>6012</b>	Black IP55 1443 <b>3111</b> <sup>(2)</sup> Red/Yellow IP65 1444 <b>3111</b>	200 mm 1400 <b>1220</b> 320 mm 1400 <b>1232</b>	included	1 NO/NC 3999 <b>0051</b>  2e NO/NC 3999 <b>0052</b>	3998 <b>3063</b>
	4 P	3680 <b>6081</b>						3998 <b>4063</b>
1250 A / 3	3 P	3680 <b>3121</b>						3998 <b>3120</b>
	4 P							3998 <b>4120</b>

(1) Please contact us.

(2) Standard.

# FUSERBLOC and high speed fuses (uR)

## Fuse combination switches

Protection for power semiconductors up to 1250 A

## FUSERBLOC for K/110 uR fuses

### Characteristics

<b>FUSERBLOC 250 A for fuses size 1* at 690 VAC<sup>(1)</sup></b>																		
Fuse rating (A)	40	50	63	80	100	125	160	200	250	315	350	400	450	500	550	630		
I max. for FUSERBLOC (A)	40	50	63	80	100	120	140	165	195	215	230	240	240	240	230	240		
<b>FUSERBLOC 400 A for fuses size 1* at 690 VAC<sup>(1)</sup></b>																		
Fuse rating (A)							200	250	315	350	400	450	500	550	630	700	800	900
I max. for FUSERBLOC (A)							145	165	200	220	240	265	290	310	340	370	395	395
<b>FUSERBLOC 500 A for fuses size 2* at 690 VAC<sup>(1)</sup></b>																		
Fuse rating (A)											400	450	500	550	630	700		
I max. for FUSERBLOC (A)											320	345	370	390	425	460		
<b>FUSERBLOC 630 A for fuses size 2 at 690 VAC<sup>(1)</sup></b>																		
Fuse rating (A)											800	900	1000	1100	1250			
I max. for FUSERBLOC (A)											495	545	590	610	620			
<b>FUSERBLOC 800 A for fuses size 3 at 690 VAC<sup>(1)</sup></b>																		
Fuse rating (A)			500	550	630	700	800	900	1000	1100	1250	1400	1500	1600	1800	2000		
I max. for FUSERBLOC (A)			370	395	440	480	535	590	645	695	760	800	800	800	800	800		
<b>FUSERBLOC 1250 A for fuses size 3, contact us.</b>																		

(1) For uR fuses type K/110 1250 VAC, please contact us.

### References

#### Direct right-side or front control

Rating (A) / Fuse / Casing size	No. of poles	Case	Direct side handle	Direct front handle	Fuse caps	Auxiliary contact for pre-break and position signalling	Terminal shrouds			
250 A / 1* / 6	2 P	36U1 2024	Black 3629 7901		2 P 3990 2839 <sup>(1)</sup>	1 contact NO/NC 3999 0021	2 P 3998 2025			
	3 P	36U1 3024					3 P 3998 3025			
400 A / 1 / 6	2 P	36U1 2039			Black 1437 7911		Black 3899 6011	3 P 3990 3839 <sup>(1)</sup>	1 contact NC 3999 0701	3 P 3998 3080
	3 P	36U1 3039								3 P 3998 3080
500 A / 2 / 17	2 P	38U1 2050	Black 3899 6011	2 P 3890 2U63 <sup>(1)</sup>		3 P 3890 3U63 <sup>(1)</sup>		1 contact NO 3999 0702		2 P 3898 2080
	3 P	38U1 3050								3 P 3898 3080
630 A / 2 / 17	2 P	38U1 2063	Black 1437 7911	Black 3899 6011		3 P 3890 3U63 <sup>(1)</sup>		1 contact NO 3999 0702		3 P 3898 3080
	3 P	38U1 3063								3 P 3898 3080
800 A / 3 / 18	2 P	38U1 2080	Black 1437 7911	Black 3899 6011	3 P 3890 3U63 <sup>(1)</sup>	1 contact NO 3999 0702	3 P 3898 3080			
	3 P	38U1 3080					3 P 3898 3080			
1250 A / 3 / 18	2 P	38U1 2120	Black 1437 7911	Black 3899 7011	Standard		3 P 3898 3120			
	3 P	38U1 3120					3 P 3898 3120			

(1) Terminal shrouds for FUSERBLOC devices equipped with auxiliary contacts for fuse blown signal.

### Part numbers (continued)

#### External right-side or front control

Rating (A) / Fuse size / Casing size	No. of poles	Case	External front handle	External side handle	Shaft for external operation	Fuse caps	Auxiliary contact for pre-break and position signalling	Terminal shrouds				
250 A / 1* / 16	2 P	38U1 2024	Type S2 Black IP55 1421 2111	Type S2 Black IP55 1425 2111	320 mm 1400 1032	2 P 3990 2839 <sup>(1)</sup>		2 P 3998 2025				
	3 P	38U1 3024							3 P 3998 3025			
400 A / 1 / 16	2 P	38U1 2039	Red IP65 1424 2111	Red/Yellow IP65 1428 2111		3 P 3990 3839 <sup>(1)</sup>						
	3 P	38U1 3039								3 P 3998 3025		
500 A / 2 / 17	2 P	38U1 2050	Type S3 Black IP65 1433 3111	Type S3 Black IP65 1437 3111	320 mm 1400 1232		1 contact NC 3999 0701  1 contact NO 3999 0702	2 P 3998 2080				
	3 P	38U1 3050							3 P 3998 3080			
630 A / 2 / 17	2 P	38U1 2063				Red/Yellow IP65 1434 3111		Type S3 Black IP65 1437 3111	3 P 3990 3U63 <sup>(1)</sup>			
	3 P	38U1 3063										3 P 3998 3080
800 A / 3 / 17	2 P	38U1 2080	Type S4 Black IP65 1443 3111	Red/Yellow IP65 1438 3111				2 P 3998 2120				
	3 P	38U1 3080							3 P 3998 3120			
1250 A / 3 / 18	2 P	38U1 2120				Red/Yellow IP65 1444 3111				Standard		2 P 3998 2120
	3 P	38U1 3120										

(1) Terminal shrouds for FUSERBLOC devices equipped with auxiliary contacts for fuse blown signal.

### Accessories

Terminal shrouds for FUSERBLOC devices equipped with auxiliary contacts for fuse blown signal.

#### Use

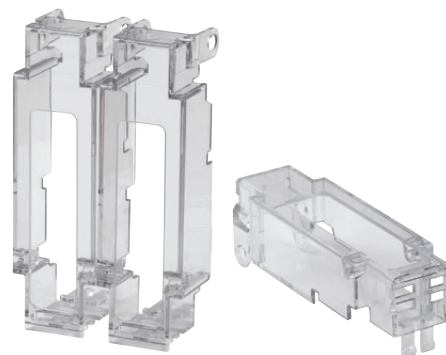
Protection from direct contact with live parts located in the fuse compartment, for FUSERBLOC devices equipped with uR fuses with auxiliary contacts for fuse blown signal.

Rating (A)	Fusibles <sup>(3)</sup>	No. of poles	Option <sup>(2)</sup>	Accessories <sup>(1)</sup>
			(factory fit) Reference	(client fit) Reference
250 - 400	1* / 1	2 P	3990 2839	3999 2839
250 - 400	1* / 1	3 P	3990 3839	3999 3839
500 ... 800	2 / 3	2 P	3890 2U63	3899 2U63
500 ... 800	2 / 3	3 P	3890 3U63	3899 3U63
500 ... 800	2 / 3	2 P	3890 2U63	3899 2U63
1250	3	2 P	Standard	Standard
1250	3	3 P	Standard	Standard

(1) If otherwise controlled.

(2) If ordered with the main device.

(3) For fuses, see "uR fuses 10 to 2000 A".



access\_221\_a

For other accessories, see FUSERBLOC.