

FUSERBLOC BS88

Fuse load break switches

from 25 to 1250 A



fuser_572.eps

Function

FUSERBLOC BS 88 units with right front-side operation are manually-operated multipole fuse load break switches. They provide make and break on load and safety isolation and protection against overcurrent for any low voltage electrical circuit. This range is available in direct and external operation, in 2, 3 and 4 poles and up to 1250 A.

Advantages

Improved safety

The double phase isolator (upstream/downstream of the fuse) and fully visible isolation guarantee the safety of people and equipment against overcurrents.

High breaking capacity

High breaking capacity fuses (100 kA rms) provide protection against overloads and shortcircuits.

Multi-use

The unit can be equipped with front or side operation handle, mounted directly on the product, or outside, with the possibility of installing it on the door or on the side of an electrical box or cabinet).

Simplified use

The TEST position enables testing of the control circuits without turning on the power thanks to the use of U-type auxiliary contacts. In the TEST position, the cabinet door can be opened.

General characteristics

- For industrial fuses up to 1250 A.
- 2P, 3P or 4P available.
- Up to 690 VAC.
- Up to 100 kA.

The solution for

- > Data centre
- > Healthcare
- > Industry
- > Building



Strong points

- > Improved safety
- > High breaking capacity
- > Multi-use
- > Simplified use

A complete range

- > Centred or left side operation, rear connections, plug-in connections. Please consult us.

Conformity to standards

- > IEC 60947-3
- > BS EN 60947-3
- > IEC 60269-1
- > IEC 60269-2



Approvals and certifications⁽¹⁾



LOVAG



⁽¹⁾ Product reference on request.

FUSERBLOC BS88

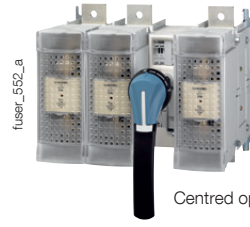
Fuse load break switches

from 25 to 1250 A

Customised solutions



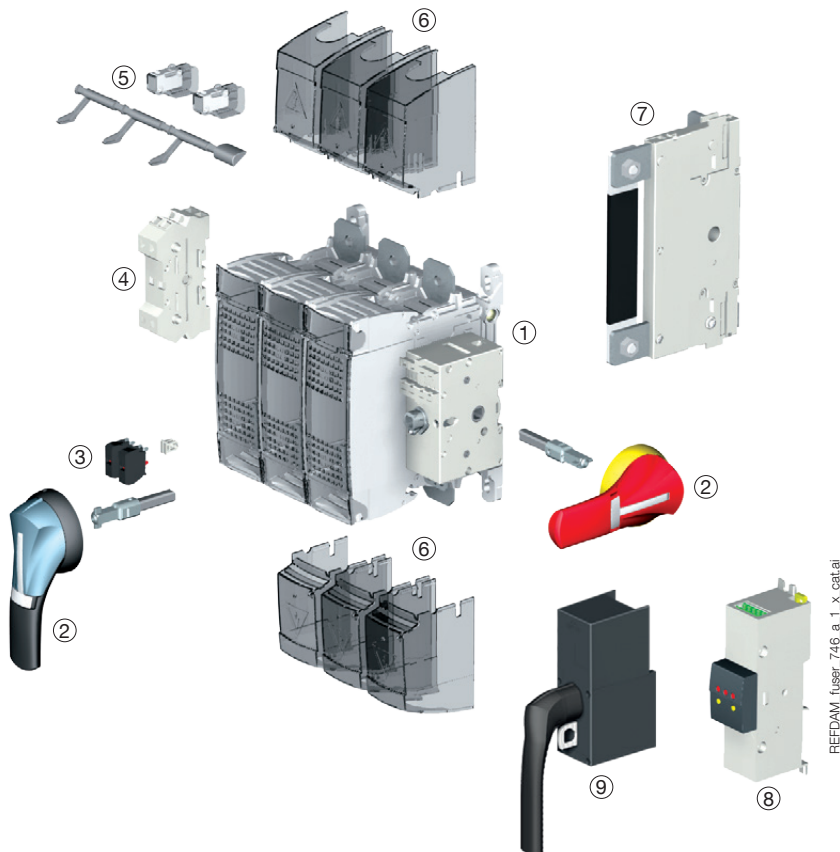
Multipolar FUSERBLOC



Centred operation

What you need to know

- In addition to the FUSERBLOC rating, product selection also depends on the fuse characteristics and functional specifications, which need to be in accordance with the application. SOCOMEC FUSERBLOC are available for utilisation with **NFC, DIN or BS88 fuses**.

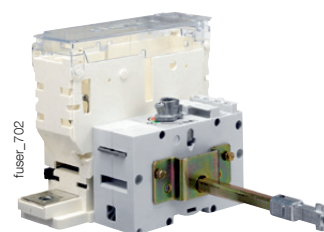
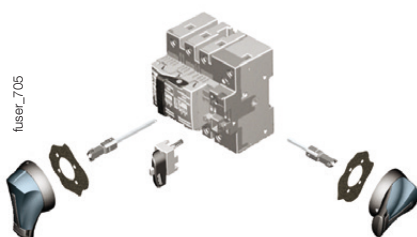


- FUSERBLOC switch fuse
- External front or side operation handle
- U type auxiliary contact (pre-break and switch position signalling)
- S and ST auxiliary equipment control and switch position signalling contacts
- Melted fuse mechanical detection and indication device (DDMM)
- Top and bottom terminal shrouds
- Integrated solid neutral link
- Electronic fuse monitoring device (FMD) detects fuse status and provides signals to operator, PLC or supervision systems. Compatible with BS88, DIN and UL fuse types.
 - LED visual indication
 - Bi-stable relay for PLC: alarm, remote device tripping, etc.
 - TEST button: provides functional product verification
 - Can be directly mounted to FUSERBLOC, alternatively it can be DIN rail, back plate or door mounted.
- Direct control box.

REFDAM_fuser_746_a_1_x_catal

Whether it is 3 pole + switched neutral or 3 pole + solid neutral, the FUSERBLOC 20 to 32 A with direct front operation and external operation is the best suited solution in compact design.

For ratings 20 to 400 A, the flat mounting kit provides a compact solution ideally suited to withdrawable applications. Maintenance of outputs from the DC common bus.



FUSERBLOC BS88

Fuse load break switches

from 25 to 1250 A

References

BS 88 - External front and side operation - 20 to 160 A

Rating (A) Fuse size Frame size	Number of poles	Reference Switch I - 0 - TEST	External front handle I - 0	TEST External front handle I - 0 - TEST	External right side handle I - 0	Shaft extensions for handle	Terminal shrouds ⁽³⁾	U type A/C ⁽²⁾	Integrated solid neutral link
CD 20 A A1 0	3 P	3641 3000				320 mm 1401 0532			
	3 P + switched neutral	3641 4000							
	3 P+solid neutral	3641 5000							
CD 32 A A1 0	3 P	3641 3001	S1 type Black IP65 1413 2111⁽¹⁾	S1 type Black IP65 1413 2115⁽¹⁾	S1 type Black IP65 1417 2111⁽¹⁾				
	3 P + switched neutral	3641 4001							
	3 P + solid neutral	3641 5001							
32 A A1 11	2 P	3841 2003	Red/Yellow IP65 1414 2111	Red/Yellow IP65 1414 2115	Red/Yellow IP65 1418 2111				
	3 P	3841 3003							
	4 P	3841 6003							
63 A A2-A3 12	2 P	3841 2006						1 contact NO 3999 0701	3829 9310
	3 P	3841 3006							
	4 P	3841 6006							
100 A A4 ⁽⁴⁾ 13	2 P	3841 2010				320 mm 1400 1032		1 contact NC 3999 0702	
	3 P	3841 3010							
	4 P	3841 6010							
CD 160 A A3-A4 ⁽⁴⁾ 13 A	2 P	3841 2014	S2 type Black IP65 1423 2111⁽¹⁾	S2 type Black IP65 1423 2115⁽¹⁾	S2 type Black IP65 1427 2111⁽¹⁾		2 P 3998 2016 3 P 3998 3016 4 P 3998 4016		
	3 P	3841 3014							
	4 P	3841 6014							
160 A A4 14	2 P	3841 2015	Red/Yellow IP65 1424 2111	Red/Yellow IP65 1424 2115	Red/Yellow IP65 1428 2111				3829 9320
	3 P	3841 3015							
	4 P	3841 6015							
160 A B1-B2 14	2 P	3841 2016							
	3 P	3841 3016							
	4 P	3841 6016							

(1) Standard.

(2) 4 auxiliary contacts as standard; additional auxiliary contact holder provides capacity for 4 more.

(3) Top or bottom; to shroud incoming and outgoing side order quantity 2.

(4) For fuse size A4: max diameter 31 mm.

BS 88 - External front and side operation - 200 to 1250 A

Rating (A) Fuse size Frame size	Number of poles	Reference Switch I - 0 - TEST	External front handle I - 0	TEST External front handle I - 0 - TEST	External right side handle I - 0	Shaft extensions for handle	Terminal shrouds ⁽³⁾	U type A/C ⁽²⁾	Integrated solid neutral link			
CD 200 A A3-A4 (4) 13 A	2 P	3841 2019					2 P 3998 2016		3829 9320			
	3 P	3841 3019					3 P 3998 3016					
	4 P	3841 6019					4 P 3998 4016					
200 A B1-B2 15	2 P	3841 2021	S2 type	S2 type	S2 type	320 mm 1400 1032	2 P 3998 2025		3829 9325			
	3 P	3841 3021					3 P 3998 3025					
	4 P	3841 6021					4 P 3998 4025					
250 A B1-B2-B3 15	2 P	3841 2024	Black IP65 1423 2111⁽⁴⁾	Black IP65 1423 2115⁽⁴⁾	Black IP65 1425 2111⁽⁴⁾	320 mm 1400 1032	2 P 3998 2025		3829 9325			
	3 P	3841 3024					Red/Yellow IP65 1424 2111			Red/Yellow IP65 1424 2115	Red/Yellow IP65 1428 2111	3 P 3998 3025
	4 P	3841 6024					Red/Yellow IP65 1424 2111			Red/Yellow IP65 1424 2115	Red/Yellow IP65 1428 2111	4 P 3998 4025
315 A B1-B2-B3 16	2 P	3841 2031				320 mm 1400 1032	2 P 3898 2040	1 contact NO 3999 0701	3829 9339			
	3 P	3841 3031					3 P 3898 3040					
	4 P	3841 6031					4 P 3898 4040					
400 A B1-B2-B3-B4 16	2 P	3841 2038				320 mm 1400 1032	2 P 3898 2040	1 contact NC 3999 0702	3829 9339			
	3 P	3841 3038					3 P 3898 3040					
	4 P	3841 6038					4 P 3898 4040					
630 A C1-C2 17	2 P	3821 2063	S3 type			320 mm 1400 1232	2 P 3898 2080		3829 9308			
	3 P	3821 3063					3 P 3898 3080					
	4 P	3821 6063					4 P 3898 4080					
800 A C1-C2-C3 17	2 P	3821 2080	Black IP65 1433 3111⁽⁴⁾		S3 type	320 mm 1400 1232	2 P 3898 2080		3829 9308			
	3 P	3821 3080					Black IP65 1437 3111⁽⁴⁾			3 P 3898 3080		
	4 P	3821 6080					Red/Yellow IP65 1434 3111			4 P 3898 4080		
1250 A D1 18	2 P	3821 2120	S4 type			320 mm 1400 1232	3898 2120		3829 9312			
	3 P	3821 3120	Black IP65 1443 3111⁽⁴⁾				3898 3120					
	4 P	3821 6120	Black IP65 1443 3111⁽⁴⁾				3898 4120					

(1) Standard.

(2) Please refer to the accessories section for auxiliary contact capacity.

(3) Top or bottom; to shroud incoming and outgoing side order quantity 2.

(4) For fuse size A4: max diameter 31 mm.

(5) Terminal shrouds: 3 P - 3998 3025, 4 P - 3998 4025.

FUSERBLOC BS88

Fuse load break switches

from 25 to 1250 A

References

NFC and DIN left and centered operation - 25 to 125 A

Rating (A) Fuse size Casing size	No. of poles	Front/ right-side operation (6)	Left side operation (6)	Front centered operation (6)	Direct front handle I-0-TEST	External front handle I - 0	TEST external front handle I - 0 - TEST	External right-side handle I - 0	Shaft for handle	Auxiliary contact	Terminal shrouds	Electronic fuse blown indication (5)
CD 25 A 10 x 38 0	3 P	3631 3002 (1)			3629 4012				200 mm 1401 0520 320 mm 1401 0532 (2)			
	3 P + switched neutral	3631 4002 (1)										
	3 P + solid neutral	3631 5002 (1)										
CD 32 A 10 x 38 0	3 P	3631 3003										
	3 P + NC *	3631 4003										
	3 P+ solid neutral*	3631 5003										
CD 32 A 14 x 51 0	3 P	3631 3004 (1)										
	3 P + switched neutral	3631 4004 (1)										
	3 P+ solid neutral	3631 5004 (1)										
50 A 14 x 51 11	2 P	3831 2005										
	3 P	3831 3005 (1)	3815 3005									
	4 P	3831 6005 (1)	3815 6005									
63 A 00C 12	2 P	3831 2006			3999 5020				Type U 1 contact F 3999 0701 (3) 1 contact O 3999 0702 (3)		3 LEDs 155...260 VAC 3899 3120 3 LEDs 380 - 690 VAC 3899 3380	
	3 P	3831 3006 (1)	3815 3006									
	4 P	3831 6006 (1)	3815 6006									
100 A 22 x 58 13	2 P	3831 2010										
	3 P	3831 3010 (1)	3815 3010									
	4 P	3831 6010 (1)	3815 6010									
125 A 22 x 58 13	2 P	3831 2011										
	3 P	3831 3011	3815 3011	3837 3015								
	4 P	3831 6011	3815 6011									
125 A 00 13	2 P	3831 2012										
	3 P	3831 3012	3815 3012									
	4 P	3831 6012	3815 6012									

(1) Available enclosed (see "Enclosed fuse switches").

(2) Standard.

(3) Maximum 4 contacts.

(4) Top or bottom. Provide 2 terminal shrouds for complete upstream and downstream protection.

(5) Mechanical fuse blown auxiliary contact (DDMM), see "Accessories".

(6) Switch body.

NFC and DIN front/right side, left side and centered 160 to 1250A

Rating (A) Fuse size Casing size	No. of poles	Front/ right-side operation (7)	Left side operation (7)	Front centered operation (7)	Direct front handle I-0-TEST	External front handle I - 0	TEST external front handle I - 0 - TEST	External right-side handle I - 0	Shaft for handle	Auxiliary contact	Terminal shrouds	Electronic fuse blown indication (5)
160 A 00 13	2 P	3831 2015			3999 5020					Type U 1 contact NC 3999 0701 (3) 1 contact NO 3999 0702 (3)		
	3 P	3831 3015	38153015									
	4 P	3831 6015	38156015									
160 A 0 14	2 P	3831 2016			3999 5021	S1 type Black IP55		S1 type Black IP55	200 mm 1400 1020 320 mm 1400 1032 500 mm 1400 1050			
	3 P	3831 3016 (1)	38153016	38373016								
	4 P	3831 6016 (1)	38156016									
250 A 1 15	2 P	3831 2024			3999 5021	Black IP65	S2 type Black IP65	1425 2111 (2)				
	3 P	3831 3024 (1)	38153024	38373024								
	4 P	3831 6024 (1)	38156024	38376024								
400 A 2 16	2 P	3831 2038			3999 5021	Red IP65	Red IP65	1427 2111				
	3 P	3831 3038 (1)	38153039	38373039								
	4 P	3831 6038 (1)	38156039	38376039								
630 A 3 17	2 P	3811 2063			3899 6011	Black IP65	S3 type Black IP65	1433 3111 (2)		Type U 1 contact NC 3999 0701 (4) 1 contact NO 3999 0702 (4)		
	3 P	3811 3063 (1)	38153063	38173063								
	4 P	3811 6063 (1)	38156063	38176063								
800 A 3 17	2 P	3811 2080			3899 6011	Red IP65	Red IP65	1434 3111	200 mm 1400 1220 320 mm 1400 1232 500 mm 1400 1250			
	3 P	3811 3080	38153080	38173080								
	4 P	3811 6080	38156080									
800 A 4 18	2 P	3811 2081			1141 3011		S4 type Black IP65	1443 3111 (2)				
	3 P	3811 3081										
1250 A 4 18	2 P	3811 2120			1141 3011	Red IP65	Red IP65	1444 3111				
	3 P	3811 3120	38153120	38173120								
	4 P	3811 6120	38156120									

(1) Available enclosed (see "Enclosed fuse switches").

(2) Standard.

(3) Maximum 4 contacts.

(4) Maximum 8 contacts.

(5) Top or bottom. Provide 2 terminal shrouds for complete upstream and downstream protection.

(6) Mechanical fuse blown auxiliary contact (DDMM), see "Accessories".

(7) Switch body

FUSERBLOC BS88

Fuse load break switches

from 25 to 1250 A

Accessories

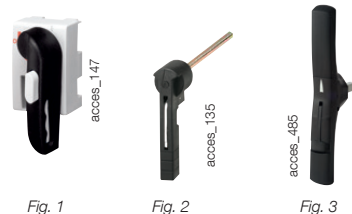
Frame front handle can be locked in position 0 for direct control

Rating (A)	Frame size	Command	Handle colour	Reference
50 - 160	11-12-13-14	I-0-TEST	Black	3999 5020
250 - 400	15-16	I-0-TEST	Black	3999 5021



Direct front-operation handle

Front operation				
Rating (A)	Frame size	Figure N°	Handle colour	Reference
20 - 32	0	1	Black	3629 4012
20 - 32	0	1	Red	3629 4013
630 - 800	17	2	Black	3899 6011
800 - 1250	18	3	Black	1141 3011



External front operation handle

Padlockable handle in position 0							
Rating (A)	Frame size	Handle type	Handle colour	Operation	External IP ⁽¹⁾	Defeatable handle	Reference
CD 25 ... 63	0/11/12	S1	Black	I - 0	IP55	Yes	1411 2111
CD 25 ... 63	0/11/12	S1	Black	I - 0	IP65	Yes	1413 2111
CD 25 ... 63	0/11/12	S1	Red/Yellow	I - 0	IP65	Yes	1414 2111
CD 25 ... 63	0/11/12	S1	Black	I - 0 - Test	IP65	Yes	1413 2115
CD 25 ... 63	0/11/12	S1	Red/Yellow	I - 0 - Test	IP65	Yes	1414 2115
100 ... 400	13 ... 16	S2	Black	I - 0	IP55	Yes	1421 2111
100 ... 400	13 ... 16	S2	Black	I - 0	IP65	Yes	1423 2111
100 ... 400	13 ... 16	S2	Red/Yellow	I - 0	IP65	Yes	1424 2111
100 ... 400	13 ... 16	S2	Black	I - 0 - Test	IP65	Yes	1423 2115
100 ... 400	13 ... 16	S2	Red/Yellow	I - 0 - Test	IP65	Yes	1424 2115
630 ... 800	17	S3	Black	I - 0	IP65	Yes	1433 3111
630 ... 800	17	S3	Red/Yellow	I - 0	IP65	Yes	1434 3111
800 ... 1250	18	S4	Black	I - 0	IP65	Yes	1443 3111
800 ... 1250	18	S4	Red/Yellow	I - 0	IP65	Yes	1444 3111

(1) IP: protection degree according to IEC 60529 standard.

Padlockable handle in position 0 and I					
Rating (A)	Frame size	Handle type	Handle colour	External IP ⁽¹⁾	Reference
CD 25 ... 63	0/11/12	S1	Black	IP65	1413 2311
100 ... 400	13 ... 16	S2	Black	IP65	1423 2311

(1) IP: protection degree according to IEC 60529 standard.



External right side operation handle

Rating (A)	Frame size	Handle type	Handle colour	External IP ⁽¹⁾	Reference
CD 25 ... 63	0/11/12	S1	Black	IP55	1415 2111
CD 25 ... 63	0/11/12	S1	Black	IP65	1417 2111
CD 25 ... 63	0/11/12	S1	Red/Yellow	IP65	1418 2111
100 ... 400	13 ... 16	S2	Black	IP55	1425 2111
100 ... 400	13 ... 16	S2	Black	IP65	1427 2111
100 ... 400	13 ... 16	S2	Red/Yellow	IP65	1428 2111
630 ... 1250	17/18	S3	Black	IP65	1437 3111
630 ... 1250	17/18	S3	Red/Yellow	IP65	1438 3111

(1) IP: protection degree according to IEC 60529 standard.



External front operation handle with metal padlocking lever

Rating (A)	Frame size	Handle type	Handle colour	External IP ⁽¹⁾	Defeatable handle	Reference
CD 25 ... 63	0/11/12	S1	Black	IP65	Yes	141D 2911
CD 25 ... 63	0/11/12	S1	Red/Yellow	IP65	Yes	141E 2911
100 ... 400	13 ... 16	S2	Black	IP65	Yes	142D 2911
100 ... 400	13 ... 16	S2	Red/Yellow	IP65	Yes	142E 2911
600 ... 800	17	S3	Black	IP65	Yes	143D 3911
600 ... 800	17	S3	Red/Yellow	IP65	Yes	143E 3911
800 ... 1250	18	S4	Black	IP65	Yes	144D 3911
800 ... 1250	18	S4	Red/Yellow	IP65	Yes	144E 3911

(1) IP: protection degree according to IEC 60529 standard.



S-type handle adapter

Use

Enables S-type handles to be fitted in place of existing older style Socomec handles.
Adapter can be utilised as a spacer to increase the distance between the panel door and the handle lever.

Dimensions

Adds 12 mm to the depth of the handle.

Handle colour	To be ordered in multiples of	External IP ⁽¹⁾	Reference
Black	1	IP65	1493 0000

(1) IP: protection degree according to IEC 60529 standard.



Alternative S-type handle cover colours

Use

For single lever handles S1, S2, S3 types and double lever handle, S4 type.
Other colours: please consult us.

Handle colour	To be ordered in multiples of	Handle type	Reference
Light grey	50	S1, S2	1401 0001
Dark grey	50	S1, S2	1401 0011
Light grey	50	S4	1401 0031
Dark grey	50	S4	1401 0041



FUSERBLOC BS88

Fuse load break switches

from 25 to 1250 A

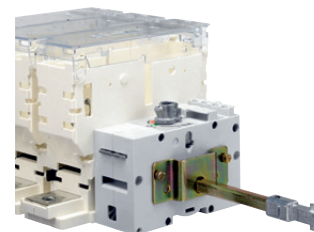
Accessories (continued)

Flat mounting kit

Use

The flat mounting providing compact solution ideally suited to withdrawable applications. Kit to be used with a handle for flat mounting.

Rating (A)	Frame size	Type	Reference
CD 25 ... CD 32	0	Kit + Shaft 200 mm	1429 7709
50 ... 400	11 ... 16	Kit + Shaft 200 mm	1429 7710



fuser_535

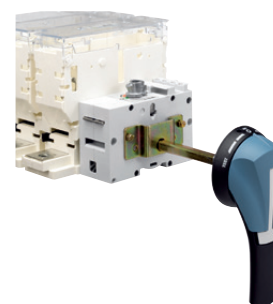
Handle for flat mounting kit

Padlockable handle in position 0

Rating (A)	Frame size	Handle type	Handle colour	External IP ⁽¹⁾	Reference
CD 25 ... 63	0/11/12	S1	Black	IP55	1411 2111 ⁽²⁾
CD 25 ... 63	0/11/12	S1	Red/Yellow	IP65	1414 2111 ⁽²⁾
100 ... 400	13 ... 16	S2	Black	IP55	1421 2111 ⁽²⁾
100 ... 400	13 ... 16	S2	Red/Yellow	IP65	1424 2111 ⁽²⁾

(1) IP: protection degree according to IEC 60529 standard.

(2) Defeatable handle in position I.



fuser_536

Front operation shaft support accessory

Use

This support maintains shaft position for extension shafts greater than 320 mm in length.

Rating (A)	Frame size	Reference
50 ... 400	11 ... 16	3899 0400



fuser_698

Shaft guide for external operation

Use

To guide the shaft extension into the external handle.

This accessory enables the handle to engage the extension shaft with a misalignment of up to 15 mm.

Required for a shaft lengths over 320 mm.

Description	Reference
Shaft guide	1429 0000



access_260

Shaft for external front operation handle

Use

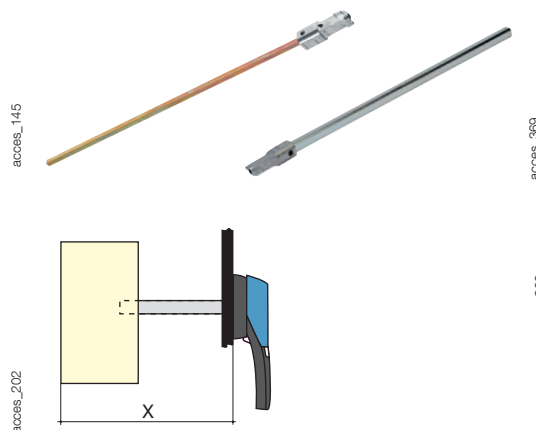
Standard lengths: Other lengths: consult us.

- 200 mm
- 320 mm
- 400 mm
- 500 mm.

Rating (A)	Frame size	Shaft length (mm)	Reference
CD 20 ... CD 32	0	200	1401 0520
CD 20 ... CD 32	0	320	1401 0532
CD 20 ... CD 32	0	400	1401 0540 ⁽¹⁾
32 ... 400	11 ... 16	200	1400 1020
32 ... 400	11 ... 16	320	1400 1032
32 ... 400	11 ... 16	500	1400 1050 ⁽²⁾
630 ... 800	17	200	1400 1220
630 ... 1250	17/18	320	1400 1232
630 ... 1250	17/18	500	1400 1250 ⁽¹⁾

(1) Use the shaft guide accessory for external operation.

(2) Use the front operation shaft support accessory.



Dimension X (mm) for FUSERBLOC BS88

Rating (A)	CD 20 ... CD 32	32	63 ... 160	CD160 ... CD200	160 ... 200	250 ... 315	630 ... 800	1250
Fuse size	A1	A1	A2-A3/A4	A3-A4	B1-B2	B1-B2-B3	C1-C2-C3	D1
Frame size	0	11	12/13/14	13 A	14/15	15/16	17	18
Shaft length (mm)								
200	102 ... 245	100 ... 230	125 ... 230	150 ... 230	135 ... 230	160 ... 230	270 ... 304	
320	102 ... 365	100 ... 350	125 ... 350	150 ... 350	135 ... 350	160 ... 350	270 ... 424	304 ... 424
400	102 ... 445							
500		100 ... 530	125 ... 530	150 ... 530	135 ... 530	160 ... 530	270 ... 600	304 ... 600

Dimension X (mm) for FUSERBLOC NFC and DIN

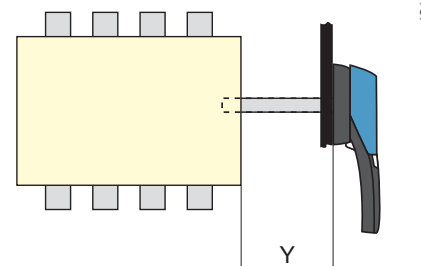
Rating (A)	CD 25 ... CD 32	50	63	100 ... 160	160	250 ... 400	630 ... 800	800 ... 1250
Fuse size	10x38/14x51	14x51	00C	22x58/00	0	1/2	3	4
Frame size	0	11	12	13	14	15/16	17	18
Shaft length (mm)								
200	102 ... 245	100 ... 230	125 ... 230	135 ... 230	145 ... 230	160 ... 230	270 ... 304	
320	102 ... 365	100 ... 350	125 ... 350	135 ... 350	145 ... 350	160 ... 350	270 ... 424	304 ... 424
400	102 ... 445	100 ... 430	125 ... 430	135 ... 430	145 ... 430	160 ... 430	270 ... 504	304 ... 504
500		100 ... 530	125 ... 530	135 ... 530	145 ... 530	160 ... 530	270 ... 604	304 ... 604

Shaft extensions for external side operation

Use

Standard lengths, 200 mm.

Rating (A)	Frame size	Handle type	Dimension Y (mm)	Shaft length (mm)	Reference
CD 25 ... CD 32	0	S	36 ... 159	200	1401 0520
50 ... 400	11 ... 16	S	36 ... 172	200	1400 1020
630 ... 1250	17/18	S	15 ... 150	200	1400 1220



FUSERBLOC BS88

Fuse load break switches

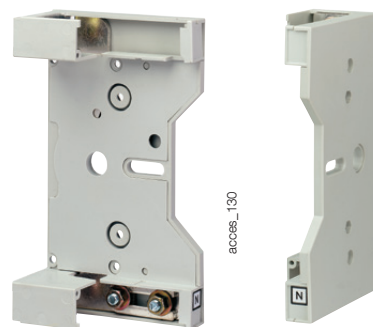
from 25 to 1250 A

Accessories (continued)

Integrated solid neutral link

Use

Fixing the solid neutral onto the mechanism produces a device with a solid neutral of the same size as a standard three-pole device (+ 6 mm).



access_130

BS88 for external front operation

Rating (A)	Switch body size	Bar rating (A)	Reference
32 ... 100	11/12/13	125	3829 9310
CD 160 ... CD 200	13a	200	3829 9320
160	14	200	3829 9320
200 ... 250	15	250	3829 9325
315 ... 400	16	400	3829 9339
630 ... 800	17	800	3829 9308
1250	18	1250	3829 9312

NFC and DIN For external front operation

Rating (A)	Frame size	Bar rating (A)	Reference
50 ... 125	11/12/13	125	3829 9310
160	13	160	3829 9320
160	14	200	3829 9320
250	15	250	3829 9325
400	16	400	3829 9339
630 ... 800	17	800	3829 9308
800 ... 1250	18	1250	3829 9312

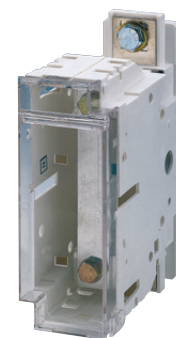
Solid neutral module

BS88 for external front operation

Rating (A)	Switch body size	I _{max} (A)	Distance (mm)	Reference
32	1/11	32	27	3629 9227
63	2/12	63	32	3629 9232
100	3/13	100	36	3629 9236
CD 160 ... CD 200	13 a	200	36	3629 9237
160	4/14	160	50	3629 9250
200 ... 250	5/15	250	60	3629 9260
315 ... 400	6	400	66	3629 9265
630 ... 800	17	800	94	3629 9294
1250	18	1250	120	3629 9212

NFC and DIN For external front operation

Rating (A)	Frame size	I _{max} (A)	Distance (mm)	Reference
50	1/11	50	27	3629 9227
63	2/12	63	32	3629 9232
100 ... 160	3/13	160	36	3629 9236
160	4/14	160	50	3629 9250
250	5/15	250	60	3629 9260
400	6/16	400	60	3629 9265
630 ... 800	17	800	94	3629 9294
800 ... 1250	18	1250	120	3629 9212



access_199

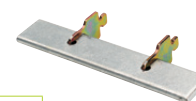
Solid links

BS88 switches

Rating (A)	Frame size	Fuse size	I _{max} (A)	Reference
32	11	A1	32	3629 9003
63	12	A2-A3	63	3629 9006
100	13	A4	160	3629 9010
CD 160	13a	A3-A4	160	3629 9010
160	14	A4	160	3629 9010
160	14	B1-B2	200	3629 9016
CD 200	13a	A3-A4	160	3629 9010
200	15	B1-B2	200	3629 9016
250	15	B1-B2-B3	315	3629 9025
315	16	B1-B2-B3	315	3629 9025
400	16	B1-B2-B3-B4	400	3629 9040
630 ... 800	17	C1-C3	800	3629 9063
1250	18	D1	1250	3629 9120

NFC and DIN switches

Rating (A)	Frame size	Fuse size	I _{max} (A)	Reference
50	1/11	14 x 51	50	6029 0000
63	2/12	00C	160	6420 0000
100 ... 125	3/13	22 x 58	125	6039 0000
125 ... 160	3/13	00	160	6420 0000
160	4/14	0	160	6421 0000
250	5/15	1	250	6421 0001
400	6/16	2	400	6421 0002
630 ... 800	17	3	800	6421 0003
800 ... 1250	18	4	1250	6441 0005



fuslb_124



fuslb_123

A-type auxiliary contacts

Use

Pre-break and position 0 and I signalling by 1 or 2 NO /NC auxiliary contacts.

For low level use, specific auxiliary contacts: please consult us.

References

NO / NC auxiliary contacts			
Rating (A)	Frame size	Contact(s)	Reference
CD 20 ... CD 32	0	1	3999 0001
CD 20 ... CD 32	0	2	3999 0002
32 ... 400 ⁽¹⁾	1 ... 6	1	3999 0021 ⁽²⁾
32 ... 400 ⁽¹⁾	1 ... 6	2	3999 0022 ⁽²⁾

(1) Side direct operation switch only.

(2) A type auxiliary contacts cannot be mounted in conjunction with integrated solid neutral.

Characteristics

Rating (A)	Current nominal (A)	Operating current I _e (A)			
		250 VAC AC-13	400 VAC AC-13	24 VDC DC-13	48 VDC DC-13
CD 20 ... 400	16	4	2	12	2

Connection to the control circuit

By 6.35 mm fast-on terminal.

Electrical characteristics

30 000 operations.



access_046



access_047

U-type auxiliary contacts⁽¹⁾

Use

Compact universal type auxiliary contacts which can be configured for operation in either, or both, ON and TEST positions for CD 20 to 1250 A FUSERBLOC. Each slot can accommodate up to two interlocked A/Cs.

References

NO auxiliary contacts			
Rating (A)	Frame size	Contact(s)	Reference ⁽¹⁾
CD 20 ... 1250	0 ... 18	1	3999 0701 ⁽²⁾

NC auxiliary contacts			
Rating (A)	Frame size	Contact(s)	Reference ⁽¹⁾
CD 20 ... 1250	0 ... 18	1	3999 0702 ⁽²⁾

Contact holder for additional auxiliary contacts			
Rating (A)	Frame size	Contact(s) ⁽³⁾	Reference
CD 20 ... CD 32	0	4 (2 x 2 max)	3999 0710
32 ... 400	11 ... 16	4 (2 x 2 max)	3999 0600

(1) Cannot be mounted in direct operation CD 20 - CD 32 switches..

(2) CD 20 - CD 200 A 4 auxiliary contacts can be fitted without additional A/C holder.

200 - 400 A 8 auxiliary contacts can be fitted without additional A/C holder.

630 - 1250 A 8 auxiliary contacts can be fitted. No additional A/C holder available.

(3) Allows an additional 4 auxiliary contacts to be fitted.

Characteristics

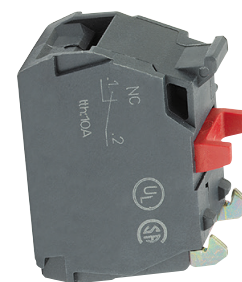
Rating (A)	Operating current I _e (A)			
	250 VAC AC-15	400 VAC AC-15	24 VDC DC-13	48 VDC DC-13
CD 20 ... 1250	3	1.8	2.8	1.4

Connection to the control circuit

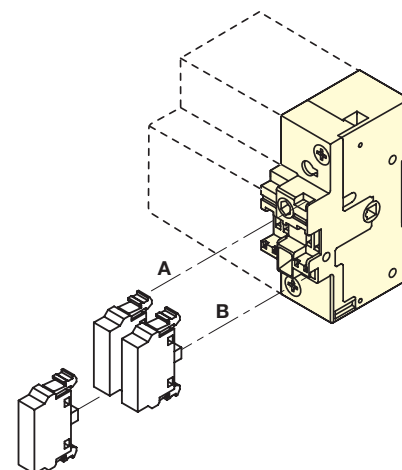
By terminals with max. section 2 x 2.5 mm².

For FUSERBLOC CD 20 to 400 A. Pre-break and signalling of positions 0, I and TEST.

For FUSERBLOC ≥ 630 A: Pre-break and position 0 and I signalling.



access_056



access_043

(1) CD 20 - CD 32 : U-type auxiliary contacts cannot be mounted on switches with an integrated solid neutral or with direct operation handle.

FUSERBLOC BS88

Fuse load break switches

from 25 to 1250 A

Accessories (continued)

S and ST-type auxiliary contacts

Use

For FUSERBLOCs 32 to 1250 A, position 0 and I signalling by 1 to 4 NO + NC auxiliary contacts.

Electrical principle

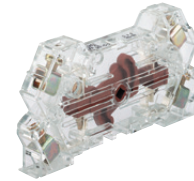
The NO + NC S-type auxiliary contacts can be configured as 2 NC or 2 NO.

Connection

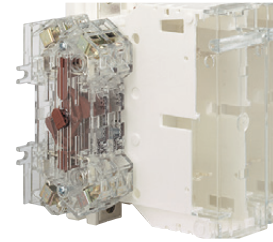
By terminals with max. cross-section 10 mm².

Mechanical characteristics

30 000 operations.



accses_051



accses_063

References

S-type auxiliary contacts 0-I

for external front and right-side operation (Standard operation)

Rating (A)	Frame size	Contact type	S-type AC Reference	Drive shaft (optional) Reference
32 ... 1250	11 ... 18	NC+NO	3999 0041 ⁽¹⁾	3999 0003

ST-type auxiliary contacts I-0-TEST

for external front and right-side operation (TEST operation)

Rating (A)	Frame size	Contact type	Description	ST-type AC Reference	Drive shaft Reference
32 ... 400	11 ... 16	NC+NO	TEST + ON	3999 0141 ⁽²⁾	3999 0103
32 ... 400	11 ... 16	2 O	TEST + ON	3999 0241 ⁽²⁾	3999 0103

(1) Drive shaft included with S-type Auxiliary Contact.

(2) Drive shaft to be ordered in addition to the ST-type Auxiliary Contact.

Characteristics

Rating (A)	Current nominal (A)	Operating current I _o (A)	
		250 VAC AC-13	400 VAC AC-13
32 ... 1250	20	10	8

Important:

> For the 400 A frame size 16, an adaptation kit reference 3999 0000 must be ordered in addition to the auxiliary contact kit.

Fuse cover interlocking

Use

On NFC and DIN, side direct operation, locking of the opening of the fuse protection cover when FUSERBLOC is engaged (position I).

Rating (A)	Frame size	Fuse size	No. of poles	Reference
CD 20 ... 50	0 ... 1	10 x 38 / 14 x 51	2 / 3 / 4	included
63	2	00C	2 / 3 / 4	3999 8906
100 ... 125	3	22 x 58	2 / 3 / 4	3999 8912
125 ... 160	3	00	2 / 3 / 4	3999 8912
160	4	0	2 P	3999 8216
160	4	0	3 P	3999 8316
160	4	0	4 P	3999 8416
250	5	1	2 P	3999 8225
250	5	1	3 P	3999 8325
250	5	1	4 P	3999 8425
400	6	2	2 P	3999 8240
400	6	2	3 P	3999 8340
400	6	2	4 P	3999 8440

Terminal shrouds

Use

Top or bottom IP20 protection (on the front) against direct contact with terminals or connection parts.

Two sets required to fully shroud both incoming and outgoing terminals.

Rating (A)	Frame size	Position	No. of poles	Reference
CD 20 ... 63	0/1/2/12	top / bottom	2 / 3 / 4 P	integrated
100 ... CD 200	3/4/13/14	top / bottom	2 P	3998 2016
100 ... CD 200	3/4/13/14	top / bottom	3 P	3998 3016
100 ... CD 200	3/4/13/14	top / bottom	4 P	3998 4016
200 ... 400	5/6/15	top / bottom	2 P	3998 2025
200 ... 400	5/6/15	top / bottom	3 P	3998 3025
200 ... 400	5/6/15	top / bottom	4 P	3998 4025
315 ... 400	16	top / bottom	2 P	3898 2040
315 ... 400	16	top / bottom	3 P	3898 3040
315 ... 400	16	top / bottom	4 P	3898 4040
630 ... 800	17	top / bottom	2 P	3898 2080
630 ... 800	17	top / bottom	3 P	3898 3080
630 ... 800	17	top / bottom	4 P	3898 4080
800 ... 1250	18	top / bottom	2 P	3898 2120
800 ... 1250	18	top / bottom	3 P	3898 3120
800 ... 1250	18	top / bottom	4 P	3898 4120



fuser_314

NFC and DIN worked fuse indication

Use

For fuse cartridge with striker (size 14 x 51 22 x 58; 0; 1; 2; 3 and 4).

Electrical principle

A NO/NC auxiliary contact detects that the fuse has blown.

References

NO/NC type auxiliary contacts for 2 pole

Rating (A)	Frame size	Fuses	Contact(s)	Reference
50	11	14 x 51	1 st	3994 0405
100 ... 125	13	22 x 58	1 st	3994 0210
160	14	0	1 st	3994 0216
250	15/16	1-2	1 st	3994 0225
400 ⁽¹⁾	16	2	1 st	3894 0440
630	17	3	1 st	3894 1206
800 ... 1250	18	4	1 st	3894 1212

NO/NC type auxiliary contacts for 3 pole

Rating (A)	Frame size	Fuses	Contact(s)	Reference
CD 32	0	14 x 51	1 st	3994 0303
50	11	14 x 51	1 st	3994 0405
100 ... 125	13	22 x 58	1 st	3994 0310
160	14	0	1 st	3994 0316
250	15/16	1-2	1 st	3994 0325
400 ⁽¹⁾	16	2	1 st	3894 0440
630	17	3	1 st	3894 1306
800 ... 1250	18	4	1 st	3894 1312
50 ... 250	11	-	2 nd	3994 1901
400	16	2	2 nd	3994 1902
630 ... 1250	16	-	2	3994 1901

NO/NC type auxiliary contacts for 4 pole or 3 pole + neutral

Rating (A)	Frame size	Fuses	Contact(s)	Reference
50	11	14 x 51	1 st	3994 0405
100 ... 125	13	22 x 58	1 st	3994 0410
160	14	0	1 st	3994 0416
250	15/16	1-2	1 st	3994 0425
400 ⁽¹⁾	16	2	1 st	3894 0440
630	17	3	1 st	3894 1406
800 ... 1250	18	4	1 st	3894 1412
50 ... 250	11	-	2 nd	3994 1901
400	16	2	2 nd	3994 1902
630 ... 1250	16	-	2	3994 1901

(1) For front direct and external left side operation handles, please order references 39940225 (2P), 39940325 (3P), 39940425 (4P)

Characteristics

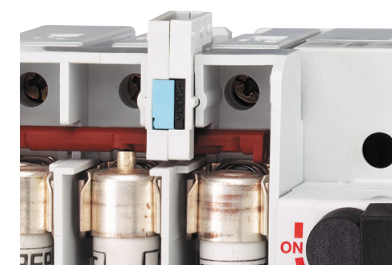
Rating (A)	Current nominal (A)	Operating current I _o (A)			
		250 VAC AC-13	400 VAC AC-13	24 VDC DC-13	48 VDC DC-13
CD 32 ... 1250	16	4	3	12	2

Connection to the control circuit

6.35 mm fast-on terminal.

Mechanical characteristics

30 000 operations.



DDMM for cylindrical fuses

fuser_311



DDMM for NH fuses

fuser_312

FUSERBLOC BS88

Fuse load break switches

from 25 to 1250 A

Accessories (continued)

Electronic fuse monitoring device (FMD)

Use

Provides fuse status monitoring and fuse blown indication even for fuse links without monitoring device strikers. Suitable for use with BS88, DIN and UL type fuses.

Principle

The Fuse Monitoring Device (FMD) detects fuse status and provides a signal via: a relay and a bi-stable relay and 3 LEDs (FMD30).

The FMD can be DIN rail or back plate mounted close to the Fuserbloc, directly mounted on the FUSERBLOC, or it can be door mounted to provide information directly on the front of a panel.



access_310

3 LED version (FMD30)

References

For FUSERBLOC 63 to 1250A - size 000 to 4

Nb of LEDs	Operating voltage Ph/Ph	Reference
3 (FMD30)	120 - 260 VAC	3899 3120
3 (FMD30)	380 - 690 VAC	3899 3380
Accessories		Reference
Kit for connection accessories	Standard	3819 9120
Kit for connection accessories	Door mounted	3829 9120

Relay characteristics

Rating (A)	Relay operating current I _c (A)	
	AC-15	DC-13
63 ... 1250	2.5 A	0.2

Important:

- For direct mounting on the 400 A frame size 16, an adaptation kit reference 3999 0000 must be ordered in addition to the FMD.

Cage terminals

Use

Connection of bare copper cables onto the terminals (without lugs).

References

Rating max (A)	Frame size	No. of poles	Reference
CD 20 ... 63	0 ... 12	2 / 3 / 4 P	integrated
100 ... 160	13/14	3 P	5400 3016
100 ... 160	13/14	4 P	5400 4016
250	15	3 P	5400 3025
250	15	4 P	5400 4025
400	16	3 P	5400 3040
400	16	4 P	5400 4040

Connections

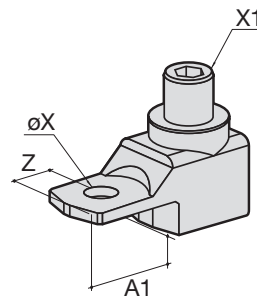
Rating (A)	Flexible cable cross-section (mm ²)	Rigid cable cross-section (mm ²)	Flexible bar width (mm)	Stripped over (mm)
100 ... 160	16 ... 95	16 ... 95	13	22
250	16 ... 185	16 ... 185	18	27
400	50 ... 240	50 ... 300	20	34

Dimensions

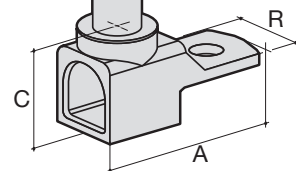
Rating (A)	A	A1	C	R	ØX	X1	Z
100 ... 160	47.5	22.5	25	20	8.5	M12	10
250	62	31.5	31.5	25	10.5	M16	14
400	71.5	32	38	32	10.5	M20	15



access_053



access_091



access_092

Handle key interlocking accessories

Use

Locking in position 0 of the direct, front or right side operation:

- using a padlock (not supplied) in direct right side operation: integrated into the handle,

- using a padlock (not supplied): right-side or front operation switch from 32 to 1250 A, factory integrated

- using a padlock (not supplied) in external operation.

Locking using RONIS EL 11 AP lock (not supplied)

Rating (A)	Frame size	Operation	Figure n°	Reference
CD 20 ... 1250	0 ... 18	external front	2	1499 7701
32 ... 63	1/2	direct	1	3629 7903
100 ... 400	3 ... 6	direct	1	3629 7913
630 ... 1250	17 ... 18	direct		3829 7923

Locking using K-type CASTELL lock (not supplied)

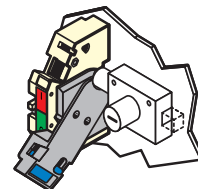
Rating (A)	Frame size	Operation	Figure n°	Reference
CD 20 ... 1250	0 ... 18	external front	3	1499 7702

Locking using FS-type CASTELL lock (not supplied)

Rating (A)	Frame size	Operation	Figure n°	Reference
CD 20 ... 1250	0 ... 18	external front	3	1499 7703

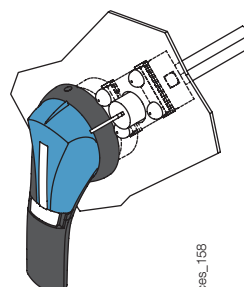
Locking using XOP (not supplied)

Rating (A)	Frame size	Operation	Reference
CD 20 ... 1250	0 18	external front	1499 7702



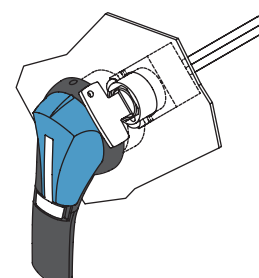
access_042

Fig. 1



access_156

Fig. 2



access_157

Fig. 3

Label holder

Use

Recognisable self-adhesive label allowing identification of the devices.

Dimensions W x H (mm)	Nb of pieces in KIT	Reference
18 x 13	5	7769 9999



access_044

FUSERBLOC BS88

Fuse load break switches

from 25 to 1250 A

Characteristics according to IEC 60947-3

20 to 100 A

Reference	3641 X000	3631 X002	3631 X003	36X1 X004	3831 X003	3831 X005	38X1 X006	38X1 X010
Type	CD 20A	CD 25 A	CD 32 A	CD 32 A	Mod. 32 A	Mod. 50 A	Mod. 63 A	Mod. 100 A
Frame size	0	0	0	0	11	11	12	13
Power pole pitch (mm)	-	-	-	-	27	27	32	36
Number of pole (SWN= switched neutral, SLN=solid neutral)	3, 4(SWN), 4(SLN)	3, 4(SWN), 4(SLN)	3, 4(SWN), 4(SLN)	3, 4(SWN), 4(SLN)	2, 3, 4	2, 3, 4	2, 3, 4	2, 3, 4
Thermal current I_{th} (35°C)	20 A	25 A	CD 32 A	CD 32 A	32 A	50 A	63 A	100 A
Fuse size BS88 & NFC/DIN	A1 /-	-/NFC 10 x 38	-/NFC 10 x 38	A1/NFC 14 x 51	A1/-	-/NFC 14 x 51	A2-A3/NH000	A4*/NFC 22 x 58
Rated operational voltage U _e (V)	690	690	690	690	690	690	690	690
Rated insulation voltage U _i (V)	800	800	800	800	800	800	800	800
Rated impulse withstand voltage U _{imp} (kV)	8	8	8	8	8	8	8	8

Rated conditional short-circuit current (kA) in withstand and closing with gM/gG fuse

Associated gM/gG fuse rating (A)	20	25	32	32	50	50	63	100
Prospective short-circuit current at U _e 400/415 VAC (kA rms)	80	100	100	100	100	100	100	100
Prospective short-circuit current at U _e 660/690 VAC (kA rms)	80	100	100	-	100	100	100	100
Dynamic withstand in I _{sc} U _e 415 VAC (peak kA)	-	5.5	5.5	5.5	5.52	5.52	7.3	11.9
Dynamic withstand in I _{sc} U _e 690 VAC (peak kA)	-	5.2	6.1	-	6.5	6.5	7.3	15.8

Rated operational currents I_e (A)

Nominal voltage	Category of use	A/B ⁽¹⁾	A/B ⁽¹⁾	A/B ⁽¹⁾	A/B ⁽¹⁾	A/B ⁽¹⁾	A/B ⁽¹⁾	A/B ⁽¹⁾	A/B ⁽¹⁾
415 VAC	AC 21 A / AC 21 B	20/20	25/25	32/32	32/32	50/50	50/50	63/63	100/100
415 VAC	AC 22 A / AC 22 B	20/20	25/25	32/32	32/32	50/50	50/50	63/63	100/100
415 VAC	AC 23 A / AC 23 B	20/20	25/25	32/32	32/32	50/50	50/50	63/63	100/100
500 VAC	AC 21 A / AC 21 B	20/20	25/25	32/32	32/32	50/50	50/50	63/63	100/100
500 VAC	AC 22 A / AC 22 B	20/20	25/25	32/32	32/32	50/50	50/50	63/63	100/100
500 VAC	AC 23 A / AC 23 B	20/20	25/25	32/32	32/32	50/50	50/50	63/63	100/100
690 VAC ⁽¹⁾	AC 20 A / AC 20 B	20/20	25/25	32/32	32/32	50/50	50/50	63/63	100/100
690 VAC ⁽¹⁾	AC 21 A / AC 21 B	20/20	25/25	32/32	32/32	50/50	50/50	63/63	100/100
690 VAC ⁽¹⁾	AC 22 A / AC 22 B	20/20	25/25	32/32	32/32	50/50	50/50	63/63	100/100
690 VAC ⁽¹⁾	AC 23 A / AC 23 B	20/20	25/25	32/32	32/32	50/50	50/50	63/63	100/100
220 VDC	DC 21 A / DC 21 B	-	-/25	-/32	-/32	-	-	-/63	100/100
220 VDC	DC 22 A / DC 22 B	-	-/25	-/32	-/32	-	-	-	100/100
220 VDC	DC 23 A / DC 23 B	-	-/25 ⁽¹⁾	-/25 ⁽¹⁾	-/25 ⁽¹⁾	-	-	-	100/100
400 VDC	DC 21 A / DC 21 B	-	-	-	-	-	-	-/63 ⁽³⁾	100 ⁽³⁾ /100 ⁽³⁾
400 VDC	DC 22 A / DC 22 B	-	-	-	-	-	-	-	100 ⁽³⁾ /100 ⁽³⁾
400 VDC	DC 23 A / DC 23 B	-	-	-	-	-	-	-	100 ⁽³⁾ /100 ⁽³⁾
440 VDC	DC 21 A / DC 21 B	-	-	-	-	-	-	-/63 ⁽³⁾	100 ⁽³⁾ /100 ⁽³⁾
440 VDC	DC 22 A / DC 22 B	-	-	-	-	-	-	-	100 ⁽³⁾ /100 ⁽³⁾
440 VDC	DC 23 A / DC 23 B	-	-	-	-	-	-	-	100 ⁽³⁾ /100 ⁽³⁾
500 VDC	DC 21 A / DC 21 B	-	-	-	-	-	-	-/63 ⁽³⁾	100 ⁽³⁾ /100 ⁽³⁾
500 VDC	DC 22 A / DC 22 B	-	-	-	-	-	-	-	100 ⁽³⁾ /100 ⁽³⁾
500 VDC	DC 23 A / DC 23 B	-	-	-	-	-	-	-	100 ⁽³⁾ /100 ⁽³⁾

⁽¹⁾ Catégorie avec indice A = manœuvres fréquentes / Catégorie avec indice B = manœuvres non fréquentes.

⁽³⁾ Appareil 3 pôles avec 2 pôles "+" en série et 1 pôle "-".

20 to 100 A

Rated operational power in AC-23 (kW)

At U _e 415 VAC w/o pre-break auxiliary contact ⁽¹⁾⁽⁵⁾	9/9	11/11	15/15	15/15	25/25	25/25	30/30	51/51
At U _e 690 VAC w/o pre-break auxiliary contact ⁽¹⁾⁽⁵⁾	15/15	22/22	25/25	25/25	45/45	45/45	55/55	90/90

Reactive power (kvar)

At U _e 415 VAC ⁽⁵⁾	8	11	15	15	23	23	28	45
--	---	----	----	----	----	----	----	----

Power dissipation (W/pole)	3.2	3.1	4.1	4.4	7.3	7,3	8.4	14.5
Power dissipated by the fuse (W/pole)	2,5	2,4	2,9	1,8	4,6	4,6	6	9
Power dissipation by device (W/pole)	0.7	0.7	1.2	2.6	2.45	2.45	4.35	6.8

Connection capacity

Minimum copper cable cross section (mm ²)	2,5	2,5	2,5	2,5	6	6	10	25
Maximum copper cable cross section (mm ²)	6	16	16	6	25	25	25	95
Maximum bar width (mm)	-	-	-	-	-	-	-	20
Minimum tightening torque (Nm)	2	2	2	2	3	3	3	9

Mechanical characteristics

Durability (number of operating cycles)	10 000	10 000	10 000	10 000	10 000	10 000	10 000	10 000
Operating torque (Nm)	2.4/3	4.1	4.1	2.4/3	8.7	8.7	8.7	9.7
Weight of a non-accessorized 3-pole device (kg)	0.52	0.48	0.48	0.50	0.80	0.80	1	1.5
Weight of a non-accessorized 4-pole device (kg)	0.55	0.50	0.50	0.52	1	1	1.3	2
Weight in additional 1 P (kg)	-	-	-	-	0.2	0.2	0.3	0.5

Storage temperature (°C)	-50 ...+85							
Operating temperature (°C)	-20...+70							
Normative compliance	IEC 60947-3							
Certification	IEC, KEMA, Loyd's et CCC							
Pollution degree	3	3	3	3	3	3	3	3

⁽¹⁾ Catégorie avec indice A = manœuvres fréquentes / Catégorie avec indice B = manœuvres non fréquentes.

⁽⁵⁾ La valeur de puissance est donnée à titre indicatif, les valeurs de courant varient d'un constructeur à l'autre.

FUSERBLOC BS88

Fuse load break switches

from 25 to 1250 A

Characteristics according to IEC 60947-3

125 to 200 A

Reference	3831 X011	3831 X012	3841 X014	3831 X015	38x1 X016	3841 X019	3841 X021
Type	Mod. 125 A	Mod. 125 A	Mod. CD160 A	Mod. 160 A	Mod. 160 A	Mod. CD 200 A	Mod. 200 A
Frame size	13	13	13A	13	14	13A	15
Power pole pitch (mm)	36	36	36	36	50	36	60
Number of pole (SWN= switched neutral, SLN=solid neutral)	2, 3, 4	2, 3, 4	2, 3, 4	2, 3, 4	2, 3, 4	2, 3, 4	2, 3, 4
Thermal current I_{th} (35°C)	125A	125A	160A	160A	160A	200A	200A
Fuse size BS88 & NFC/DIN	-/NFC 22 x 58	-/NH00	A3-A4/-	-/NH00	A4/NH0	A3 - A4* / -	B1-B2/-
Rated operational voltage U _e (V)	690V	690V	690V	690V	690V	415V	690V
Rated insulation voltage U _i (V)	800	800	800	800	800	800	800
Rated impulse withstand voltage U _{imp} (kV)	8	8	8	8	8	8	8

Rated conditional short-circuit current (kA) in withstand and closing with gM/gG fuse

Associated gM/gG fuse rating (A)	125	125	160	160	160	200	200
Prospective short-circuit current at U _e 400/415 VAC (kA rms)	100	50	50	50	100	50	50
Prospective short-circuit current at U _e 660/690 VAC (kA rms)	100	50	50	50	50	50	50
Dynamic withstand in I _{sc} U _e 415 VAC (peak kA)	13,6	-	-	18,95	22,66	5,52	7,3
Dynamic withstand in I _{sc} U _e 690 VAC (peak kA)	20,4	10,4	-	13,5	14	6,5	7,3

Rated operational currents I_e (A)

Nominal voltage	Category of use	A/B ⁽¹⁾	A/B ⁽¹⁾	A/B ⁽¹⁾	A/B ⁽¹⁾	A/B ⁽¹⁾	A/B ⁽¹⁾	A/B ⁽¹⁾
415 VAC	AC 21 A / AC 21 B	125/125	125/125	160/160	160/160	160/160	-/200	200/200
415 VAC	AC 22 A / AC 22 B	125/125	125/125	160/160	160/160	160/160	-/200	200/200
415 VAC	AC 23 A / AC 23 B	125/125	125/125	160/160	160/160	160/160	200/200	200/200
500 VAC	AC 21 A / AC 21 B	125/125	125/125	160/160	160/160	160/160	-	200/200
500 VAC	AC 22 A / AC 22 B	125/125	125/125	160/160	160/160	160/160	-	200/200
500 VAC	AC 23 A / AC 23 B	125/125	125/125	160/160	160/160	160/160	-	200/200
690 VAC ⁽¹⁾	AC 20 A / AC 20 B	125/125	125/125	160/160	160/160	160/160	-	200/200
690 VAC ⁽¹⁾	AC 21 A / AC 21 B	100/100	125/125	160/160	160/160	160/160	-	200/200
690 VAC ⁽¹⁾	AC 22 A / AC 22 B	100/100	125/125	160/160	160/160	160/160	-	200/200
690 VAC ⁽¹⁾	AC 23 A / AC 23 B	100/100	125/125	125/125	125/125	160/160	-	160/160
220 VDC	DC 21 A / DC 21 B	-	128/125	160/160	160/160	-	-	-
220 VDC	DC 22 A / DC 22 B	-	125/125	160/160	160/160	-	-	-
220 VDC	DC 23 A / DC 23 B	-	125/125	125/125	125/125	-	-	-
400 VDC	DC 21 A / DC 21 B	-	125 ⁽³⁾ /125 ⁽³⁾	160 ⁽³⁾ /160 ⁽³⁾	160 ⁽³⁾ /160 ⁽³⁾	-	-	-
400 VDC	DC 22 A / DC 22 B	-	125 ⁽³⁾ /125 ⁽³⁾	160 ⁽³⁾ /160 ⁽³⁾	160 ⁽³⁾ /160 ⁽³⁾	-	-	-
400 VDC	DC 23 A / DC 23 B	-	125 ⁽³⁾ /125 ⁽³⁾	125 ⁽³⁾ /125 ⁽³⁾	125 ⁽³⁾ /125 ⁽³⁾	-	-	-
440 VDC	DC 21 A / DC 21 B	-	125 ⁽³⁾ /125 ⁽³⁾	160 ⁽³⁾ /160 ⁽³⁾	160 ⁽³⁾ /160 ⁽³⁾	-	-	-
440 VDC	DC 22 A / DC 22 B	-	125 ⁽³⁾ /125 ⁽³⁾	160 ⁽³⁾ /160 ⁽³⁾	160 ⁽³⁾ /160 ⁽³⁾	-	-	-
440 VDC	DC 23 A / DC 23 B	-	125 ⁽³⁾ /125 ⁽³⁾	125 ⁽³⁾ /125 ⁽³⁾	125 ⁽³⁾ /125 ⁽³⁾	-	-	-
500 VDC	DC 21 A / DC 21 B	-	-	-	-	-	-	-
500 VDC	DC 22 A / DC 22 B	-	-	-	-	-	-	-
500 VDC	DC 23 A / DC 23 B	-	-	-	-	-	-	-

Rated operational power in AC-23 (kW)

⁽¹⁾ Catégorie avec indice A = manœuvres fréquentes / Catégorie avec indice B = manœuvres non fréquentes.

⁽³⁾ Appareil 3 pôles avec 2 pôles "+" en série et 1 pôle "-".

20 to 100 A

At Ue 415 VAC w/o pre-break auxiliary contact ⁽¹⁾⁽⁵⁾	63/63	63/63	80/80	80/80	80/80	80/80	100/100
At Ue 690 VAC w/o pre-break auxiliary contact ⁽¹⁾⁽⁵⁾	90/90	90/90	110/110	110/110	110/110	110/110	150/150
Reactive power (kvar)							
At Ue 415 VAC ⁽⁵⁾	55	55	70	75	75	90	115
Power dissipation (W/pole)							
Power dissipation (W/pole)	19,9	20,3	21,6	21,6	23	21,6	37,4
Power dissipated by the fuse (W/pole)	11	12,5	12	12	15	12	14,3
Power dissipation by device (W/pole)	8,63	6	10,4	10,4	10,4	10,4	23,1
Connection capacity							
Minimum copper cable cross section (mm ²)	35	35	35	35	50	35	95
Maximum copper cable cross section (mm ²)	95	95	95	95	95	95	240
Maximum bar width (mm)	20	20	20	20	20	20	32
Minimum tightening torque (Nm)	9	9	9	9	9	9	20
Mechanical characteristics							
Durability (number of operating cycles)	10 000	10 000	10 000	10 000	10 000	10 000	10 000
Operating torque (Nm)	9.7	10.2	8,3	10.2	9.7	10.2	13
Weight of a non-accessorized 3-pole device (kg)	1.5	1.5	2,1	1.8	1.8	2,1	3,7
Weight of a non-accessorized 4-pole device (kg)	2	2	2,6	2.3	2.3	2,6	4,7
Weight in additional 1 P (kg)	0.5	0.5	0,65	0.5	0.5	0.6	1,2
Storage temperature (°C)	-50 ...+85						
Operating temperature (°C)	-20...+70						
Normative compliance	IEC 60947-3						
Certification	IEC, KEMA, Loyd's et CCC						
Pollution degree	3	3	3	3	3	3	3

⁽¹⁾ Catégorie avec indice A = manoeuvres fréquentes / Catégorie avec indice B = manoeuvres non fréquentes.

⁽⁵⁾ La valeur de puissance est donnée à titre indicatif, les valeurs de courant varient d'un constructeur à l'autre.

FUSERBLOC BS88

Fuse load break switches

from 25 to 1250 A

Characteristics according to IEC 60947-3

125 to 200 A

Reference	38X1 X024	3841 X031	3831 X03X	3811 X063	3811 X080	3811 X081	3811 X120
Type	Mod. 250 A	Mod. 315 A	Mod. 400 A	Mod. 630 A	Mod. 800 A	Mod. 800 A	Mod. 1250 A
Frame size	15	16	16	17	17	18	18
Power pole pitch (mm)	60	66	66	94	94	120	120
Number of pole (SWN= switched neutral, SLN=solid neutral)	2, 3, 4	2, 3, 4	2, 3, 4	2, 3, 4	2, 3, 4	2, 3, 4	2, 3, 4
Thermal current I_{th} (35°C)	250A	315A	400A	630A	800A	800A	1250A
Fuse size BS88 & NFC/DIN	B1-B2-B3/NH1	B1-B2-B3/-	B1-B2-B3-B4/ NH2	C1-C2NH3	C1-C2-C3NH3	NH4	D1/NH4
Rated operational voltage U _e (V)	690V	690V	690V	690V	690V	415V	415V
Rated insulation voltage U _i (V)	800	800	1000	1000	1000	1000	1000
Rated impulse withstand voltage U _{imp} (kV)	8	8	12	12	12	12	12

Rated conditional short-circuit current (kA) in withstand and closing with gM/gG fuse

Associated gM/gG fuse rating (A)	250	315	400	630	800	800	1250
Prospective short-circuit current at U _e 400/415 VAC (kA rms)	100	50	50	100	100	100	100
Prospective short-circuit current at U _e 660/690 VAC (kA rms)	50	50	50	100	100	-	-
Dynamic withstand in I _{sc} U _e 415 VAC (peak kA)	23,9		33,5	48	54,18	50,8	53,2
Dynamic withstand in I _{sc} U _e 690 VAC (peak kA)	29		29,9	58,7	58,7	-	-

Rated operational currents I_e (A)

Nominal voltage	Category of use	A/B ⁽¹⁾	A/B ⁽¹⁾	A/B ⁽¹⁾	A/B ⁽¹⁾	A/B ⁽¹⁾	A/B ⁽¹⁾	A/B ⁽¹⁾
415 VAC	AC 21 A / AC 21 B	250/250	315/315	400/400	-/630	-/800	-/800	-/1250
415 VAC	AC 22 A / AC 22 B	250/250	315/315	400/400	-/630	-/800	-/800	-/1250
415 VAC	AC 23 A / AC 23 B	250/250	315/315	400/400	-/630	-/800	-/800	-/1250
500 VAC	AC 21 A / AC 21 B	250/250	315/315	-/400	-/630	-/800	-/800	-/1250
500 VAC	AC 22 A / AC 22 B	250/250	315/315	-/400	-/630	-/800	-/800	-/1250
500 VAC	AC 23 A / AC 23 B	250/250	315/315	-	-	-	-	-
690 VAC ⁽¹⁾	AC 20 A / AC 20 B	250/250	315/315	400/400	630/630	800/800	800/800	1250/1250
690 VAC ⁽¹⁾	AC 21 A / AC 21 B	250/250	315/315	-/400	-/630	-/800	-/800	-/1250
690 VAC ⁽¹⁾	AC 22 A / AC 22 B	250/250	315/315	-/400	-/630	-/800 (6)	-/800	-/1250
690 VAC ⁽¹⁾	AC 23 A / AC 23 B	160/160	315/315	250/315	-	-	-	-
220 VDC	DC 21 A / DC 21 B	250/250	-	-	-	-	-	-
220 VDC	DC 22 A / DC 22 B	250/250	-	-	-	-	-	-
220 VDC	DC 23 A / DC 23 B	200/200	-	-	-	-	-	-
400 VDC	DC 21 A / DC 21 B	250 ⁽³⁾ /250 ⁽³⁾	-	-/250 ⁽¹⁾	-	-	-	-
400 VDC	DC 22 A / DC 22 B	250 ⁽³⁾ /250 ⁽³⁾	-	-/350 ⁽³⁾	-	-	-	-
400 VDC	DC 23 A / DC 23 B	200 ⁽³⁾ /200 ⁽³⁾	-	-	-	-	-	-
440 VDC	DC 21 A / DC 21 B	250 ⁽³⁾ /250 ⁽³⁾	-	-	-	-	-	-
440 VDC	DC 22 A / DC 22 B	250 ⁽³⁾ /250 ⁽³⁾	-	-	-	-	-	-
440 VDC	DC 23 A / DC 23 B	200 ⁽³⁾ /200 ⁽³⁾	-	-	-	-	-	-
500 VDC	DC 21 A / DC 21 B	250 ⁽³⁾ /250 ⁽³⁾	-	-	-	-	-	-
500 VDC	DC 22 A / DC 22 B	250 ⁽³⁾ /250 ⁽³⁾	-	-	-	-/800 ⁽⁵⁾	-	-/1250 ⁽⁵⁾
500 VDC	DC 23 A / DC 23 B	200 ⁽³⁾ /200 ⁽³⁾	-	-	-	-	-	-

⁽¹⁾ Catégorie avec indice A = manœuvres fréquentes / Catégorie avec indice B = manœuvres non fréquentes.

⁽²⁾ Appareil 3 pôles avec 2 pôles "+" en série et 1 pôle "-".

⁽³⁾ La valeur de puissance est donnée à titre indicatif, les valeurs de courant varient d'un constructeur à l'autre.

20 to 100 A

Rated operational power in AC-23 (kW)

At U _e 415 VAC w/o pre-break auxiliary contact ⁽¹⁾⁽⁵⁾	132/132	160/160	220/220	355/355	450/450	450/450	560/560
At U _e 690 VAC w/o pre-break auxiliary contact ⁽¹⁾⁽⁵⁾	220/220	220/295	220/295	295/400	400/400	400/400	400/475

Reactive power (kvar)

At U _e 415 VAC ⁽⁵⁾	115	145	185	290	365	355	460
--	-----	-----	-----	-----	-----	-----	-----

Power dissipation (W/pole)	41,1	48,9	65,6	122	134		264
Power dissipated by the fuse (W/pole)	23	19,28	33	60	65	70	110
Power dissipation by device (W/pole)	19	29,6	29,6	61	68		154

Connection capacity

Minimum copper cable cross section (mm ²)	95	1x185	1x185	2 x 150	2 x 185		
Maximum copper cable cross section (mm ²)	240	1x185	1x240	2 x 300	2 x 300	4 x 185	4 x 185
Maximum bar width (mm)	32	45	45	63	63	80	80
Minimum tightening torque (Nm)	20	20	20	40	40	40	40

Mechanical characteristics

Durability (number of operating cycles)	10 000	10 000	10 000	5 000	8 000	3 000	3 000
Operating torque (Nm)	13	17	17	56	57	62	62
Weight of a non-accessorized 3-pole device (kg)	3.2	4	4.7	16	17	25	25
Weight of a non-accessorized 4-pole device (kg)	4.5	8,2	5,9	20	21.5	30	30
Weight in additional 1 P (kg)	1.3	2	1.4	5	5,4	3	3

Storage temperature (°C)	-50 ... +85						
Operating temperature (°C)	-20 ... +70						
Normative compliance	IEC 60947-3						
Certification	IEC, KEMA, Lloyd's et CCC						
Pollution degree	3	3	3	3	3	3	3

⁽¹⁾ Catégorie avec indice A = manœuvres fréquentes / Catégorie avec indice B = manœuvres non fréquentes.

⁽⁵⁾ La valeur de puissance est donnée à titre indicatif, les valeurs de courant varient d'un constructeur à l'autre.

FUSERBLOC BS88

Fuse load break switches

from 25 to 1250 A

Characteristics according to IEC 60947-3 (continued)

250 to 1250 A

Thermal current I_{th} (40°C)	250 A	315 A	400 A	630 A	800 A	800 A	1250 A
NFC/DIN fuse size	B1-B2-B3/1	B1-B2-B3/-	B1-B2-B3-B4/2	C1-C2/3	C1-C2-C3/3	-/4	D1/4
Frame size for direct operation	5	6	6	17	17	18	18
Switch body size for front and side operation	15	16	16	17	17	18	18
Rated insulation voltage U_i (V)	800	1000(800*)	1000(800*)	1000	1000	1000	1000
Rated impulse withstand voltage U_{imp} (kV)	8	12(8*)	12(8*)	12	12	12	12

Rated operational currents I_e (A)

Rated voltage	Utilisation category	A/B ⁽¹⁾	A/B ⁽¹⁾	A/B ⁽¹⁾	A/B ⁽¹⁾	A/B ⁽¹⁾	A/B ⁽¹⁾	A/B ⁽¹⁾
400 VAC	AC-22 A / AC-22 B	250/250	315/315	400/400	630/630	800/800	800/800	1250/1250
400 VAC	AC-23 A / AC-23 B	250/250	315/315	400/400	630/630	800/800	800/800	1000/1250
690 VAC	AC-22 A / AC-22 B	250 ⁽²⁾ /250 ⁽²⁾	315 ⁽²⁾ /315 ⁽²⁾	400/400	500/630	800/800	800/800	800/1250
690 VAC	AC-23 A / AC-23 B	250 ⁽²⁾ /250 ⁽²⁾	315 ⁽²⁾ /315 ⁽²⁾	315/400	315/400	630/630	800/800	800/1250
220 VDC	DC-20 A / DC-20 B	250/250	315/315	400/400	630/630	800/800	800/800	1250/1250
220 VDC	DC-21 A / DC-21 B	200/200	315/315	315/315	630/630	800/800	800/800	1250/1250
440 VDC	DC-22 A / DC-22 B	250 ⁽³⁾ /250 ⁽³⁾	315 ⁽³⁾ /315 ⁽³⁾	315 ⁽³⁾ /315 ⁽³⁾	400 ⁽³⁾ /630 ⁽³⁾	800 ⁽³⁾ /800 ⁽³⁾	800/800	1250 ⁽³⁾ /1250 ⁽³⁾
440 VDC	DC-23 A / DC-23 B	200 ⁽³⁾ /200 ⁽³⁾	250 ⁽³⁾ /315 ⁽³⁾	250 ⁽³⁾ /315 ⁽³⁾	400 ⁽³⁾ /630 ⁽³⁾	800 ⁽³⁾ /800 ⁽³⁾	800/800 ⁽³⁾	1000 ⁽³⁾ /1000 ⁽³⁾

Operational power in AC-23 (kW)

At 400 VAC without pre-break in AC ⁽¹⁾⁽⁴⁾	132/132	160/160	220/220	355/355	450/450	450/450	560/560
At 690 VAC without pre-break in AC ⁽¹⁾⁽⁴⁾	220/220	220/295	220/295	295/400	400/400	400/400	400/475

Reactive power (kvar)

At 400 VAC ⁽⁴⁾	115	145	185	290	365	355	460
---------------------------	-----	-----	-----	-----	-----	-----	-----

Fuse protected short-circuit withstand (kA rms prospective)

Prospective short-circuit (kA rms) ⁽⁵⁾	80/100	80/-	80/50	80/100	80/100	-/100	-/100
Associated fuse rating (A) ⁽⁵⁾	250/250	315/-	400/400	630/630	800/800	-/800	-/1250

Short-circuit capacity

Rated peak withstand current (kA peak) ⁽⁵⁾	32.5	40	40	70	80	80	90
---	------	----	----	----	----	----	----

Fuse selection (maximum fuse size)**

SOCOMECS BS88	6B20 0250	6B30 0315	6B40 0400	6C20 0630	6C30 0800		
SOCOMECS BS88	6B2M 3015	6B3M 0400	6B4M 0500				
SOCOMECS DIN	6712 0250		6722 0400	6732 0400		6746 0800	6746 1200
SOCOMECS DIN	6713 0250		6723 0400	6733 0400		6747 0800	6747 1200
BUSSMANN	ED 250	ED 315	ED 400	FF 630	GF 800		
BUSSMANN	DD 200M315	ED 315M400	ED 400M500				
LAWSON	TKF 250	TKF 315	TMF 400	TTM 630	TLM 800		
LAWSON	TF 200M315	TKF 315M400	TMF 400M500				
GE	TKF 250	TKF 315	TMF 400	TTM 630	TLM 800		
GE	TF 200M315	TKF 315M355	TMF 400M450				

Connection

Minimum Cu cable cross-section (mm ²)	95	185	185	2 x 150	2 x 185		
Maximum Cu cable cross-section (mm ²)	240	240	240	2 x 300	2 x 300	4 x 185	4 x 185
Maximum busbar width (mm)	32	45	45	63	63	80	80
Tightening torque min (Nm)	20/26	20/26	20/26	40/45	40/45	40/45	40/45

Mechanical characteristics

Durability (number of operating cycles)	10 000	10 000	10 000	8 000	8 000	5 000	5 000
Weight of 3 P switch (kg)	3.2	4.8	4.8	16	17	25	25
Weight of 4 P switch (kg)	4.5	6.1	6.1	20	21.5	30	30
Weight of 1 P extra (kg)	1.3	1.3	1.3			3	3
Frame pitch (mm)	60	66	66	94	94	120	120

(1) Category with index A = frequent operation - Category with index B = infrequent operation.

(2) With terminal shrouds or terminal screen.

(3) 4-pole device with 2 pole in series by polarity.

(4) The power value is given for information only, the current values vary from one manufacturer to another.

(5) For a rated operational voltage $U_e = 400$ VAC.

* Direct operation switch.

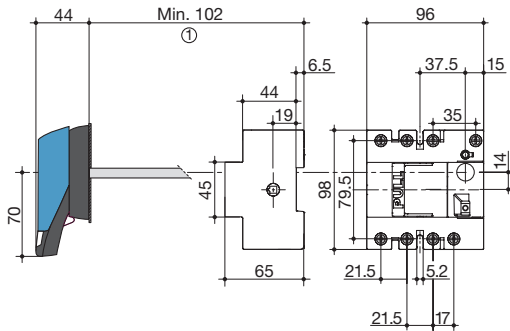
** Please ensure that fuse let through current does not exceed short-circuit capacity of the switch (kA peak).

Dimensions

External operation

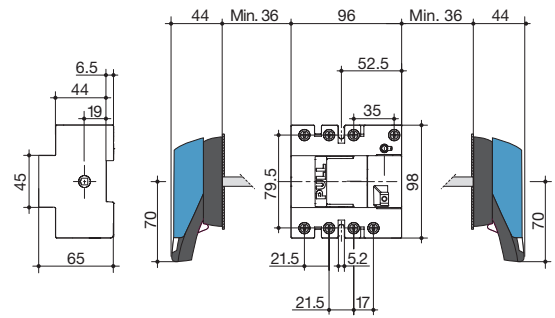
NFC and DIN CD 25 to CD 32 A in size 10 x 38

External front operation



1. With 1 U-type AC: 130 mm.
With 2 U-type AC: 155 mm.

External side operation

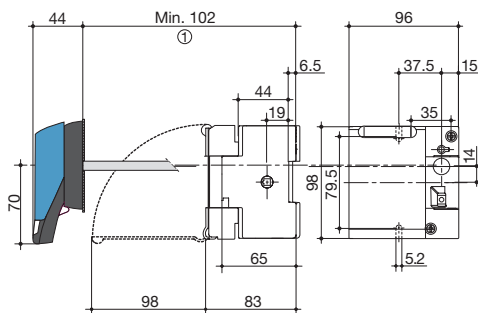


fuser_291_d_1_x_cat

fuser_294_c_1_x_cat

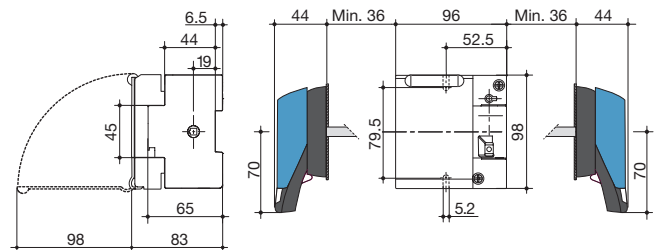
BS88 CD 20 to CD 32 A in size A1 - NFC and DIN 32 A in size 14 x 51

External front operation



1. With 1 U-type AC: 130 mm.
With 2 U-type AC: 155 mm.

External side operation



fuser_292_d_1_x_cat

fuser_295_c_1_x_cat

FUSERBLOC BS88

Fuse load break switches

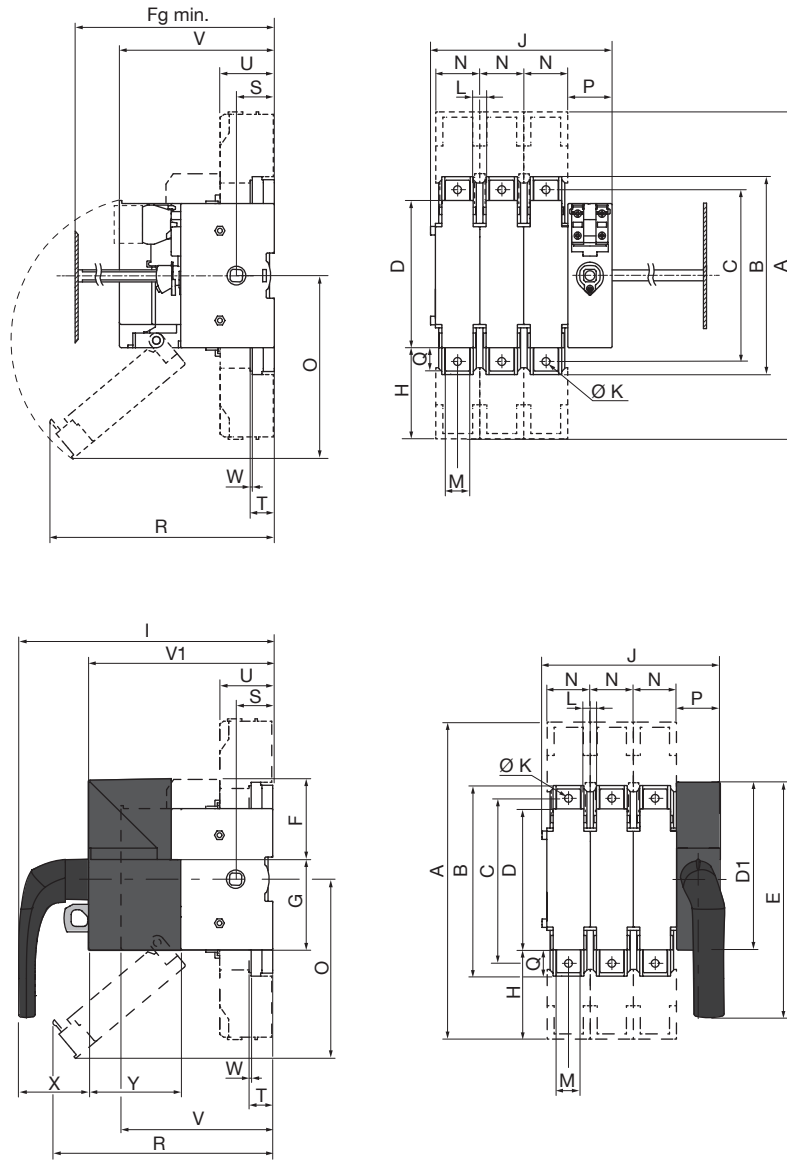
from 25 to 1250 A

Dimensions for front and right side operation

32 - 200 A

32 - 63 : cage connexion

100 - 200 : terminal connexion



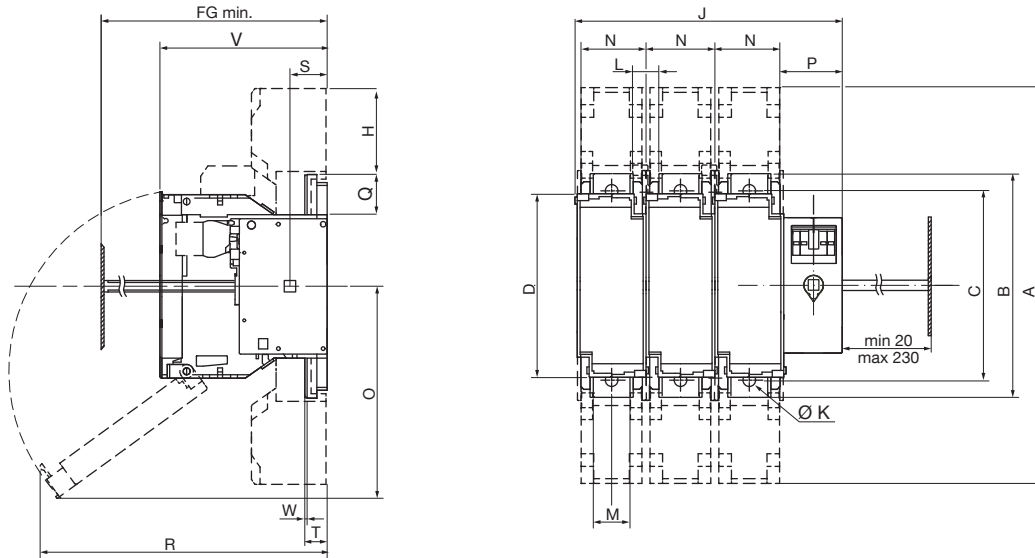
fuser_751_a_1_x_cat.ai

fuser_752_a_1_x_cat.ai

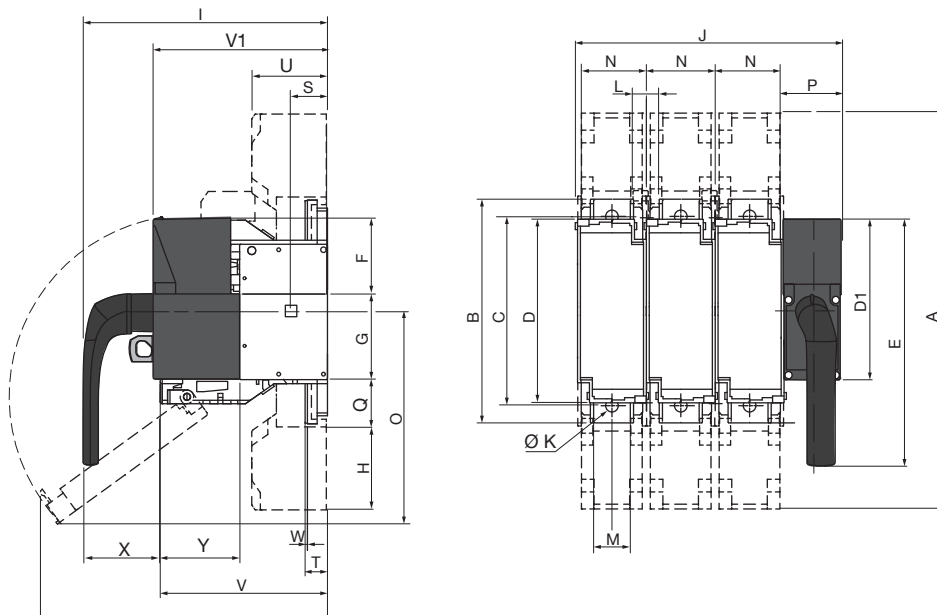
Rating (A)	NFC/ DIN fuse size	BS88 fuse size	Frame size	Fg min	A	B	C	D	D1	E	F	G	H	I	J		K	L	M	N	O	P	Q	R	S	T	U	V	V1	W	X	Y
															3P	4P																
32	-	A1	11	100	118		106	143	200	67,5	75,5			212,1	121	148	6,2	15	12	27	85	36,8	15	153	31			87	153,6	2	58,5	77
50	14 x 51	-	11	100	118		106	143	200	67,5	75,5			212,1	121	148	6,2	15	12	27	85	36,8	15	153	31			87	153,6	2	58,5	77
63	00C	A2-A3	12	125	118		106	143	200	67,5	75,5			212,1	136	168	6,2	20	12	32	159	36,8	15	145	31			116	153,6	2	58,5	77
100	22x58	A4	13	135	268	162	141	127	143	200	67,5	75,5	75	212,1	148	184	8,5	16	20	36	141	36,8	41	187	31	19,5	43,5	116	153,6	2,5	58,5	77
125	22x58	-	13	135	268	162	141	127	143	200	67,5	75,5	75	212,1	148	184	8,5	16	20	36	141	36,8	41	179	31	19,5	43,6	116	153,6	2,5	58,5	77
125	NH00	-	13	135	268	162	141	127	143	200	67,5	75,5	75	212,1	148	184	8,5	16	20	36	141	36,8	41	193	31	19,5	43,7	126	153,6	2,5	58,5	77
160	NH00	-	13	135	268	162	141	127	143	200	67,5	75,5	75	212,1	148	184	8,5	16	20	36	141	36,8	41	193	31	19,5	43,8	126	153,6	2,5	58,5	77
CD160	-	A3-A4	13A	135	268	162	141	127	143	200	67,5	75,5	75	212,1	148	184	8,5	16	20	36	141	36,8	41	193	31	19,5	43,8	126	153,6	2,5	58,5	77
CD200	-	A3-A4	13A	135	268	162	141	127	143	200	67,5	75,5	75	212,1	148	184	8,5	16	20	36	141	36,8	41	193	31	19,5	43,8	126	153,6	2,5	58,5	77
160	NH0	A4-B1-B2	14	145	268	162	141	140	143	200	67,5	75,5	75	212,1	190	240	8,5	20	20	50	174	36,8	41	229	31	19,5	43,9	136	153,6	2,5	58,5	77

Dimensions for direct front/right side operation (continued)

200 - 250 A



fuser_748_a_1_x_cat.ai



fuser_749_a_1_x_cat.ai

Rating (A)	NFC/DIN fuse size	BS88 fuse size	Frame size	Fg min.	J																											
					A	B	C	D	D1	E	F	G	H	I	4P	K	L	M	N	O	P	Q	R	S	T	U	V	V1	W	X	Y	
200			15	154	345	195	166	162	143	220	67,5	75,5	110	212,1	234	294	8,5	28	32	60	185	51,6	52	251	31	19,5	65	146	142	2,5	58,5	77
250	NH1		15	154	345	195	166	162	143	220	67,5	75,5	110	212,1	234	294	8,5	28	32	60	185	51,6	52	251	31	19,5	65	146	142	2,5	58,5	77

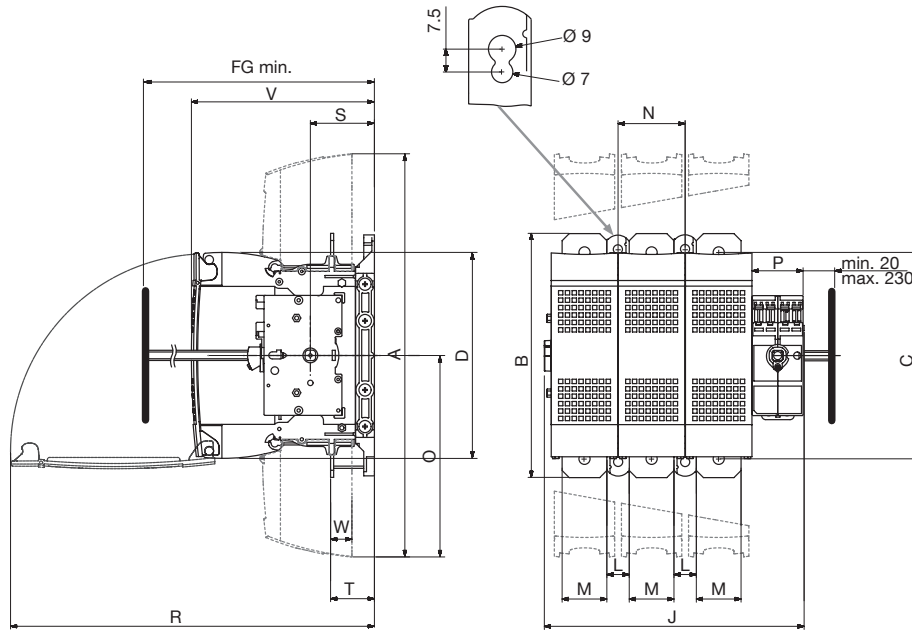
FUSERBLOC BS88

Fuse load break switches

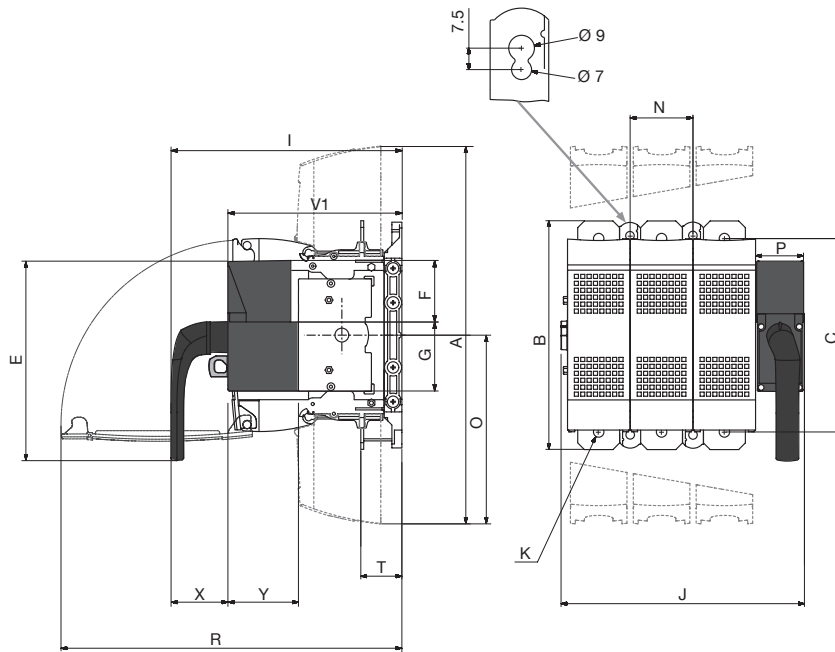
from 25 to 1250 A

Dimensions for direct front/right side operation (continued)

315 - 400 A



fuser_793_o_1_x_catt.ai

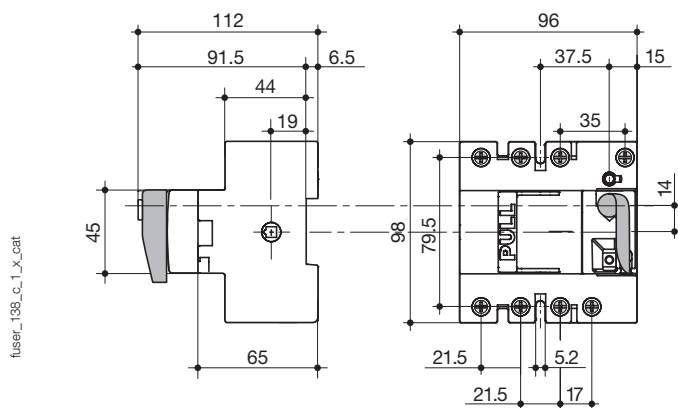


fuser_760_a_1_x_catt.ai

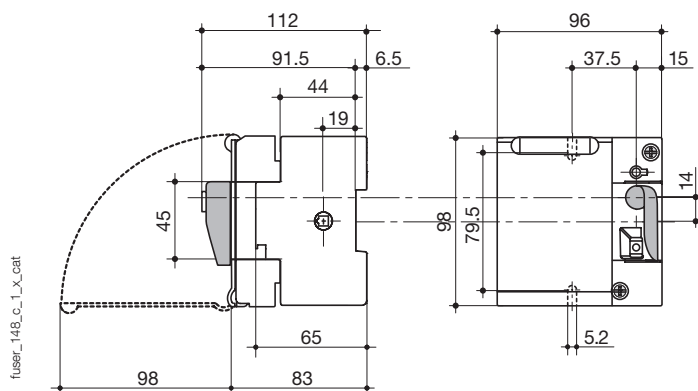
Rating (A)	NFC/DIN fuse size	BS88 fuse size	Frame size	Fg min.	A	B	C	D	D1	E	F	G	I	J		K	L	M	N	O	P	R	S	T	V	V1	W	X	Y
														3P	4P														
315	-	B1-B2-B3	16	188	397	240	203	203	143	220	67,5	75,5	239	256	321	11	34	32	66	199	50	360	63	43	180	184	3	58,5	77
400	NH2	B1-B2-B3-B4	16	188	397	240	203	203	143	220	67,5	75,5	239	256	321	11	34	32	66	199	50	360	63	43	180	184	3	58,5	77

Direct operation

NFC CD 25 to CD 32 A in frame size 0 / fuse size 10 x 38



BS88 CD 20 to CD 32 A in frame size 0 / fuse size A1 - NFC CD 32 A in frame size 0 / fuse size 14 x 51



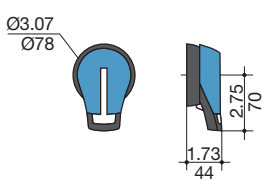
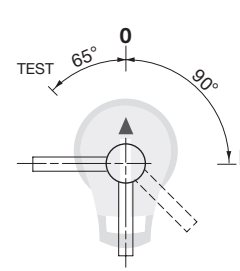
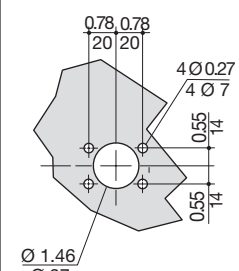
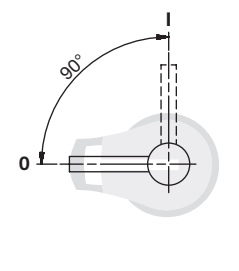
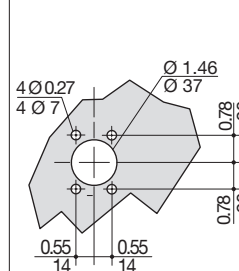
FUSERBLOC BS88

Fuse load break switches

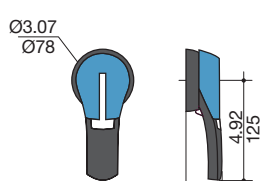
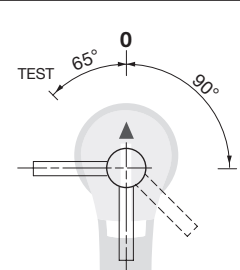
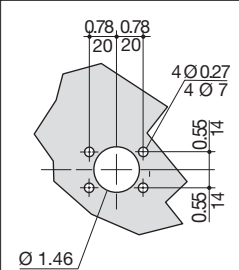
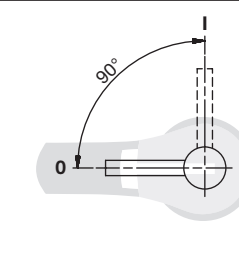
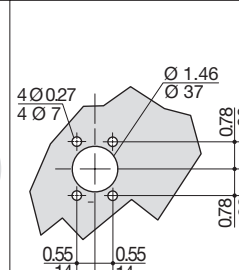
from 25 to 1250 A

Dimensions for external operation handles

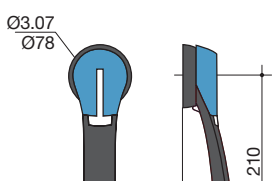
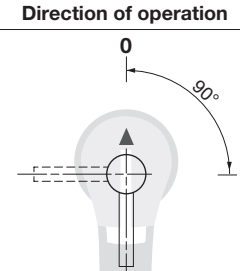
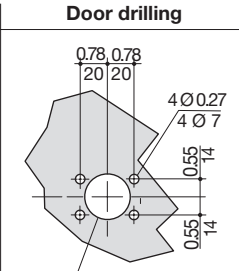
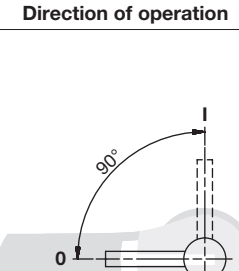
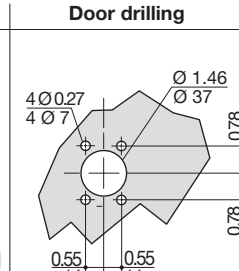
BS88 - 32 to 63 A - NFC and DIN - 25 to 63 A

Handle type	Front operation		Right and left side operation	
	Direction of operation	Door drilling	Direction of operation	Door drilling
S1 type Box size 0 				

BS88 / NFC and DIN - 100 to 400 A

Handle type	Front operation		Right and left side operation	
	Direction of operation	Door drilling	Direction of operation	Door drilling
S2 type Box size 11-16 				

BS88 / NFC and DIN - 630 to 800 A

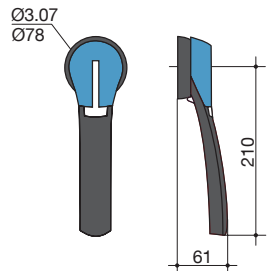

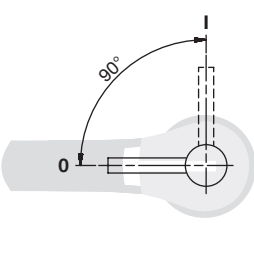
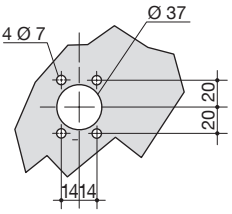
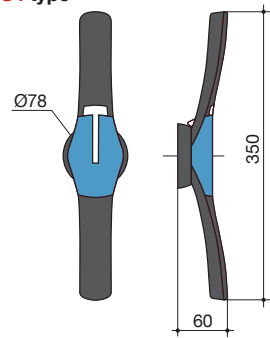
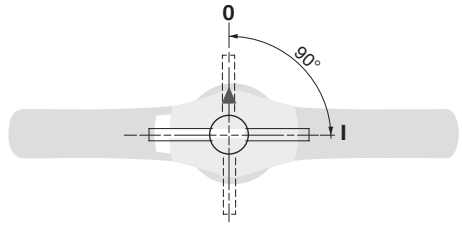
Handle type	Front operation		Right and left side operation	
	Direction of operation	Door drilling	Direction of operation	Door drilling
S3 type Box size 17 				

FUSERBLOC BS88

Fuse load break switches

from 25 to 1250 A

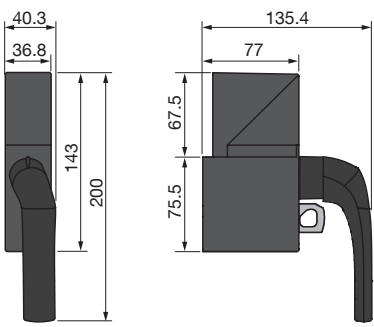
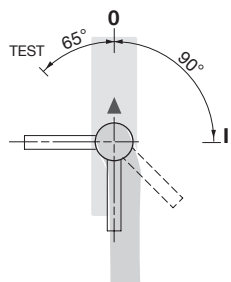
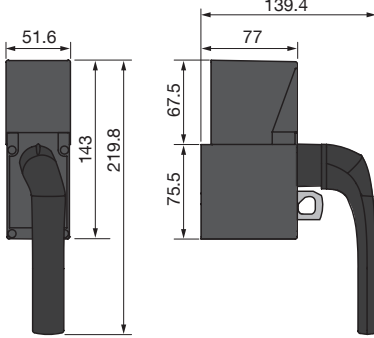
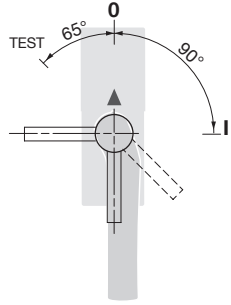
BS88 / NFC and DIN - 800 to 1250 A

Handle type	Front operation Direction of operation	Right and left side operation Direction of operation	Door drilling
S3 type Box size 18 			
S4 type 			

fuser_715_a_1_gb_cat

Dimensions for direct-control casings

32 to 400 A

Case handle type	Direct control Operating direction
50 to 160 A Case 11 to 14 	
250 to 400 A Case 15 to 16 	

<Sans lien d'intersection>