

Enclosed switch and transfer switch

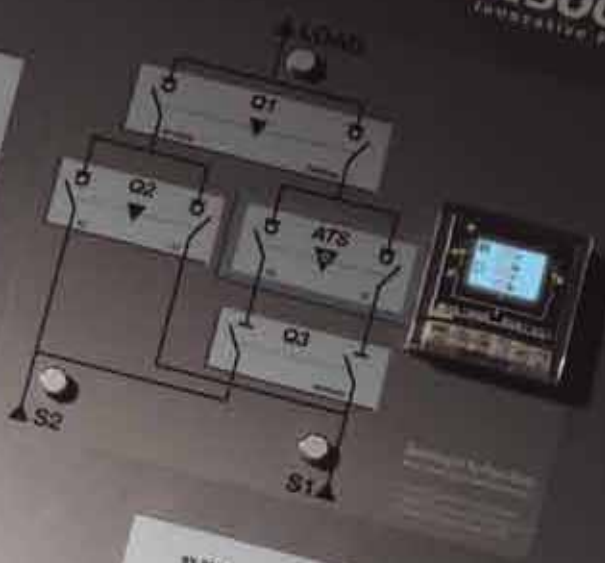
16 to 3200 A

2018
2019



By-Pass Double Line

socomec
INDUSTRIAL POWER SYSTEMS



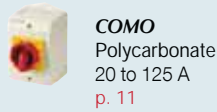
Contents

Equipped enclosures and cabinets to suit all your applications	p. 4
Selection guide for local breaking enclosures	p. 8
Selection guide for changeover enclosed switches.	p. 8

Enclosed switches

Enclosed switches p. 6

Load break switches in insulating enclosures



Load break switches in metallic enclosures



Fuse combination load break switches in insulating enclosures



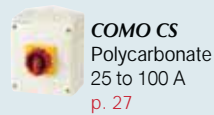
In metallic enclosures



Enclosed transfer switches

Enclosed transfer switches p. 22

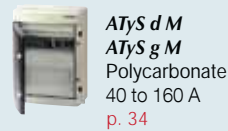
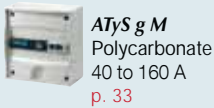
Manual changeover switching in insulating enclosures



In metallic enclosures



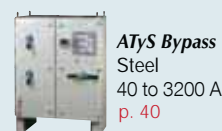
Remote controlled and automatic transfer in isolating enclosures



In metallic enclosures



For critical applications



Specific requirements

Socomec offers customisation and development of products to meet your every requirement. Contact your sales branch for more information.



Equipped enclosures and cabinets to suit all your applications

Integrated products and solutions

The **specialist** in load breaking, switching, protection, metering and measurement, SOCOMEC designs and produces **standard and tailored integrated solutions**.

With our dual expertise (in products and solutions) we can offer you the electrical equipment you need for your systems, all under a **manufacturer's guarantee**.

The **result of the long accumulation of extensive experience**, our **standard integrated solutions** bring you:

- **Fast implementation backed up** by a review of system limitations
- **Ease-of-use, without any risk of non-compliance errors**

Our solutions guarantee:

- **The safety and protection of people and goods**
- **Continuity of use**
- **Compliance with standards on products, assemblies and installations**

What you need to know!

SOCOMEK has an entire department at your service, dedicated to the design and production of specialist equipment.

This department is here to support you throughout your projects, including:

- Building specifications
- Budgets
- Planning
- Design and production
- Qualification and certification
- Support during installation and startup
- Training

Draw on our expertise and contact your local SOCOMEC branch.



PV enclosures



SITE 87 A

PV enclosures are designed to consolidate the many channels of photovoltaic modules, while protecting against overcurrents and overvoltages, to enable their connection to solar inverters. In their design (Class II), they provide a maximum level of security for users from external intervention.

With the SOCOMEC range of PV enclosures you have the solution and a manufacturer's guarantee for all your solar needs (solar fields, buildings and residential systems).

Solutions for medical premises



SITE 809 A

The availability of a reliable electrical power supply is vital to ensure continuity of care. There is no excuse today for power failures that can lead to life-or-death situations. Medical IT cabinets ensure the availability of electrical power in medical centres (in accordance with standard NFC 15-211).

The SOCOMEC medical IT cabinet range comes in three models and provides the solution for all your medical centre needs, with manufacturer's guarantee.

Equipped enclosures and cabinets to suit all your applications

Enclosed switches



Enclosed switches incorporate load-break switches with or without fuses, developed, qualified and certified for industrial electrical distribution and service sector networks.

They support the load-breaking, isolation and lockout of the mains power for all types of loads and can also be used as a general switch for equipment in various applications.

Safety enclosures



Safety enclosures are designed to be installed near a motor or a machine to **separate them from the power supply**. This includes manually operated, **padlockable load-break switches**, in the OFF position with a **visible and reliable display** of the switchgear's open position.

During preventive maintenance or inspection work, these enclosures ensure operator **safety** against **the accidental startup of electrical machines**.

For use in an explosive atmosphere (gas/dust), use our ATEX model to prevent any explosion during the unit's opening/closing phases, which generate electrical arcs.

Switching enclosures



Switching enclosures ensure the availability of electrical power in critical facilities (high-rises, public buildings, hospitals, IT or telecommunications centres, airports, industrial sites, etc.), operated manually or automatically to switch between a normal power source and a backup source (genset or auxiliary transformer) to cover in the event of failure. (Fig. 1)

For sites that require a power availability rate close to 100%, our

ATyS Bypass solution offers dual redundancy during normal operation, service and maintenance work. With its capacity to resume Normal/Bypass channels, the ATyS Bypass solution allows the continued, seamless and safe use of your systems.

In industry, our switches can provide:

- A lockout by the earthing connection (Fig. 2)
- Load redundancy (e.g. between motors) (Fig. 3)



Fig. 1

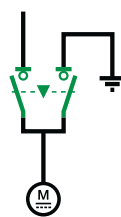


Fig. 2



Fig. 3



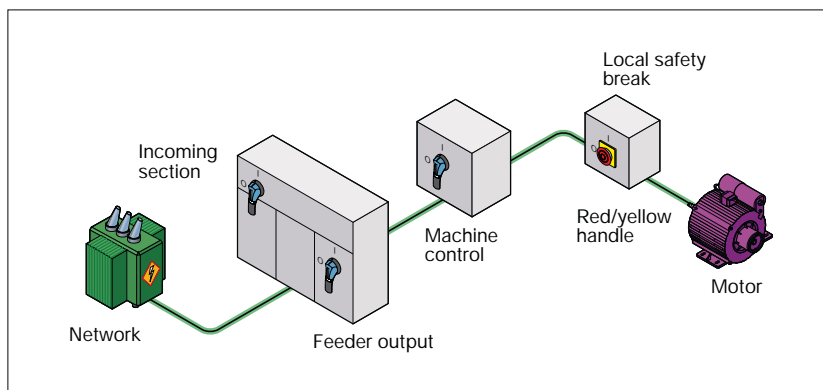
Enclosed switches

Integrated products and solutions

Enclosed load break switches and fuse combination load break switches

Switchgear systems are an essential part of your electrical system. Installed at every level of the distribution, they allow you to secure and isolate parts of the network or electrical equipment.

SOCOMEK load break switches in power distribution and machine control applications



The solution for

- > Processing industry
- > Infrastructure
- > OEM

The advantages

- > Increased flexibility
- > Maintenance safety
- > Adaptable to every environment

A manufacturer's expertise

- > Active in the electrical switchgear market since 1922, Socomec is both a global leader and an undisputed benchmark reference.
- > Our enclosed solutions, with or without fuse protection, are suitable for a wide variety of commercial and industrial power distribution operating environments and applications. From 20 to 1600 A, to IEC or UL standards, we now have one of the widest ranges on the market.

Business sectors



Processing industry

- Cement plant - Quarries
- Steel plant
- Food processing industries



OEM

- HVAC - heating, ventilation and air-conditioning
- Lifting



Infrastructure

- Airports - Tunnels - Motorways
- Water treatment

Which product for which business?

Enclosure	Isolating		Metallic	
	Polycarbonate	Polyester	Painted sheet metal	Stainless steel
Rating	20 to 125 A	160 to 630 A	20 to 1600 A	32 to 100 A
Application				
Cement plant		++	+++	
Steel plant		++	+++	
Food processing	+	++		+++
Tunnels	+	++	+++	
Water treatment	++	+++		
HVAC	+++	++		
Lifting	+	++	+++	

The benefits of our range

Enclosed switches equipped with Socomec load break switches or fuse combination load break switches provide emergency breaking, breaking for mechanical maintenance, local safety isolation and fuse protection for any low voltage circuit.



Increased flexibility for more productivity

Controlling the power as close as possible to consumers makes operation and maintenance easy, autonomous and safe. This allows you to optimise the equipment's operating times.



Maintenance safety

Breaking close to the load means the system can reliably identify which circuits need to be disconnected.

On-load breaking and isolating, as well as the clear indication of the load break switch's position and the triple lock of the control lever (in the open position) allows non-electricians to reliably and easily shutdown and isolate a supply circuit.

The locking of access (live or non current-carrying) to the enclosure's internal equipment can be managed to suit all kinds of safety procedures.



A solution to suit any environment

Available in 4 materials, the Socomec enclosed switch range can withstand most environmental constraints; protection against water and dust (IP), mechanical impact (IK) or corrosion.



Selection guide






Local breaking enclosures

Integrated products and solutions

Which application?





In which operating environment?

Electrical feature	Enclosed switch				
	Load break switches				
Enclosure	Isolating		Metallic		
					
Model	COMO 20 to 125 A p. 11	SIRCO 160 to 630 A p. 12	SIRCO M 20 to 100 A p. 12	SIRCO 160 to 1600 A p. 13	SIRCO M 32 to 100 A p. 14
Application					
Local breaking	•	•	•	•	•
Circuit protection					
Environmental risks					
Corrosion	+++	+++	+	+	+++
Chemical	++	++	+	+	+++
Mechanical impact	+	++	+++	+++	+++
Electrical characteristics					
Rated current: AC22A, 400 V	20 - 125 A	160 - 630 A	20 - 100 A	160 - 1600 A	32 - 100 A
Motor power in AC-22 at 400 VAC (kW)	7.5 - 45	80 - 280	9 - 45	80 - 710	15 - 45
Number of poles	3 / 4 / 6 / 8 P	3 / 4 P	3 / 4 P	3 / 4 P	3 / 4 P
Enclosure characteristics					
Material					
Polycarbonate	•				
Polyester		•			
Painted sheet metal			•	•	
Stainless steel					•
Protection degree	IP 65	IP 65	IP 65	IP 65	IP 65
Connection characteristics					
High-Low	•	•	•	•	
Low-Low	•	•	•	< 630 A	•
Minimum recommended connection section (mm ²)	1.5	50	1.5	50	1.5
Max. connection cross section (mm ²)	50	2 x 300	70	6 x 185	70



Which connection?

Enclosed switch	
Fuse combination load break switches	
Isolating	Metallic
	
FUSERBLOC 50 to 160 A p. 19	FUSERBLOC 32 to 800 A p. 19
•	•
•	•
+++	+
++	+
++	+++
50 - 160 A	32 - 800 A
25 - 80	15 - 450
3 / 4 P	3 / 4 P
•	•
•	•
IP 55	IP 65
•	•
•	< 630 A
6	2.5
2 x 300	4 x 185



Enclosed switches

Load break switches

20 to 1600 A

Integrated products and solutions

como-enc_005_a_front_2_cat



COMO enclosure 20 to 125 A
Polycarbonate - IP65

coff_584_a_front.eps



SIRCO enclosure 160 to 630 A
Polyester - IP65

The solution for

- > OEM
- > Industries
- > Commercial buildings
- > Electrical distribution



Strong points

- > Safe operation
- > Suitable for all kinds of environment
- > Easy setup
- > Extensive range

Compliance with standards

- > IEC 60947-3
- > IEC 60364
- > EN 60947-3
- > EN 61439
- > EN 60204-1



Other products

- > Customised solutions available on request.



SIRCO M enclosure 32 to 100 A
Stainless steel - IP65



SIRCO M enclosure 20 to 100 A
Painted steel - IP65



SIRCO enclosure 160 to 1600 A
Painted steel - IP65

Function

Enclosed load break switches ensure the on-load breaking and making of circuits and safely isolate all low-voltage electrical circuits by providing protection against contact with live parts and environmental elements, such as dust, water and other hazards.

They enable the shutdown and isolation of the power supply as close to the equipment as possible.

Advantages

Safe operation

- Secures transfer for mechanical or electrical work.
- On-load breaking.
- Ergonomic control lever, available in red/ yellow or black.
- Triple lock in OFF position.

Suitable for all kinds of environment

- Insulating enclosure for chemical and food processing applications, indoor or outdoor installation.
- Painted steel enclosure for areas at risk of mechanical impact.
- Stainless enclosure for food processing and pharmaceutical applications.

Easy setup

- Cable access top and/or bottom.
- Pre-drilled cable glands (up to 125 A).
- Removable steel cable glands, top and bottom (> 125 A), aluminium coated (> 630 A).
- Plenty of room for cabling.

Extensive range

- Standard range
- Customised on request.



Load break switch in isolating enclosure

■ **COMO** in polycarbonate enclosure



General characteristics

- From 20 to 125 A.
- 3, 4, 6, 8 poles.
- Yellow/red or grey/blue lever.
- Triple lock in OFF position.
- Polycarbonate enclosure.
- Screw-on front.
- Colour: RAL 7035.
- Degree of protection: IP65.
- Pre-drilled cable-in holes at top and bottom.

Accessories

- Unswitched neutral pole optional extra (max. 1).
- NO+NC or 2 O auxiliary contact.

References

Rating (A)	N° of poles	Grey/blue lever Part number	Red/yellow lever Part number	Extra pole ⁽¹⁾ (connected)	Auxiliary contacts ⁽¹⁾	Enclosure				
						Size	H x W x D (mm)	Cable-in top and bottom (mm)		
20	3 P	2115 3301	2115 3401	2115 5005	1 AC NO+NC 2113 4001	CPC 0	92 x 64 x 83	2 x Ø 25		
	4 P	2115 4301	2115 4401							
25	3 P	2115 3302	2115 3402							
	4 P	2115 4302	2115 4402							
32	3 P	2115 3303	2115 3403			2115 5007	1 AC 2O 2113 4002	CPC 1	163 x 100 x 115	2 x Ø 25
	4 P	2115 4303	2115 4403							
	6 P	2115 6303	2115 6403							
	8 P	2115 8303	2115 8403							
40	3 P	2115 3304	2115 3404							
	4 P	2115 4304	2115 4404							
63	3 P	2115 3306	2115 3406							
	4 P	2115 4306	2115 4406							
	6 P	2115 6306	2115 6406							
80	3 P	2115 3308	2115 3408	2115 5009	2115 5011			CPC 2	200 x 146 x 150	2 x Ø 32 + 2 x Ø 40
	4 P	2115 4308	2115 4408							
100	3 P	2115 3309	2115 3409							
	4 P	2115 4309	2115 4409							
125	3 P	2115 3312	2115 3412							
	4 P	2115 4312	2115 4412							
CPC 3	304 x 214 x 182	2 x Ø 50 + 2 x Ø 63	200 x 146 x 150	2 x Ø 32 + 2 x Ø 40		CPC 3	304 x 214 x 182	2 x Ø 50 + 2 x Ø 63		

(1) Max. setup: 1 extra pole + 1 aux contact, or 2 aux contacts

Enclosed switches

Load break switches

20 to 1600 A

Load break switch in isolating enclosure

■ **SIRCO** in polyester enclosure



General characteristics

- From 160 to 630 A.
- 3 poles + unswitched neutral, 4 poles.
- Black lever (yellow/red on request).
- Triple lock in OFF position.
- Polyester enclosure.
- Screw-on front.
- Colour: RAL 7035.
- Degree of protection: IP65.
- Wall-mounted, 4 brackets included.

Accessories

- NO/NC auxiliary contact.
- Terminal screen.

References

Rating (A)	N° of poles	Handle Black Part number	Auxiliary contacts	Protective screen.	Enclosure	
					Size	H x W x D (mm)
160	3 P + N	3116 5016		2698 3012	CP 32	360 x 270 x 171
	4 P	3116 4016		2698 4012		
250	3 P + N	3116 5025	1 st AC NO/NC 2699 0031	2698 3020	CP 53	540 x 360 x 171
	4 P	3116 4025		2698 4020		
400	3 P + N	3116 5040	2 nd AC 2 NO/NC 2699 0032	2698 3050	CP 75	720 x 540 x 201
	4 P	3116 4040		2698 4050		
630	3 P + N	3116 5063		2698 3050		
	4 P	3116 4063		2698 4050		

Load break switch in metallic enclosure

■ **SIRCO M** in painted steel enclosure



General characteristics

- From 20 to 100 A.
- 3 poles + solid neutral, unswitched 4th pole optional extra (max. 1).
- Yellow/red or black lever.
- Triple lock in OFF position.
- Painted steel enclosure.
- Door latch system or screw-on.
- Colour: RAL 7035.

- Pre-drilled cable-in holes at top and bottom.
- Degree of protection: IP65.

Accessories

- 4th pole switched (max. 1), unswitched (max. 1).
- NO+NC or 2 NC auxiliary contact (max. 2).
- Terminal shroud.
- Wall brackets

References

Rating (A)	N° of poles	Handle Black Part number	Handle Red/Yellow Part number	Extra pole (unswitched pole)	Auxiliary contacts	Terminal shroud	Bracket kit	Enclosure		
								Size	H x W x D (mm)	Cable-in top and bottom (mm)
20	3 P + N	3032 5002	3032 5102	2200 1001		2294 3005 (3 P) 2294 1005 (1 P)	3031 0011	CT 21	200 x 150 x 120	2 x Ø 25 + 2 x Ø 32 + Ø 16
	3 P + N	3032 5202 (1)	3032 5302 (1)					CT 21a		
32	3 P + N	3032 5003	3032 5103	2200 1003	1 AC NO + NC 2299 0001			CT 21		
	3 P + N	3032 5203 (1)	3032 5303 (1)					CT 21a		
63	3 P + N	3032 5006	3032 5106	2200 1006	1 AC 2F 2299 0011	2294 3009 (3 P) 2294 1009 (1 P)		CT 21		
	3 P + N	3032 5206 (1)	3032 5306 (1)					CT 21a		
100	3 P + N	3032 5010	3032 5110	2200 1010		2294 3016 (3 P) 2294 1011 (1 P)		CT 32	300 x 200 x 120	Ø 32 + 2 x Ø 50 + Ø 16
	3 P + N	3032 5210 (1)	3032 5310 (1)					CT 32a		

(1) Front panel: screw-on

Load break switch in metallic enclosure (cont.)

■ **SIRCO** in painted steel enclosure



General characteristics

- From 160 to 1600 A.
- 3 poles + solid neutral , 4 poles.
- Black lever (yellow/red on request).
- Triple lock in OFF position.
- Painted steel enclosure.
- Door latch system.
- Colour: RAL 7035.
- Cable gland plates: top and bottom.
- Degree of protection: IP65.
- Wall-mounted, 4 brackets included.

Accessories

- NO/NC auxiliary contact.
- Terminal screen.

References

Rating (A)	N° of poles	Handle Black Part number	Auxiliary contacts	Protective screen (top or bottom)	Enclosure		
					Size	H x W x D (mm)	Cable-in top and bottom (mm)
160	3 P + N	3032 5016	1 st NO/NC AC 2699 0031 2 nd 2NO/NC AC 2699 0032	2698 3012	CT 43	400 x 300 x 210	180 x 100
	4 P	3032 4016		2698 4012			
250	3 P + N	3032 5025		2698 3020	CT 66	600 x 600 x 300	380 x 100
	4 P	3032 4025		2698 4020			
400	3 P + N	3032 5040		2698 3050	CT 86	800 x 600 x 350	560 x 100
	4 P	3032 4040		2698 4050			
630	3 P + N	3032 5063		2698 3050	CT 128	1200 x 800 x 300	660 x 100
	4 P	3032 4063		2698 4050			
800	3 P + N	3032 5080		2698 3080			
	4 P	3032 4080		2698 4080			
1250	3 P + N	3032 5084		2698 3120			
	4 P	3032 4084		2698 4120			
1600	3 P + N	3032 5088	2698 3120				
	4 P	3032 4088	2698 4120				

Enclosed switches

Load break switches

20 to 1600 A

Load break switch in metallic enclosure (cont.)

■ **SIRCO M** in stainless steel enclosure



General characteristics

- 32 to 100A.
- 3 poles + solid neutral, 4th switched pole optional extra (max. 1).
- Yellow/red or black lever.
- Triple lock in OFF position.
- Brushed stainless steel enclosure 304 (please ask for other options).
- Degree of protection: IP65.
- Pre-drilled cable-in holes at bottom.
- Door latch system.

Accessories

- 4th switched pole (max. 1), connected (max. 1).
- NO+NC or 2 NC auxiliary contact (max. 2).
- Wall brackets.

References

Rating (A)	N° of poles	Handle Black Part number	Handle Red/Yellow Part number	Extra pole (switched pole)	Auxiliary contacts	Terminal shroud	Set of stainless steel brackets	Enclosure		
								Size	H x W x D (mm)	Cable-in bottom (mm)
32	3 P + N	3032 8003	3032 8103	2200 1003		2294 3005 (3 P) 2294 1005 (1 P)	3031 0012	Cl 21	200 x 150 x 120	2 x Ø 25 + 2x Ø 32 + Ø 16
63	3 P + N	3032 8006	3032 8106	2200 1006	1 AC NO + NC 2299 0001 1 AC 2F 2299 0011	2294 3009 (3 P) 2294 1009 (1 P)				
100	3 P + N	3032 8010	3032 8110	2200 1010		2294 3016 (3 P) 2294 1011 (1 P)				

Characteristics

Electrical features according to IEC 60947-3

		COMO CS							
Thermal current I_{th} (40°C)		20 A	25 A	32 A	40 A	63 A	80 A	100 A	125 A
Frame size									
Enclosed thermal current I_{th} (35°C) (A)		20	25	32	40	63	80	100	125
Enclosed thermal current I_{th} (50°C) (A)		17	22	28	35	54	69	86	108
Rated insulation voltage U_i (V)		690	690	690	690	690	690	690	690
Rated impulse withstand voltage U_{imp} (kV)		4	6	6	6	6	6	6	6
Rated operational currents I_e (A)									
Rated voltage	Utilisation category								
400 VAC	AC-22 A / AC-22 B	20	25	32	40	63	80	100	125
400 VAC	AC-23 A / AC-23 B	15	20	22	40	44	53	70	84
690 VAC	AC-22 A / AC-22 B		12	13	18	22	23.5	34	41
690 VAC	AC-23 A / AC-23 B		9.5	11.5	13	17.5	22	25.5	35
Operational power in AC-23 (kW)									
400 VAC without pre-break AC (kW)(5)		7.5	9.5	11.5	20	22	30	37	45
690 VAC without pre-break AC (kW)(5)			12	13	18	22	25.5	34	41
gG DIN(6) fuse protected short-circuit withstand									
Prospective short-circuit current (kA rms)		1	8	8	8	8	10	20	20
Associated fuse rating (A)		20	25	32	40	63	80	100	125
Circuit breaker protected short-circuit withstand with any circuit breaker that ensures tripping in less than 0.3s									
Current rated as short-time withstand I_{cw} 0.3s (kA rms)		0.68	0.68	1.28	1.28	2.52	2.52	4	4
Short-circuit operation (switch only)									
Current rated as short-time withstand I_{cw} 1s (kA rms)		0.34	0.34	0.64	0.64	1.26	1.26	2	2
Connection									
Minimum Cu cable cross-section (mm ²)		1.5	2.5	2.5	2.5	2.5	2.5	4	4
Maximum Cu cable cross-section (mm ²)		4	10	10	10	16	25	35	50

		SIRCO M / SIRCO										
Thermal current I_{th} (40°C)		20 A	32 A	63 A	100 A	160 A	250 A	400 A	630 A	800 A	1250 A	1600 A
Frame size												
		M1	M1	M2	M3	B3	B4	B5	B5	B6	B7	B7
Enclosed thermal current I_{th} (35°C) (A)		20	32	63	100	160	250	400	630	770	1000	1450
Enclosed thermal current I_{th} (50°C) (A)		17	28	54	86	138	216	345	544	665	863	1252
Rated insulation voltage U_i (V)		800	800	800	800	800	800	1000	1000	1000	1000	1000
Rated impulse withstand voltage U_{imp} (kV)		8	8	8	8	8	8	12	12	12	12	12
Rated operational currents I_e (A)												
Rated voltage	Utilisation category											
415 VAC	AC-22 A / AC-22 B	20	32	63	100	160	250	400	630	800	1250	1600
415 VAC	AC-23 A / AC-23 B	20	32	63	100	160	250	400	500	800	1250	1250
500 VAC	AC-22 A / AC-22 B	20	32	63	100							
500 VAC	AC-23 A / AC-23 B	20	25	63	80							
690 VAC	AC-22 A / AC-22 B	20	32	40/63	80/100							
690 VAC	AC-23 A / AC-23 B	20	25	40	63							
Operational power in AC-23 (kW)												
400 VAC without pre-break AC (kW)(5)		9	15	30	45	80	132	220	280	450	710	710
500 VAC without pre-break AC (kW)(5)		9	15	30	45							
690 VAC without pre-break AC (kW)(5)		11	15	30	45							
gG DIN(6) fuse protected short-circuit withstand												
Prospective short-circuit current (kA rms)		50	50	50	25	100	50	100	70	50	100	100
Associated fuse rating (A)		20	32	63	100	160	250	400	630	800	1250	2x800
Circuit breaker protected short-circuit withstand with any circuit breaker that ensures tripping in less than 0.3s												
Current rated as short-time withstand I_{cw} 0.3s (kA rms)		2.5	2.5	3	5	15	17	25	25	50	100	100
Short-circuit operation (switch only)												
Current rated as short-time withstand I_{cw} 1s (kA rms)		1.26	1.26	1.5	2.75	7	9	13	13	35	50	50
Dynamic withstand current in I_{cc} (kA peak) (6)		6	6	9	12	20	30	45	45	55	110	110
Connection												
Minimum Cu cable cross-section (mm ²)		1.5	1.5	2.5	10	50	95	185	2x150	2x185		
Maximum Cu cable cross-section (mm ²)		16	16	35	70	95	150	240	2x300	2x300	4x185	6x185

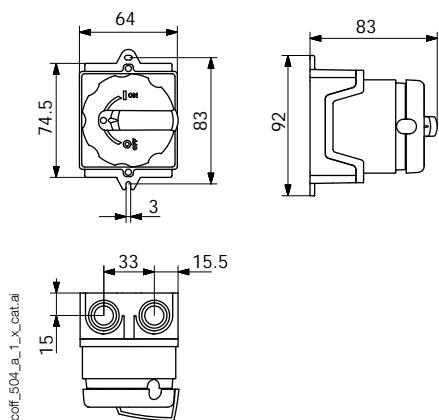
Enclosed switches

Load break switches

20 to 1600 A

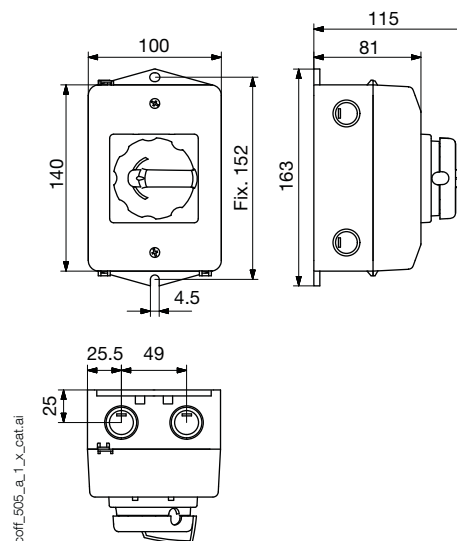
Dimensions

Size CPC 0



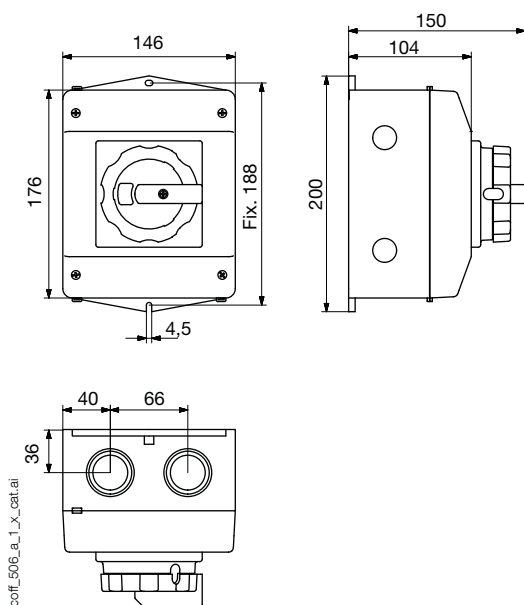
- 4x M25 pre-drilled holes (top and bottom)

Size CPC 1



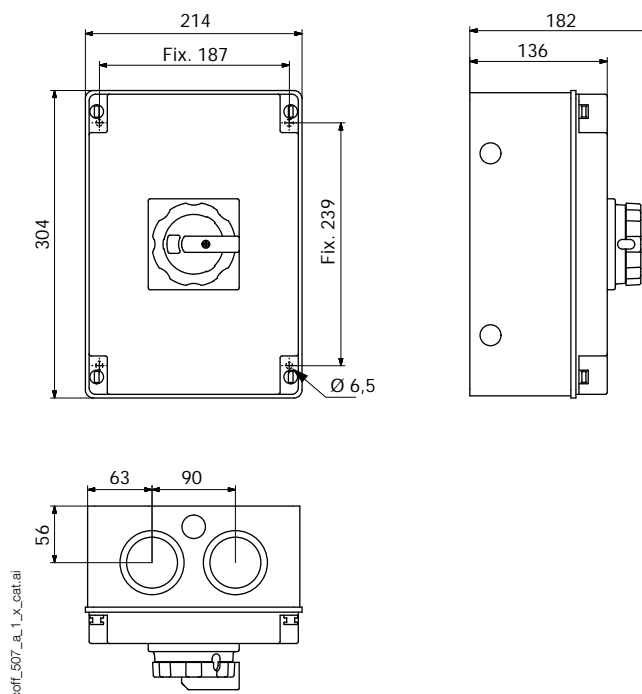
- 4x M20 pre-drilled holes (on the side)
- 4x M25 pre-drilled holes (top and bottom)
- 4 pre-drilled holes to expel water

Size CPC 2



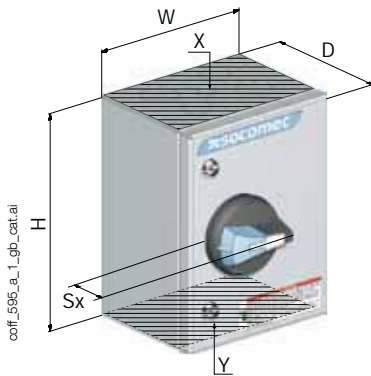
- 4x M20 pre-drilled holes (on the side)
- 4 M32/M40 pre-drilled holes (top and bottom)
- 2 pre-drilled holes to expel water

Size CPC 3



- 4x M20 pre-drilled holes (on the side)
- 4x M50/M63 pre-drilled holes and 2x M20 pre-drilled holes (on the side)
- 2 pre-drilled holes to expel water

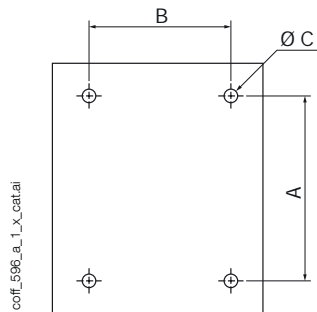
Enclosures



coff_595_a_1_gb_cat.ai

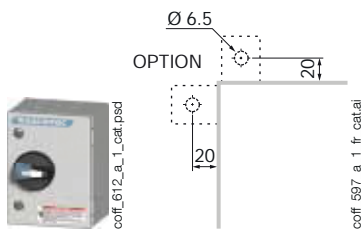
Size	Type	H x W x D (mm)	Sx (mm)	A (mm)	B (mm)	Diameter C (mm)	X - Y Cable-in top and bottom ⁽¹⁾
CT 21, CI21, CT 21a	1	200 x 150 x 120	36	135	85	6.5	2 x Ø 25 + 2 x Ø 32 + Ø 16
CT 32, CI32, CT 32a		300 x 200 x 120		235	135		1 x Ø 32 + 2 x Ø 50 + Ø 16
CP 32	3	360 x 270 x 171	45	337	247		-
CP 53		540 x 360 x 171		516	337		
CP 75		720 x 540 x 201		696	516		
CT 43	2	400 x 300 x 210	60	362	262	12.5	
CT 66		600 x 600 x 300		562	562		380 x 100
CT 86		800 x 600 x 350		762	562		660 x 100
CT 128		1200 x 800 x 300		1162	762		

(1) For stainless steel enclosure, cable-in at bottom only



coff_596_a_1_x_cat.ai

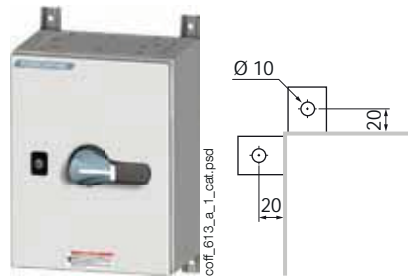
Type 1



coff_612_a_1_cat.psd

coff_597_a_1_fr_cat.ai

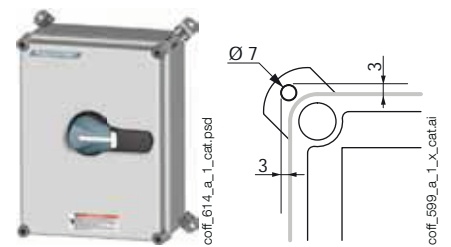
Type 2



coff_613_a_1_cat.psd

coff_598_a_1_x_cat.ai

Type 3



coff_614_a_1_cat.psd

coff_599_a_1_x_cat.ai



Enclosed switches

Fuse combination switches

32 to 800 A

Integrated products and solutions



FUSERBLOC enclosure 32 to 63A
Painted steel - IP65



FUSERBLOC enclosure 50 to 160A
Polyester - IP55



FUSERBLOC enclosure 100 to 800A
Painted steel - IP65

coeff_606_a_fronteps

The solution for

- > OEM
- > Industries
- > Commercial buildings
- > Electrical distribution



Strong points

- > Safe operation
- > Suitable for all kinds of environment
- > Easy setup
- > Extensive range

Compliance with standards

- > IEC 60947-3
- > IEC 60364
- > EN 60947-3
- > EN 61439
- > EN 60204-1



Other products

- > Customised solutions available on request.

Function

Enclosed fuse combination load break switches ensure on-load breaking and making of circuits, protect against overcurrents, and safely isolate all low-voltage electrical circuits by providing protection against contact with live parts and environmental elements, such as dust, water and other hazards.

They enable the shutdown and isolation of the power supply as close to the equipment as possible.

Advantages

Safe operation

- Secures transfer for mechanical or electrical work.
- On-load breaking.
- Ergonomic control lever, available in red/yellow or black.
- Triple lock in OFF position.

Suitable for all kinds of environment

- Insulating enclosure for chemical and food processing applications, indoor or outdoor installation.
- Painted steel for areas at risk of impact.

Easy setup

- Cable access top and/or bottom.
- Pre-drilled cable glands (up to 100 A).
- Removable steel cable glands, top and bottom (> 100 A), aluminium coated (> 630 A).
- Plenty of room for cabling.

Extensive range

- Standard range.
- Customised products on request.

Fuse combination load break switch in isolating enclosure

FUSERBLOC in polyester enclosure



coll_084_a_front.eps

General characteristics

- From 50 to 160 A.
- 3 poles, 4 poles.
- DIN fuse protection (For BS, please contact us).
- Black lever (yellow/red on request).
- Triple lock in OFF position.
- Polyester enclosure.
- Screw-on front.
- Colour: RAL 7035.
- Degree of protection: IP55.
- Wall-mounted, 4 brackets included.

Accessories

- Aux contact NO and NC.
- Blown fuse NO/NC auxiliary contact.
- Terminal shroud.

References

Rating (A)	Case	No. of poles	Black lever Part number	Fuse size (NF, NH)	Auxiliary contacts	Terminal shroud	Blown fuse NO/NC auxiliary contact	Size	Enclosure
									H x W x D (mm)
50	11	3 P	3117 3005	14 x 51	1 NC AC 3999 0701	-	3994 0405	CP 22	270 X 270 X 171
		4 P	3117 4005						
100	13	3 P	3117 3010	22 x 58	1 NO AC 3999 0702	3998 3016	3994 0310	CP 32	360 X 270 X 171
		4 P	3117 4010			3998 4016	3994 0410		
160	14	3 P	3117 3016	0		3998 3016	3994 0316	CP 52	540 X 270 X 171
		4 P	3117 4016			3998 4016	3994 0416	CP 53	540 X 360 X 171

FUSERBLOC in metallic enclosure



coll_080_a_luorelta

General characteristics

- From 32 to 800 A.
- 3 poles + solid neutral, 4 poles.
- DIN fuse protection (For BS, please contact us).
- Black lever (yellow/red on request)
- Triple lock in OFF position.
- Painted steel enclosure.
- Door latch system.
- Colour: RAL 7035.
- Pre-drilled cable-in holes at top and bottom.

- Degree of protection: IP65.
- Wall-mounted, 4 brackets included (not available for 32 and 63 A.)

Accessories

- Aux contact NO and NC.
- Blown fuse NO/NC auxiliary contact.
- Terminal shroud.

References

Rating (A)	Case	No. of poles	Handle Black Part number	Fuse size (NF, NH)	Auxiliary contacts	Terminal shroud	Blown fuse NO/NC auxiliary contact	Bracket kit	Enclosure		
									Size	H x W x D (mm)	Cable-in top and bottom (mm)
32	0	3 P + N	3035 5003	14 x 51		-	3994 0303	3031 0011	CT 32a	300 x 250 x 150	Ø 32 + 2 x Ø 50 + Ø 16
		4 P	3035 4003								
63	12	3 P + N	3035 5006	00C			3899 3380		CT 33	300 x 300 x 150	4 x Ø 32 + Ø 16
		4 P	3035 4006								
100	13	3 P + N	3035 5010	22 x 58			3998 3016	3994 0310	CT 43	400 x 300 x 210	180 x 100
		4 P	3035 4010								
160	13	3 P + N	3035 5016	00	1 NC AC 3999 0701		3998 3016	3899 3380	CT 44	400 x 400 x 210	280 x 100
		4 P	3035 4016								
250	15	3 P + N	3035 5025	1	1 NO AC 3999 0702		3998 3025	3994 0325	CT 64	600 x 400 x 250	280 x 100
		4 P	3035 4025								
400	16	3 P + N	3035 5040	2			3998 3040	3994 0440	CT 66	600 x 600 x 300	380 x 100
		4 P	3035 4040								
630	17	3 P + N	3035 5063	3			3998 3080	3994 1306	CT 108	1000 x 800 x 400	660 x 100
		4 P	3035 4063								
800	18	3 P + N	3035 5080	4			3998 3080	3994 1312			
		4 P	3035 4080								

Enclosed switches

Fuse combination switches

32 to 800 A

Characteristics

Electrical features according to IEC 60947-3

FUSERBLOC										
Thermal current I_{th} (40 °C)	CD 32 A	50 A	63 A	100 A	160 A	160 A	250 A	400 A	630 A	800 A
NFC/DIN fuse size	14 x 51	14 x 51	00C	22 x 58	00	0	1	2	3	4
Switch body size for front and side operation	0	11	12	13	13	14	15	16	17	18
Enclosed thermal current I_{th} (35°C) (A)	32	50	57	100	160	160	240	400	630	800
Enclosed thermal current I_{th} (50°C) (A)	29	48	52	86	138	138	207	345	544	691
Rated insulation voltage U_i (V)	800	800	800	800	800	800	800	1000	1000	1000
Rated impulse withstand voltage U_{imp} (kV)	8	8	8	8	8	8	8	12	12	12
Rated operational currents I_e (A)										
Rated voltage	Utilisation category	A/B ⁽¹⁾	A/B ⁽¹⁾	A/B ⁽¹⁾	A/B ⁽¹⁾	A/B ⁽¹⁾	A/B ⁽¹⁾	A/B ⁽¹⁾	A/B ⁽¹⁾	A/B ⁽¹⁾
400 VAC	AC-22 A / AC-22 B	32/32	50/50	63/63	100/100	160/160	160/160	250/250	400/400	630/630
400 VAC	AC-23 A / AC-23 B	32/32	50/50	63/63	100/100	160/160	160/160	250/250	400/400	630/630
690 VAC	AC-22 A / AC-22 B	32/32	50/50	63/63	100 ⁽²⁾ /100 ⁽²⁾	160 ⁽²⁾ /160 ⁽²⁾	160 ⁽²⁾ /160 ⁽²⁾	250 ⁽²⁾ /250 ⁽²⁾	400/400	500/630
690 VAC	AC-23 A / AC-23 B	32/32	50/50	63/63	100 ⁽²⁾ /100 ⁽²⁾	125 ⁽²⁾ /125 ⁽²⁾	125 ⁽²⁾ /125 ⁽²⁾	250 ⁽²⁾ /250 ⁽²⁾	315/400	315/400
Operational power in AC-23 (kW)										
At 400 VAC without pre-break in AC ⁽¹⁾⁽⁵⁾		15/15	25/25	30/30	51/51	80/80	80/80	132/132	220/220	355/355
At 690 VAC without pre-break in AC ⁽¹⁾⁽⁵⁾		25/25	45/45	55/55	90/90	110/110	110/110	220/220	220/295	295/400
Reactive power (kvar)										
At 400 VAC ⁽⁵⁾		15	23	28	45	75	75	115	185	290
gG DIN fuse protected short-circuit withstand current										
Prospective short-circuit current (kA rms) ⁽⁶⁾		100	100	100	100	50	100	100	100	100
Associated fuse rating (A) ⁽⁶⁾		32	50	63	100	160	160	250	400	630
Short-circuit operation (switch only)										
Rated peak withstand current (kA peak) ⁽⁶⁾		5.5	7.6	10.6	20	20	22.7	32.5	40	70
Connection										
Minimum Cu cable cross-section (mm ²)		2.5	6	10	25	35	50	95	185	2 x 150
Minimum Cu cable cross-section (mm ²)		16	25	25	95	95	95	240	240	2 x 300

(1) Category with index A = frequent operation / Category with index B = infrequent operation.

(2) With terminal shrouds or phase barrier.

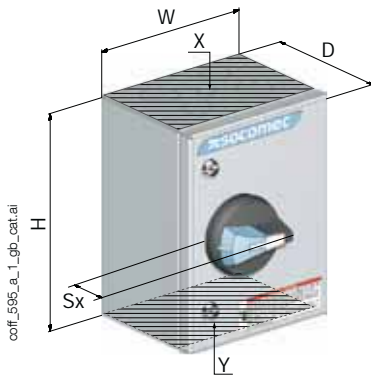
(3) 4-pole device with 2 poles in series per polarity.

(4) The power value is given for information only; the current values vary from one manufacturer to another.

(5) For a rated operational voltage $U_e = 400$ VAC

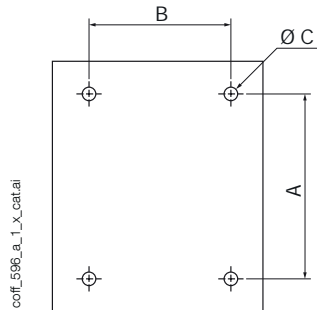
Dimensions

Enclosures



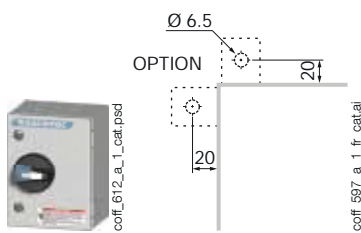
conf_595_a_1_gb_catal

Size	Type	H x W x D (mm)	Sx (mm)	A (mm)	B (mm)	Diameter C (mm)	X - Y Cable-in top and bottom ⁽¹⁾
CP 22	3	270 x 270 x 171	45	247	247	6.5	-
CP 32		360 x 270 x 171		337	247		
CP 52		540 x 270 x 171		516	247		
CP 53		540 x 360 x 171		516	337		
CT 32a	1	300 x 250 x 150		262	212	12.5	Ø 32 + 2 x Ø 50 + Ø 16
CT 33		300 x 300 x 150		262	262		4 x Ø 32 + Ø 16
CT 43		400 x 300 x 210		362	262		180 x 100
CT 44	2	400 x 400 x 210		362	362	12.5	280 x 100
CT 64		600 x 400 x 250		562	362		
CT 66		600 x 600 x 300		562	562		380 x 100
CT 108		1000 x 800 x 400		962	762		660 x 100



conf_596_a_1_x_catal

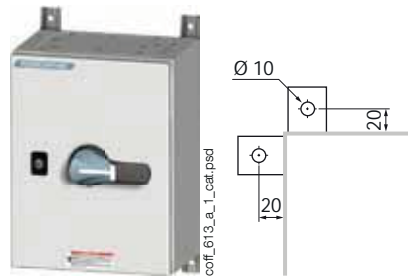
Type 1



conf_612_a_1_cat.psd

conf_597_a_1_fr_catal

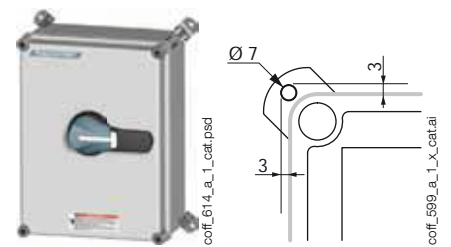
Type 2



conf_613_a_1_cat.psd

conf_598_a_1_x_catal

Type 3



conf_614_a_1_cat.psd

conf_599_a_1_x_catal



Enclosed transfer switches

Integrated products and solutions

The changeover switch market **sets high standards in terms of security and quality.**

Changeover switches are essential safety devices to ensure the continuity of the power supply in critical installations (high-rise buildings, healthcare buildings, data centres, banks, etc.).

With its expertise in switching technology, SOCOMEC can optimise your electrical systems and **ensure the continuity of your power supply.**

To ensure maximum operational safety, all of SOCOMEC's enclosed changeover

enclosures conform to standards **IEC 60947-3/IEC 60947-6-1** and **IEC 61439** switchboard standards.

From the small 25 A manual changeover switch enclosure to the 3200 A ATyS bypass cabinet, SOCOMEC offers a complete range to suit your every need.

Glossary according to IEC 60947-6-1

Definitions:

- **MTSE** (Manual Transfer Switch Equipment) is manually operated mains changeover equipment.
- **RTSE** (Remote Transfer Switch Equipment) is remotely operated mains changeover equipment.
- **ATSE** (Automatic Transfer Switch Equipment) is automatically operated mains changeover equipment.

The entire range of SOCOMEC changeover switches is rated PC-class.

A few types of application



SITE 493 A



SITE 493 A



SITE 493 A

Changeover switching

A manual or automated switching solution between two transformer or genset sources (Fig. 1).

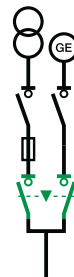


Fig. 1

Earth connection

Earthing of equipment such as motors and electrical lines while securely isolating at their point of supply (Fig. 2).

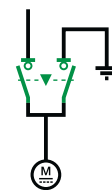


Fig. 2

Load changeover

Switching the power supply from one load to another to ensure redundancy and balancing out the operating time of the two loads (Fig. 3).



Fig. 3

Phase reversal on motors

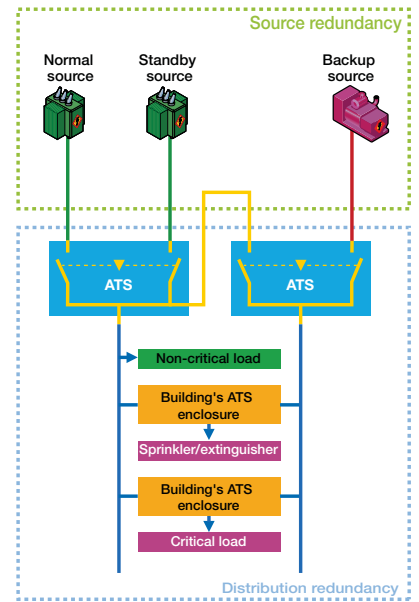
Changing the order of the phases powering a motor with the aim of changing its direction of rotation (fig. 4).



Fig. 4

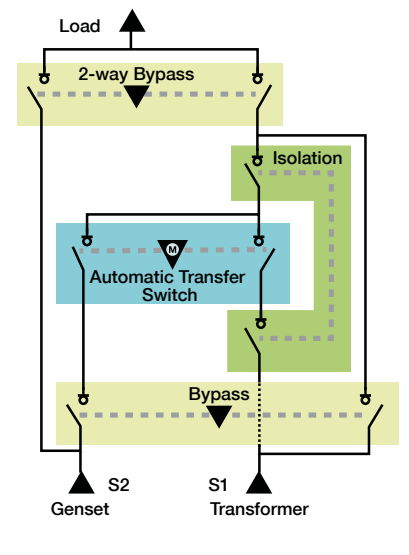
HRB (High-rise Building) application

- Transfer switches are today subject to the official regulations on high-rise buildings and skyscrapers to guarantee a continuity in the power supply, e.g for:
 - Sprinklers
 - Goods lifts/lifts
 - Smoke extraction devices
 - Security lighting
- According to article R122-2 of the French Code of Design and Housing, residential high-rise buildings are those taller than 50 m and those used for all other purposes are taller than 28 m (e.g. hotels, offices).
- The category of high-rise buildings covers those in which the top floor is located at a height greater than 200 m.



ATyS Bypass

- The ATyS Bypass is the ultimate solution for ensuring the complete availability of power for critical loads (nozzles, lifts, pumps, etc.) in vulnerable buildings (high-rise buildings, data centres, healthcare centres, etc.).
- The ATyS Bypass allows you to completely isolate the changeover switch to perform inspections and safely carry out periodic tests without interrupting the power supply.





Selection guide






Enclosed transfer switches

Integrated products and solutions

Which Application?



Which power supply?

MTSE (manual)				RTSE (remotely operated)	
25 to 100 A	160 to 630 A	32 to 100 A	160 to 1600 A	40 to 125 A	
					
COMO CS p. 27	SIRCOVER p. 28	SIRCO M p. 29	SIRCOVER p. 30	ATyS S p. 36	ATyS d S p. 36

Type of enclosure

Polycarbonate	•	•				
Sheet metal			•	•	•	•

Number of poles

2 poles						
3 poles						
4 poles	•	•	•	•	•	•

Supply type

12 VDC power supply					•	
Single 230 VAC supply						
Double 230 VAC supply						•

Mimic panel.

LED					•	•
D10						
D20						

Application

Network-Network	•	•	•	•	•	•
Network-Genset	•	•	•	•	•	•
Genset-Genset	•	•	•	•	•	•

Configuration

Configuration by potentiometers and dip switches						
Configuration by screen and keyboard						
Auto-configuration of voltage and frequency						

IP

3x					•	•
41						
54		•			•(1)	•(1)
65	•	•	•	•		

Connection








High-Low	•	•	•	•		
Low-High					•	•
Low-Low	•	•	•	•	•	•

(1) Optional.

(2) 40 to 160 A only.

▶ Functionalities?

▶ Environment?

	RTSE (remotely operated)			ATSE (automatic)						
	40 to 160 A		200 to 3200 A	40 to 160 A			200 to 3200 A		40 to 3200 A	
										
	<i>ATyS d M</i> p. 34	<i>ATyS d M</i> p. 35	<i>ATyS r</i> p. 37	p.34	<i>ATyS g M</i> p. 35	p. 35	<i>ATyS p M</i> p. 37	<i>ATyS g</i> p. 37	<i>ATyS p</i> p. 37	<i>ATyS Bypass</i> p. 40
	•			•	•					
		•	•			•	•	•	•	•
	•			•						
		•	•		•	•	•	•	•	•
			•							
							•			
	•	•	•	•	•	•	•	•	•	•
	•	•	•	•	•	•	•	•	•	•
	•	•	•							
				•	•	•		•		
							•		•	•
		•				•	•			
	•	•	•			•	•	•	•	•
	•	•		•		•	•			
	•	•	•	•	•	•	•	•	•	•



Manual transfer enclosed switches

Enclosed COMO CS, SIRCOVER, SIRCO M

25 to 1600 A

Integrated products and solutions



como-enc_017_a.eps

COMO CS enclosure
25 to 100 A
Polycarbonate - IP65



coff_563_a_front.eps

SIRCOVER enclosure
160 to 630 A
Polyester - IP65



coff_602_a_front.eps

SIRCO M enclosure
32 to 100 A
Painted steel - IP65



coff_606_a_front.eps

SIRCOVER enclosure
160 to 1600 A
Painted steel - IP65

The solution for

- > Securing the electrical supply for moderately sensitive applications



Strong points

- > Safe operation
- > Suitable for all kinds of environment
- > Easy setup
- > Extensive range

Compliance with standards

- > IEC 60947-6, -1
- > IEC 60364
- > IEC 61439
- > EN 60204-1



Function

Enclosed changeover switches ensure the on-load changeover of circuits and safely isolate all low-voltage electrical circuits by providing protection against contact with live parts and environmental elements such as dust, water and other hazards.

They safely switch sources or loads and enable the shutdown and isolation of the power supply as close to the equipment as possible.

Advantages

Safe operation

- Proximity disconnection.
- Ergonomic control lever.
- Triple lock system.

Suitable for all kinds of environments

- Isolating for chemical environments and outdoor areas.
- Painted steel for impact protection.
- Stainless steel for food processing and pharmaceutical applications.

Easy setup

- Room for cabling.
- Pre-drilled cable-in holes.

Extensive range

- Standard range.
- Products suitable for any use.
- Red-yellow, black lever.

Manual transfer enclosed switches

Enclosed COMO CS, SIRCOVER, SIRCO M

25 to 1600 A

COMO CS in polycarbonate enclosure



como-enc_017_a.eps

General characteristics

- 25 to 100 A
- 3 poles, 4 poles.
- Red lever / yellow backplate.
- Triple lock in OFF position.
- Polyester enclosure.
- Screw-on cover.
- Colour: RAL 7035.
- Degree of protection: IP65.
- Wall-mounted.
- Built-in bridging bars.

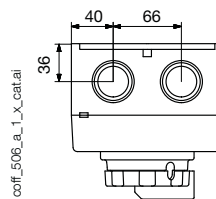
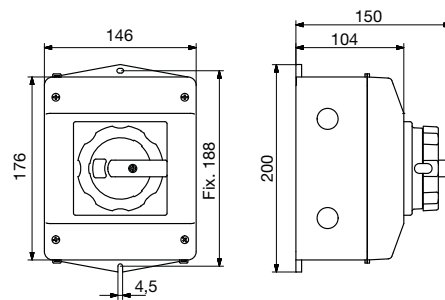
References

Rating (A)	No. of poles	I-0-II Part number	I-II Part number
25	3 P	4331 3C02	4321 3C02
25	4 P	4331 4C02	4321 4C02
40	3 P	4331 3C04	4321 3C04
40	4 P	4331 4C04	4321 4C04
63	3 P	4331 3C06	4321 3C06
63	4 P	4331 4C06	4321 4C06
100	3 P	4331 3C10	4321 3C10
100	4 P	4331 4C10	4321 4C10

Mechanical accessories

Name	Part number
Set of 4 brackets for enclosure P = 171 mm	U000 CB18

Dimensions



coff_506_a_1_x_cat.ai

- 4x M20 pre-drilled holes (on the side)
- 2X M32/M40 pre-drilled holes (top and bottom)
- 2 pre-drilled holes to expel water

Rating (A)	No. of poles	H x W x D (mm)	Cable-in (top and bottom)
25 - 40	3 / 4 P	200 x 146 x 104	2 x (Ø 32 + Ø 40)
63 - 100	3 / 4 P	270 x 180 x 171	-

Electrical features according to IEC 60947-3

Thermal current I_{th} (40°C)	25 A	40 A	63 A	100 A
Enclosed thermal current I_{th} (35°C) (A)	25	40	63	93
Enclosed thermal current I_{th} (50°C) (A)	22	35	54	86
Isolation voltage (U)	690	690	690	690
Rated impulse withstand voltage U_{imp} (kV)	4.8	6	6	6
Rated operational currents I_e (A)				
Usage class at 400 VAC				
AC-21 A	25	40	63	100
AC-22A	20.5	40	63	100
AC-23A	15	29	63	63
Operational power in AC-23 (kW)				
A 400 VAC without pre-break AC	5.5	11	-	-
Conditional short circuit current with gG DIN fuse				
Prospective short circuit current (kA rms)	7	10	-	-
Associated fuse rating (A)	20	40	-	-
Connection				
Min CU cable section (mm ²)	0.5	6	16	35
Max CU cable section (mm ²)	4	-	-	-
Clamping torque	0.8-1.2	1.2-1.5	2.5	1.5
Mechanical features				
Durability (number of operating cycles)	100,000	100,000	100,000	100,000

Manual transfer enclosed switches

Enclosed **COMO CS**, **SIRCOVER**, **SIRCO M**

25 to 1600 A

SIRCOVER in polyester enclosure



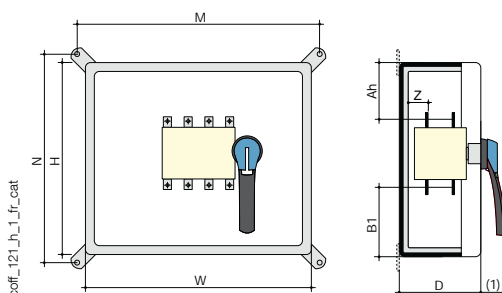
General characteristics

- From 160 to 630 A.
- 3 poles, 4 poles.
- Switch with transfer when OFF (I-0-II), other options on request
- Black lever.
- Triple lock in OFF position.
- Polyester enclosure.
- Door latch system.
- Colour: RAL 7035.
- IP rating: IP54 < 400A; IP65 ≥ 400A.
- Wall-mounted, 4 brackets included.
- Bridging bars (order separately).
- NO/NC auxiliary contact (order separately).
- Terminal screen (order separately).

References

Rating (A)	N° of poles	Part number	Bridging bars	Auxiliary contacts	Protective screen.
160	3 P	4215 3016	4109 3019	1 NO/NC auxiliary contact 4109 0021	1509 3012
	4 P	4215 4016	4109 4019		1509 4012
250	3 P	4215 3025	4109 3025		1509 3025
	4 P	4215 4025	4109 4025		1509 4025
400	3 P	4215 3040	4109 3040		1509 3025
	4 P	4215 4040	4109 4040		1509 4025
630	3 P	4215 3063	4109 3063		1509 3063
	4 P	4215 4063	4109 4063		1509 4063

Dimensions



Rating (A)	N° of poles	H x W x D (mm)	M (mm)	N (mm)	Z (mm)	Ah (mm)	B1 (mm)	Weight (kg)
160	3 P	540 x 270 x 233	272	542	28	210	210	9
	4 P	540 x 360 x 233	362	542	28	210	210	10
250	3 P	540 x 360 x 233	362	542	29	205	205	11
	4 P	540 x 360 x 233	362	542	29	205	205	12
400	3 P	800 x 600 x 300	620	796	29	330	330	30
	4 P	800 x 600 x 300	620	796	29	330	330	31
630	3 P	800 x 600 x 300	620	796	45	297	297	38
	4 P	800 x 600 x 300	620	796	45	297	297	40

Characteristics according to IEC 60947-3, IEC 60947-6-1 and IEC 61439-2

Thermal current I _{th} (40°C)	160A	250A	400A	630A
Enclosed thermal current I _{th} (35°C) (A)	160	250	400	630
Enclosed thermal current I _{th} (50°C) (A)	138	216	345	544
Rated insulation voltage U _i (V)	800	1000	1000	1000
Rated impulse withstand voltage U _{imp} (kV)	8	12	12	12
Rated operational currents I _e (A)				
Rated voltage	Utilisation category			
415 VAC	AC-23 A / AC-23 B			
690 VAC	AC-23 A / AC-23 B	160	250	400
		63/80	125	125
				400
Operational power in AC-23 (kW)				
400 VAC without pre-break AC (kW)	80	132	280	450
690 VAC without pre-break AC (kW)	55/75	90/110	150/185	185/220
Current rated as conditional short-circuit with fuse gG DIN				
Prospective short-circuit current (kA rms)	100	50	50	50
Associated fuse rating (A)	160	250	400	630
Circuit breaker protected short-circuit withstand with any circuit breaker that ensures tripping in less than 0.3s				
Rated short-time withstand current 0.3s. I _{cw} (kA rms)	12	15	15	17
Short-circuit operation (switch only)				
Rated short-time withstand current I _{cw} 1s (kA rms)	7	8	8	10
Connection				
Minimum Cu cable cross-section (mm ²)	35	95	185	2x120
Maximum Cu cable cross-section (mm ²)	95	150	240	2x300

SIRCO M changeover switch in steel enclosure



General characteristics

- 32 to 100A.
- 3 poles + solid neutral , 4th switched pole optional extra (max. 1).
- Black lever
- Triple lock in OFF position.
- Painted steel enclosure.
- Door latch system.
- Fixed via 4 holes at the base of the enclosure.
- Colour: RAL 7035.
- Pre-drilled cable-in holes at top and bottom.
- Degree of protection: IP65.
- Aux contact NO+NC or 2 NC (max. 1 per source) (order separately).
- Terminal shroud (order separately).

References

Rating (A)	No. of poles	I-O-II Part number	Auxiliary contacts	Terminal shroud and screen	
32	3 P + N	4214 5003	1 AC NO + NC 2299 0001	2294 3005 (3 P)	
	4 P	4214 4003		2294 1005 (1 P)	
63	3 P + N	4214 5006		1 AC 2F 2299 0011	2294 3009 (3 P)
	4 P	4214 4006			2294 1009 (1 P)
100	3 P + N	4214 5010			2294 3016 (3 P)
	4 P	4214 4010			2294 1011 (1 P)

Dimensions

Rating (A)	No. of poles	H x W x D (mm)	Cable-in (mm) (top and bottom)
32 - 63	3 P + N 4 P	300 x 250 x 150	Ø 32 + 2 x Ø 50 + Ø 16
100	3 P + N 4 P	400 x 300 x 210	180 x 100

Characteristics according to IEC 60947-3, IEC 60947-6-1 and IEC 61439-2

Thermal current I_{th} (40°C)	32A	63A	100A
	M1	M2	M3
Enclosed thermal current I_{th} (35°C) (A)	32	63	100
Enclosed thermal current I_{th} (50°C) (A)	28	54	86
Rated insulation voltage U_i (V)	800	800	800
Rated impulse withstand voltage U_{imp} (kV)	8	8	8
Rated operational currents I_e (A)			
Rated voltage	Utilisation category		
415 VAC	AC-23 A / AC-23 B	32	63
690 VAC	AC-23 A / AC-23 B	25	40
Operational power in AC-23 (kW)			
400 VAC without pre-break AC (kW)	15	30	45
690 VAC without pre-break AC (kW)	15	30	45
Current rated as conditional short-circuit with fuse gG DIN			
Prospective short-circuit current (kA rms)	50	50	25
Associated fuse rating (A)	32	63	100
Circuit breaker protected short-circuit withstand with any circuit breaker that ensures tripping in less than 0.3s			
Rated short-time withstand current 0.3s. I_{cw} (kA rms)	2.5	3	5
Short-circuit operation (switch only)			
Rated short-time withstand current I_{cw} 1s (kA rms)	1.26	1.5	2.75
Rated peak withstand current (kA peak)	6	9	12
Connection			
Minimum Cu cable cross-section (mm ²)	1.5	2.5	10
Maximum Cu cable cross-section (mm ²)	16	35	70

Manual transfer enclosed switches

Enclosed **COMO CS**, **SIRCOVER**, **SIRCO M**

25 to 1600 A

SIRCOVER in steel enclosure



ccff_606_a_front.eps

General characteristics

- From 160 to 1600 A.
- 3 poles + solid neutral, 4 poles.
- Black lever.
- Triple lock in OFF position.
- Painted steel enclosure.
- Door latch system.
- Colour: RAL 7035.
- Pre-drilled cable-in holes at top and bottom
- Degree of protection: IP65.
- Wall-mounted, 4 brackets included.
- Bridging bars (order separately).
- NO/NC auxiliary contact (order separately).
- Terminal screen (order separately).

References

Rating (A)	No. of poles	I-O-II Part number	Bridging bars	Auxiliary contacts	Protective screen.
160	3 P + N	4214 5016	4109 3019	1 NO/NC auxiliary contact 4109 0021	1509 3012
	4 P	4214 4016	4109 4019		1509 4012
250	3 P + N	4214 5025	4109 3025		1509 3025
	4 P	4214 4025	4109 4025		1509 4025
400	3 P + N	4214 5040	4109 3039		1509 3025
	4 P	4214 4040	4109 4039		1509 4025
630	3 P + N	4214 5063	4109 3063		1509 3063
	4 P	4214 4063	4109 4063		1509 4063
800	3 P + N	4214 5080	4109 3080		1509 3080
	4 P	4214 4080	4109 4080		1509 4080
1250	3 P + N	4214 5084	4109 3120		1509 3080
	4 P	4214 4084	4109 4120		1509 4080
1600	3 P + N	4214 5088	4109 3160		1509 3160
	4 P	4214 4088	4109 4160		1509 4160

Dimensions

Rating (A)	No. of poles	H x W x D (mm)	Cable-in (mm) (top and bottom)
160 - 250	3 P + N 4 P	600 x 400 x 250	280 x 100
400 - 630	3 P + N 4 P	800 x 600,350	560 x 100
800 - 1600	3 P + N 4 P	1200 x 800,500	660 x 100

SIRCOVER in steel enclosure (cont.)

Characteristics according to IEC 60947-3, IEC 60947-6-1 and IEC 61439-2

Thermal current I_{th} (40°C)	160 A	250 A	400 A	630 A	800 A	1250 A	1600 A	
Enclosed thermal current I_{th} (35°C) (A)	160	250	400	630	770	1000	1450	
Enclosed thermal current I_{th} (50°C) (A)	138	216	345	544	665	863	1252	
Rated insulation voltage U_i (V)	800	1000	1000	1000	1000	1000	1000	
Rated impulse withstand voltage U_{imp} (kV)	8	12	12	12	12	12	12	
Rated operational currents I_e (A)								
Rated voltage	Utilisation category							
415 VAC	AC-23 A / AC-23 B	160	250	400	500/630	800	1250	1250
690 VAC	AC-23 A / AC-23 B	63/80	125	125	400	630	800	800
Operational power in AC-23 (kW)								
400 VAC without pre-break AC (kW)	80	132	280	450	710	710	710	
500 VAC without pre-break AC (kW)								
690 VAC without pre-break AC (kW)	55/75	90/110	150/185	185/220	185/220	475	750	
Current rated as conditional short-circuit with fuse gG DIN								
Prospective short-circuit current (kA rms)	100	50	50	50	50	100	100	
Associated fuse rating (A)	160	250	400	630	800	1250	2x800	
Circuit breaker protected short-circuit withstand with any circuit breaker that ensures tripping in less than 0.3s								
Rated short-time withstand current 0.3s. I_{cw} (kA rms)	12	15	15	17	64	64	78	
Short-circuit operation (switch only)								
Rated short-time withstand current I_{cw} 1s (kA rms)	7	8	8	10	35	35	50	
Connection								
Minimum Cu cable cross-section (mm ²)	35	95	185	2 x 120	2 x 185			
Maximum Cu cable cross-section (mm ²)	95	150	240	2 x 300	2 x 300	4 x 185	6 x 185	



Motorised and automatic transfer enclosed switches

ATyS in enclosure

40 to 3200 A

Integrated products and solutions



The solution for

- > High-rise buildings
- > Data centers
- > Energy generation
- > Healthcare buildings
- > Banks and insurance companies
- > Transport (airports, tunnels, etc.)



Strong points

- > Quick installation
- > Wide choice
- > Easy maintenance
- > Adaptability

Compliance with standards

- > IEC 60947-3
- > IEC 60947-6,-1
- > IEC 61439-2



Function

Our **transfer enclosures** are equipped with ATyS motorised and automatic changeover switches to ensure power availability in critical applications. Motorised transfer enclosures are controlled manually or remotely through an external automated system. Automated transfer enclosures automatically ensure that power availability is integrally managed.

Advantages

Quick installation

Easy installation with the network auto-configuration feature. All of the auxiliary contacts, inputs and outputs are routed on terminal strips for high rating ATyS models.

Wide choice

ATyS models have specific functions to make your electrical system safer and smarter. Compatible with all types of BMS/SCADA of your choice. Always know what is happening on your network.

Easy maintenance

ATyS models have maintenance-free arcing contacts. You can also control the device with the emergency lever behind the door.

Adaptability

With a wide range of setup options, our range of enclosed ATyS models are adapted to suit your needs.

ATyS M in polycarbonate enclosure



General features

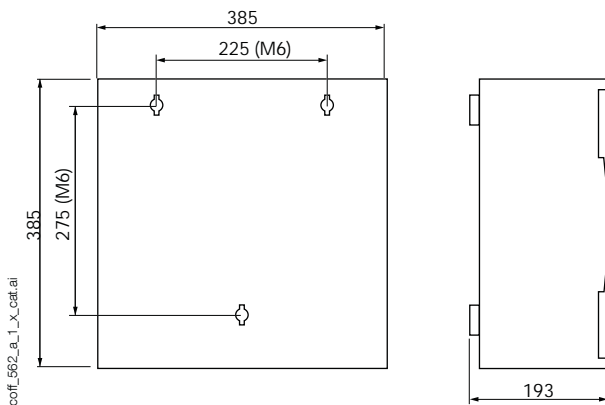
- From 40 to 160 A.
- Mains 230 VAC [176 VAC-288 VAC] 50 Hz or 60 Hz [45 Hz-65 Hz].
- Bridging bar built-in.
- Mounted auxiliary contact.
- IP rating: IP 41.
- Colour: RAL 7035.
- Fixed at the base of the enclosure.
- Cover closed with 4 screws.

References

ATyS p M single-phase (2P) model

Rating (A)	N° of poles	References
40	4 P	1855 4004
63		1855 4006
80		1855 4008
100		1855 4010
125		1855 4012
160		1855 4016

Dimensions



Motorised and automatic transfer enclosed switches

ATyS in enclosure

40 to 3200 A

ATyS M in polycarbonate enclosure



atysm_251_b_1_cat.eps

General features

- From 40 to 160 A.
- 230 VAC [176 VAC-288 VAC] 50 Hz network or 60 Hz [45 Hz-65 Hz]
- Degree of protection: IP 55, IK08.
- Colour: RAL 7035.
- Material: transparent cover, enclosure base: polycarbonate.
- Mounting: 4 holes on the rear of the enclosure.
- Flame resistant to 650°C.

References

ATyS d M single-phase (2P) model

Rating (A)	Part number
40	1823 2004
63	1823 2006
80	1823 2008
100	1823 2010
125	1823 2012
160	1823 2016

ATyS g M single-phase (2P) model

Rating (A)	Part number
40	1854 2004
63	1854 2006
80	1854 2008
100	1854 2010
125	1854 2012
160	1854 2016

Accessories

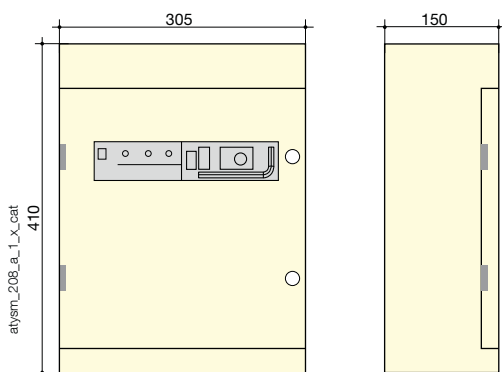
Customer fit

Designation	Part number
Auxiliary contact	1309 0001
Voltage sensing and power supply tap (2 for each part)	1399 4006

For model ATyS d M only

Designation	Part number
ATyS C30 relay driver	1599 3030
ATyS C40 relay driver	1599 3040
Dual power supply	1599 4001

Dimensions



- Weight: 5.5 kg.
- Connection: recommended cable size (Cu): 25 to 70 mm² according to rating (max. cable size: 70 mm²).

ATyS M in steel enclosure



conf_366L_b

General features

- Suitable for environments subject to mechanical risk and dust hazards.
- Bridging bar built-in.
- IP rating: IP3x or IP54.
- Colour: RAL 7035.
- Plates > cables: upstream and downstream.
- Material: 1.2 mm-thick steel.
- Coating: epoxy polyester powder.
- Mounting: 4 wall mounting brackets - not mounted.
- Door: hinged, cutout 327.4x47.6 mm.
- Door lock: 3 mm double bar key (included).

References

ATyS d M models

Rating (A)	No. of poles	IP 3X Part number	IP 54 Part number
40	4 P	1823 4004	1823 4005
63	4 P	1823 4006	1823 4007
80	4 P	1823 4008	1823 4009
100	4 P	1823 4010	1823 4011
125	4 P	1823 4012	1823 4013
160	4 P	1823 4016	1823 4017

ATyS g M models

Rating (A)	No. of poles	IP 3X Part number	IP 54 Part number
40	4 P	1854 4004	1854 4005
63	4 P	1854 4006	1854 4007
80	4 P	1854 4008	1854 4009
100	4 P	1854 4010	1854 4011
125	4 P	1854 4012	1854 4013
160	4 P	1854 4016	1854 4017

ATyS p M + COM RS485 models

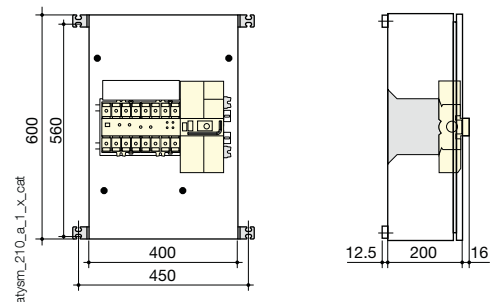
Rating (A)	No. of poles	IP 3X Part number	IP 54 Part number
40	4 P	1884 4004	1884 4005
63	4 P	1884 4006	1884 4007
80	4 P	1884 4008	1884 4009
100	4 P	1884 4010	1884 4011
125	4 P	1884 4012	1884 4013
160	4 P	1884 4016	1884 4017

Accessories

Customer fit

Designation	Part number
Conducting neutral	1309 9008
Kit IP54	1399 4016

Dimensions



- Weight (without accessories): 15 kg.
- Connection (without cage/terminal interface): min. Cu 10 mm², max. 70 mm².

Motorised and automatic transfer enclosed switches

ATyS in enclosure

40 to 3200 A

ATyS S in steel enclosure



General features

- ATyS S and ATyS d S, 40 to 125 A.
- Protection degree IP3X (IP54 optional extra).
- Colour: RAL 7035, epoxy polyester powder.
- Mounting: 4 wall-mounting brackets (not fitted).
- Material: XC steel, thickness 1.2 mm.
- Closing plate: top and bottom.
- Connection of cables: top or bottom.
- Locking device: 3 mm double bar (key included)
- Mains 230/400 VAC, 50/60 Hz \pm 30%.
- Two power supply versions: 12 VDC (ATyS S) and 2 x 230 VAC (ATyS d S).
- Manual emergency operating handle provided with the enclosure.
- Connection kit.
- Position and live voltage LEDs (factory-fit option).
- Priority source and mode selection (factory-fit option - for use with ATyS C30 option).
- Kit for three-phase networks without neutral (factory-fit option).
- Battery charger kit (factory-fit option).

References

Standard product - ATyS S power supply 12 VDC

Rating (A)	No. of poles	Part number
40	4 P	3505 4004
63	4 P	3505 4006
80	4 P	3505 4008
100	4 P	3505 4010
125	4 P	3505 4012

Standard product - ATyS d S power supply 230 VAC

Rating (A)	No. of poles	Part number
40	4 P	3513 4004
63	4 P	3513 4006
80	4 P	3513 4008
100	4 P	3513 4010
125	4 P	3513 4012

Accessories

Factory fitted.

Designation	Part number
Source (voltage) present LEDs	9599 0005
Position LEDs	9599 0006
TEST/AUTO mode selection (with ATyS C30 option)	9599 0007
Priority source selection (with ATyS C30 option)	9599 0008
Surge protection device (SURGYS D40)	9599 0010
Three-phase without neutral	9599 0012
(3Ph+N) 16A auxiliary supply protection kit	9599 0016
Connection kit	9599 0019
Kit IP54	9599 0020
IPXXB protection screen (open door)	9599 0021
Battery charger	9599 0024
Kit for voltage sensing on terminals	9599 0028
Auxiliary contacts prewired to connection terminal	9599 0029
Control/command kit ATyS C30	9599 0030

Customer fit

Designation	Part number
Connection kit	9599 0018
Kit IP54	9599 0020
IPXXB protection screen (open door)	9599 0021

Characteristics according to IEC 61439-1

Operating voltage	40 A	63 A	80 A	100 A	125 A
Power supply voltage ATyS S (DC)	12 V (9-15 V)				
Power supply voltage ATyS d S (AC)	230 V \pm 30% (160-310 V) 50/60 Hz				
Network operating voltage	415 V (50/60 Hz)				

Rated current

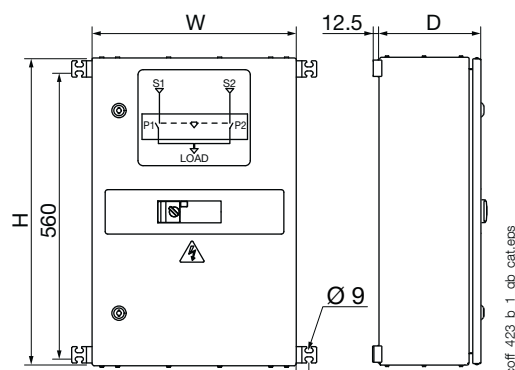
Permissible current (A) at ambient temperature 35°C	40	63	80	100	125
Permissible current (A) at ambient temperature 60°C	40	63	80	100	112

Ambient temperature

Storage	-25 / 70°C
Operation	-25 / 60°C

Dimensions

Rating (A)	Cable cross-section (mm ²)	H (mm)	W (mm)	D (mm)	Weight (kg)
40	10	600	400	200	25
63	16	600	400	200	25
80	25	600	400	200	25
100	35	600	400	200	25
125	50	600	400	200	25



ATyS in steel enclosure



coeff_546_a_eps

General features

- ATyS r, ATyS g and ATyS p, 200 to 3200 A.
- Suitable for environments subject to mechanical risk and dust hazards.
- IP rating: IP54.
- Colour: RAL 7035.
- Closing plates: bottom.
- Cabling: top or bottom from 200A to 250 A, bottom from 400 to 3200 A.
- 2nd aux contact mounted on the ATyS.
- ATyS g model equipped with an ATyS D10 and ATyS p equipped with an ATyS D20.
- Inputs, outputs and auxiliary contacts mounted on terminals.
- Material: XC steel, thickness 2 mm.
- Coating: epoxy powder.
- Mount: Wall-mounted, supplied brackets not fixed (rating ≤400 A), floor-mounted on feet (rating > 400 A).
- Door: solid with hinges.
- Door lock with 3 mm double bar key included.

References

Rating (A)	Housing size	N° of poles	ATyS r Part number	ATyS g Part number	ATyS p Part number
200	B3	4 P	8723 4020	8753 4020	8773 4020
250	B4		8723 4025	8753 4025	8773 4025
400	B4		8723 4040	8753 4040	8773 4040
630	B5		8723 4063	8753 4063	8773 4063
800	B5		8723 4080	8753 4080	8773 4080
1000	B6		8723 4100	8753 4100	8773 4100
1250	B6		8723 4120	8753 4120	8773 4120
1600	B7		8723 4160	8753 4160	8773 4160
2000	B8		8723 4200	8753 4200	8773 4200
2500	B8		8723 4250	8753 4250	8773 4250
3 200	B8		8723 4320	8753 4320	8773 4320

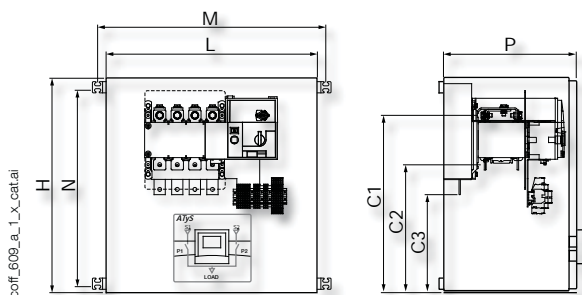
Accessories

Solid neutral

Rating (A)	Part number
200	1599 1020
250	1599 1025
400	1599 1040
630	1599 1063
800	1599 1080
1000	1599 1100
1250	1599 1120
1600	1599 1160
2000	Contact us
2500	Contact us
3 200	Contact us

Dimensions

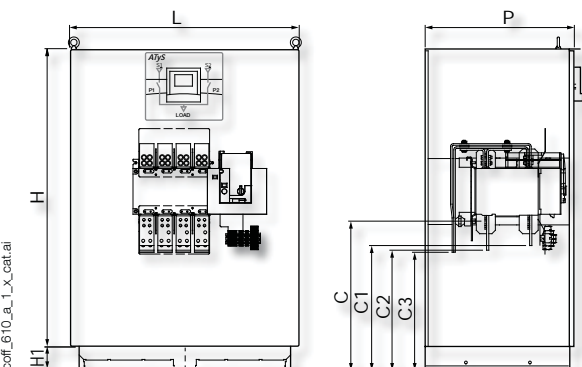
Enclosure, wall-mounted



coeff_606_a_1_x_catal

Rating (A)	Recommended CU cable cross-section (mm ²)	H (mm)	W (mm)	D (mm)	M (mm)	N (mm)	C1 (mm)	C2 (mm)	C3 (mm)	Weight (kg)
200	95	500	600	300	648	458	342	227	-	27
250	120	500	600	300	648	458	352	222	-	28
400	240	600	600	375	648	548	-	320	250	38

Cabinet, floor-mounted



coeff_610_a_1_x_catal

Rating (A)	Recommended CU cable cross-section (mm ²)	H (mm)	L (mm)	D (mm)	H1 (mm)	C (mm)	C1 (mm)	C2 (mm)	C3 (mm)	Weight (kg)
630	2 x 185	800	600	475	100	419	-	-	339	91
800	2 x 240	1000	775	650	100	-	402	353	314	120
1000	4 x 150	1000	775	650	100	455	-	-	374	120
1250	4 x 185	1300	1000	650	100	-	660	-	650	265
1600	4 x 240	1500	1000	800	100	-	393	358	307	374
2000	8 x 150	1800	1000	1000	100	-	577-616	517-476	397-436	500
2500	8 x 185	1800	1000	1000	100	-	577-616	517-476	397-436	600
3 200	8 x 240	1800	1000	1000	100	-	577-616	517-476	397-436	600

Motorised and automatic transfer enclosed switches

ATyS in enclosure

40 to 3200 A

Characteristics

Features according to IEC 60947-3, IEC 60947-6-1 and IEC 61439-1

Thermal current I_{th} at 40°C	200 A	250 A	400 A	630 A	800 A	1000 A	1250 A	1600 A	2000 A	2500 A	3200 A
Rated insulation voltage U_i (V) (power circuit)	800	1000	1000	1000	1000	1000	1000	1000	1000	1000	1000
Rated impulse withstand voltage U_{imp} (kV) (power circuit)	8	12	12	12	12	12	12	12	12	12	12
Rated insulation voltage U_i (V) (control circuit)	300	300	300	300	300	300	300	300	300	300	300
Rated impulse withstand voltage U_{imp} (kV) (command circuit)	4	4	4	4	4	4	4	4	4	4	4

Rated operational current I_e (A) according to IEC 60947-3

Rated voltage	Utilisation category	A/B	A/B	A/B	A/B	A/B	A/B	A/B	A/B	A/B	A/B	A/B
415 VAC	AC-21 A / AC-21 B	200/200	250/250	400/400	630/630	800/800	1000/1000	1250/1250	1600/1600	-/2000	-/2500	-/3200
415 VAC	AC-22 A / AC-22 B	200/200	250/250	400/400	630/630	800/800	1000/1000	1250/1250	1600/1600	-/2000	-/2500	-/3200
415 VAC	AC-23 A / AC-23 B	200/200	200/200	400/400	500/630	800/800	1000/1000	1250/1250	1250/1250	-/1600	-/1600	-/1600

Rated operational current I_e (A) according to IEC 60947-6-1

Rated voltage	Utilisation category											
415 VAC	AC-31 B	200	250	400	630	800	1000	1250	1600	2000	2500	3 200
415 VAC	AC-32 B		200	400	500	800	1000	1250	1250	2000	2000	2000
415 VAC	AC-33 B		200	200	400	800	1000	800	1000	1250	1250	1250

Rated operational current I_e (A) according to IEC 61439-1

Rated voltage	Ambient air temperature:											
415 VAC	20°C	200	250	400	630	800	1000	1250	1600	2000	2500	3 200
415 VAC	35°C	200	250	400	630	770	1000	1130	1450	2000	2500	2960
415 VAC	50°C	200	250	360	570	695	900	1030	1200	1801	2500	2660

Conditional short-circuit current with gG DIN fuse, according to IEC 60947-3

Prospective fuse protected short-circuit withstand at 415 VAC (kA rms)	50	50	50	50	50	50	50	100	100	/	/	/

Connection

Recommended CU cable cross-section (mm ²)	95	120	240	2 x 185	2 x 240	4 x 150	4 x 185	4 x 240	8 x 150	8 x 185	8 x 240

Power supply

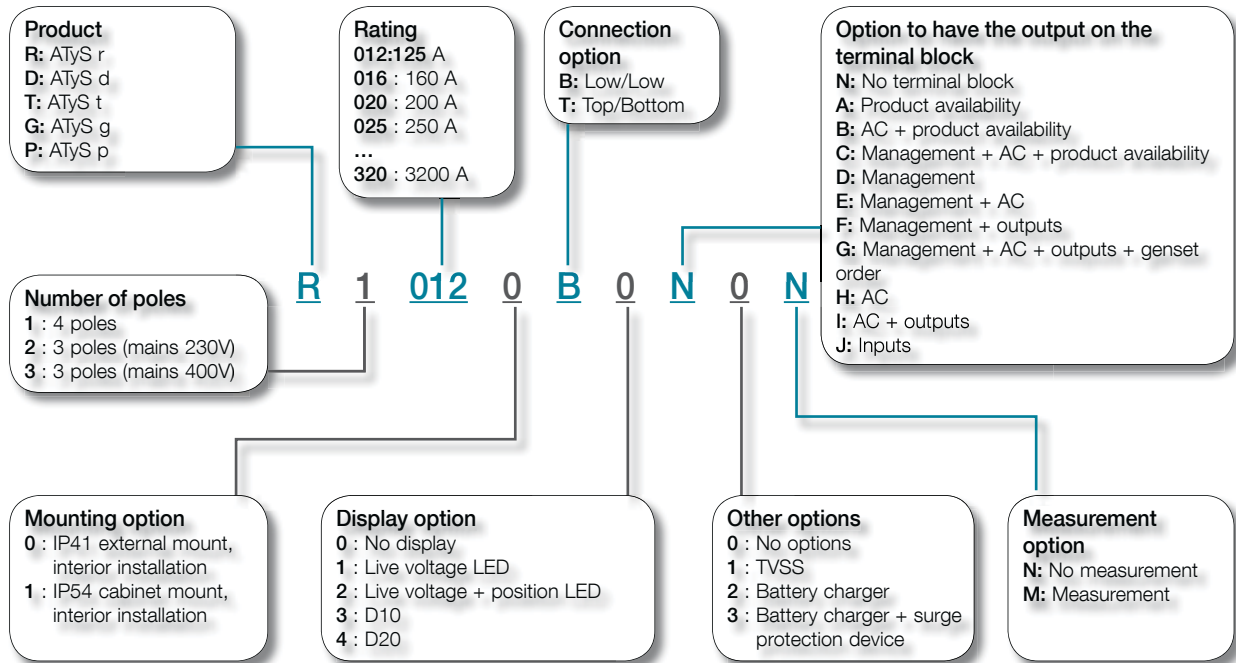
Min./max. power (VAC)	166/332	166/332	166/332	166/332	166/332	166/332	166/332	166/332	166/332	166/332	166/332	166/332

Control supply power demand during transfer

Demand/rated power (VA) - ATyS r	184/92	276/115	276/115	276/150	276/150	460/184	460/184	460/230	812/322	812/322	812/322
Demand/rated power (VA) - ATyS g , p	206/114	298/137	298/137	298/172	298/172	482/206	482/206	482/252	834/344	834/344	834/344

Choose your equipment

Order the right part number



Mounting option

- This option determines the type of mount and the position of the ATyS in the enclosure or cabinet.

Connection option

- This option determines the type of cable connections on your device.

Display option

- This option determines the type of display available at the front of the enclosure. Option compatible only when enclosure is base-mounted.

Option to have the output on the terminal block

- This option determines the connection type for inputs/outputs and auxiliaries on wiring terminals.

Other options

- With this option you can add extra features such as surge protection and/or a genset battery charger.

Measurement option

- This option determines the load current measurement. Option only available on ATyS p.

Delivered equipped and adapted to your needs

- > Socomec can help you decide on the best configuration for your needs.



Transfer enclosed switches

ATyS Bypass

40 to 3200 A

Integrated products and solutions



tablo_036_a_1_cat



tablo_035_a_1_cat

The solution for

- > Data centers
- > Energy generation
- > Healthcare buildings
- > High-rise building
- > Banks and insurance companies
- > Transport



Strong points

- > No load breaks when switching to bypass mode
- > Certified solution
- > A wide range of accessories available

Compliance with standards

- > IEC 61439-2
- > IEC 60947-6,-1
- > IEC 60947-3
- > BS 60947-6-1



Expert Services

Technical site audit, solution specification, advice, commissioning, maintenance, training, etc.

Our Expert Services extend to a complete offer of customised services to make your project a success.



Function

- Automatically switches between 2 sources to ensure continuity of the supply to critical loads such as sprinklers, lifts, water pumps, etc.
- Assures continuity of service during service work, maintenance and testing.
- Full isolation of the automatic switch for safe maintenance work.
- By connecting an **ATyS** to a remote **D20** interface, you can configure, operate and view the measurements at the front of

the equipment (timer settings, thresholds and hysteresis, start/stop of the genset, etc.)

General features

- 40 to 3200 A, 4-pole.
- Mains 230/400 VAC $\pm 20\%$, 50/60 Hz, auto supply from sources.
- Normal/backup control logic.
- Voltage and frequency control of networks I and II.
- Phase rotation control.
- 1 configurable bi-stable output relay for genset start/stop command.
- Control positions I, 0, II with dry contact.
- Manual emergency control.
- Auxiliary contacts.
- JBus/Modbus communication (as standard).
- Auto/Man switch.
- Equipment IP code: IP41 as standard and other IP codes on request.
- Hinged door.
- Retaining brackets (wall mounting) up to 160 A.
- Extension feet from 250 to 3200 A.
- Removable ATyS from 160 A
- Bar identification.
- Mimic panel (3 LEDs for live voltage on source 1, source 2, and load; optional 16-LED mimic panel).
- Built-in protection against direct contact from each functional unit.
- Steel enclosure.
- Colour: RAL 7035.

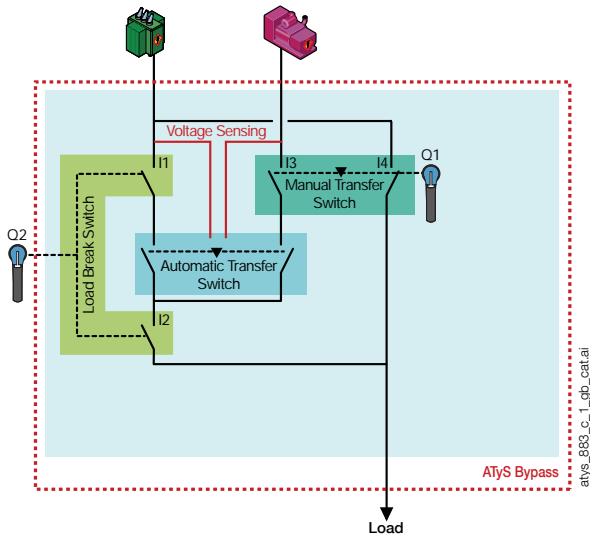
* ATSE: Automatic Transfer Switching Equipment.

2 model versions

ATyS Bypass Single Line

- This consists of 2 components: an automatic changeover switch and a single shunting branch (bypass) connected to the priority source.

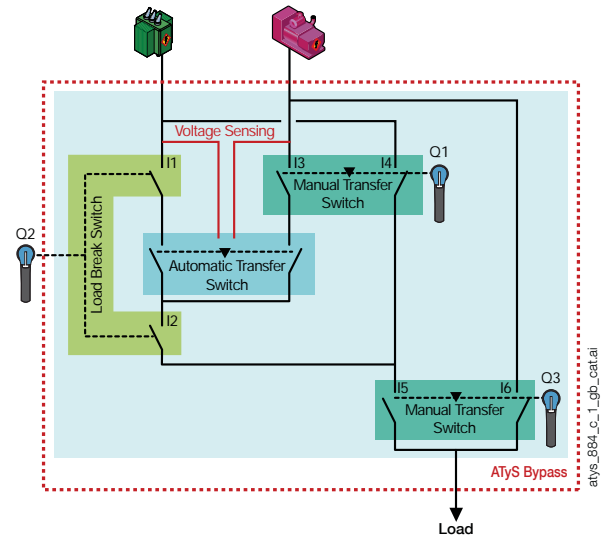
ATyS Bypass - SINGLE LINE



ATyS Bypass Double Line

- This consists of 2 functions: an automatic changeover switch and 2 bypass branches so the available source can be selected during the bypass periods if there is a mains outage.

ATyS Bypass - DOUBLE LINE



Functions

Normal position:

- The load is supplied by the source defined on the ATyS as primary. In the event that there is an outage on this source, the ATyS automatically switches to the backup source as soon as it becomes available.

Bypass position:

- The ATyS switches to bypass mode first by creating a bypass branch via Q1 to maintain the power supply of the load without any interruptions, and then by opening the load break switch Q2. This ensures the complete isolation from all power sources and allows operators to work safely on the system.

Test position:

- From the bypass position, just turn off the Q2 switch to resupply the ATyS and run tests without disturbing the power supply, before returning to the normal position.

References

Standard device - 230 VAC for ATyS p M

Rating (A)	N° of poles	Single line Part number	Double line Part number
40	4 P	1785 4004	1786 4004
63	4 P	1785 4006	1786 4006
80	4 P	1785 4008	1786 4008
100	4 P	1785 4010	1786 4010
125	4 P	1785 4012	1786 4012

Standard device - 230 VAC for ATyS p

Rating (A)	N° of poles	Single line Part number	Double line Part number
160	4 P	1785 4016	1786 4016
250	4 P	1785 4025	1786 4025
400	4 P	1785 4040	1786 4040
630	4 P	1785 4063	1786 4063
800	4 P	1785 4080	1786 4080
1000	4 P	1785 4100	1786 4100
1250	4 P	1785 4120	1786 4120
1600	4 P	1785 4160	1786 4160
2000	4 P	1785 4200	1786 4200
2500	4 P	1785 4250	1786 4250
3 200	4 P	1785 4320	1786 4320

Transfer enclosed switches

ATyS Bypass

40 to 3200 A

Accessories

Customer fit

Designation	Part number
Module with 2 inputs / 2 outputs (ATyS p only)	1599 2001 ⁽¹⁾

(1) Option to install max. 3 part numbers.

Extension enclosure

Use

From 1250 to 3200 A, the standard enclosed ATyS Bypass solution can connect the sources from below and connect the load from below or above.

To make it easier to connect, you can opt for an extension enclosure featuring every type of connection (LL/HH/HL/LH).

Rating (A)	Part number
1250 - 2000	1599 9004
2500 - 3200	1599 9005



kdrys_504_a_2_cat

Surge protection

Use

Protect your equipment against surges with a type 1 and type 2 surge protector kit.

voir catalogue général page 646.

For more information,

Rating (A)	Part number
40 - 125	1599 9016
250 - 400	1599 9017
630 - 3200	1599 9018



sgys_069_a_1_cat

For measuring and monitoring electrical parameters

Use

Measuring systems are available to give the user all the necessary readings for monitoring electrical distribution.

voir catalogue général page 376.

For more information,



diris_750_a_1_cat

Programmable timer

Use

The enclosed ATyS Bypass solution < 250 A is available with a timer system to manage generator testing.

Description	Part number
Programmable timer	1599 9006



access_276_a_1_cat

Tin-plated bars

Use

For harsh environmental conditions you can have the bars tin-plated.

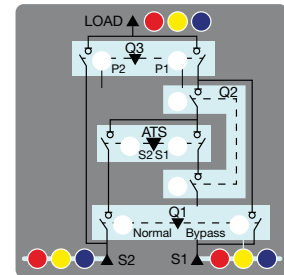
Rating (A)	Part number
250	1599 9007
400	1599 9008
630	1599 9009
800	1599 9010
1000	1599 9011
1250 - 1600	1599 9013
2000	1599 9014
2500 - 3200	1599 9015

Signalling

Use

For a full overview of the system's state, opt for a 17-LED mimic panel (live voltage LED per phase and device position).

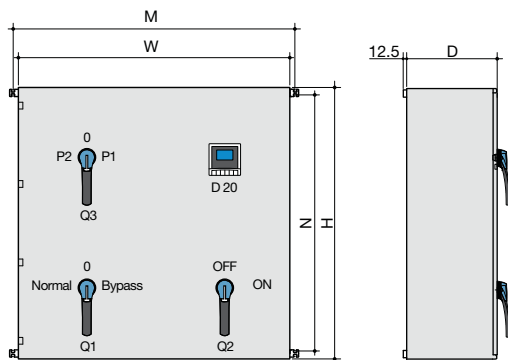
Rating (A)	Mimic panel.	
	Single line Part number	Double line Part number
40 - 3200	Contact us	Contact us



access_2715_b_1_x_cat

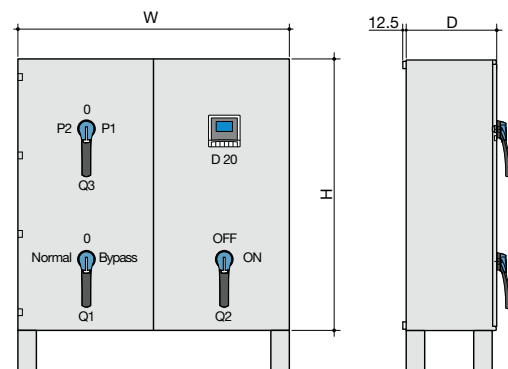
Dimensions

40 to 160 A



atys_749_d_1_gb_cat

≥ 250 A



atys_759_d_1_gb_cat

Wall-mounted - downstream

Rating (A)	Recommended cross-section (mm ²)	H (mm)	W (mm)	P (mm)	M (mm)	N (mm)	Weight (kg)
40	10	800	800	300	848	752	80
63	16	800	800	300	848	752	80
80	25	800	800	300	848	752	80
100	35	1000	800	300	848	752	80
125	50	1000	800	300	848	752	80
160	70	1000	800	400	848	752	160

Floor-mounted - downstream

Rating (A)	Recommended cross-section (mm ²)	H (mm)	W (mm)	P (mm)	Weight (kg)
250	120	1200 ⁽¹⁾	1000	550	180
400	240	1200 ⁽¹⁾	1000	550	200
630	2 x 185	1600 ⁽²⁾	1200	600	600
800	2 x 240	1800 ⁽²⁾	1600	800	1000
1000	4 x 150	1800 ⁽²⁾	1600	800	1000
1250	4 x 185	2000 ⁽³⁾	2000	1000	2000
1600	4 x 240	2000 ⁽³⁾	2000	1000	2000
2000	8 x 150	2000 ⁽⁴⁾	2200	1000	2500
2500	8 x 185	2000 ⁽⁴⁾	2200	1000	2500
3 200	8 x 240	2000 ⁽⁴⁾	2200	1000	2500

Connection (input/output)

- 40 to 125 A (L/L or H/L or H/H or L/H).
- 160 to 400 A (L/L or L/H).
- 630 A (L/L).
- ≥ 800 A (please ask).

- (1) Add 200 mm for the base feet.
- (2) Add 100 mm for the base feet.
- (3) Add 125 mm for the base feet.
- (4) Add 120 mm for the base feet.

Model: SOCOMEC
Production: SOCOMEC
Photography: Martin Bernhart and Studio Objectif
Printing:

Socomec: our innovations supporting your energy performance

1 independent manufacturer

3,200 employees
worldwide

10 % of sales revenue
dedicated to R&D

400 experts
dedicated to service provision

Your power management expert



POWER
SWITCHING



POWER
MONITORING



POWER
CONVERSION



EXPERT
SERVICES

The specialist for critical applications

- Control, command of LV facilities
- Safety of persons and assets
- Measurement of electrical parameters
- Energy management
- Energy quality
- Energy availability
- Energy storage
- Prevention and repairs
- Measurement and analysis
- Optimisation
- Consultancy, commissioning and training

A worldwide presence

8 production sites

- France (x3)
- Italy
- Tunisia
- India
- China (x2)

27 subsidiaries

- Australia • Belgium • China • France
- Germany • India • Italy • Netherlands
- Poland • Romania • Singapore
- Slovenia • Spain • Switzerland • Thailand
- Tunisia • Turkey • UK • USA

80 countries

where our brand is distributed

HEAD OFFICE

SOCOMECC GROUP

SAS SOCOMECC capital 10 633 100 €
R.C.S. Strasbourg B 548 500 149
B.P. 60010 - 1, rue de Westhouse
F-67235 Benfeld Cedex
Tel. +33 3 88 57 41 41 - Fax +33 3 88 57 78 78
info.scp.isd@socomecc.com

YOUR DISTRIBUTOR / PARTNER

www.socomecc.com

