

SIRCO DC/SIRCO DC ESS

Load break switches for direct current applications
from 2000 to 3600 A, up to 1500 VDC



sirco_515_fronteps

The solution for

- > Energy
- > Industry

Strong points

- > High-performance switching
- > Design tested in application
- > Reduced total cost of ownership

Conformity to standards

- > IEC 60947-3
- > GB/T 14048.3
- > UL 98B



Function

SIRCO DC and **SIRCO DC ESS** units are manual control multipolar load break switches. They provide make and break on load and safety disconnection for all low voltage electrical circuits for direct current applications up to 1500 VDC.

Advantages

High-performance switching

SIRCO DC and SIRCO DC ESS load break switches include a patented technology providing 1500 VDC breaking capacity with only 2 poles, with significant power loss reduction. This range covers nominal values from 2000 to 3600 A, 1500 VDC.

Design tested in application

Designed and tested for numerous direct current applications, with tried-and-tested performance in the most difficult environments.

The arc quenching system provides safe disconnection, arc quenching and quick current interruption.

- Tested against high short-circuit systems with and without fuse protection to provide complete protection for the system above 210 kA.
- Tried-and-tested against severe environmental factors, in particular: "Annex Q level C according to IEC" tested in salt mist, at high temperature and altitude, tested in humidity cycle.

Reduced total cost of ownership

Developed with a view to reducing costs for the user, the product has improvements that ensure the lowest total cost of ownership.

- Flexible connection configurations enable simple input and output connection, with savings made by not using bridging bars in series.
- The multi-circuit design enables configuration of one 3600 A circuit or two 1600 A circuits for greater flexibility.
- A single design for IEC and UL products provides the same base design for customers with IEC or UL machines.
- A compact solution with reduced footprint and weight improves the durability, while reducing packaging, transport and installation costs.

General characteristics

- Up to 1500 VDC, 2000 to 3600 A.
- Patented switching technology up to 1500 VDC on 2 poles.
- High short-circuit option available.

References

1500 VDC

Rating (A) / Frame size	No. of poles No. of circuits	Switch body	Bridging bars for series or parallel pole connection ⁽¹⁾
2 x 1600 A / B7ds	4P 2 circuit	26DC 4320	-
2000 A / B7ds (UL)	4 P 1 circuit	27DC 4200	1909 0001
2500 A / B7ds		26DC 4250	1909 0001
3200 A / B7ds		26DC 4320	1909 0001
3600 A / B7ds		26DC 4360	1909 0001

(1) Bridging bars only connect 2 poles in series, see wiring diagram for amount of series connections required

1500 VDC High Short Circuit

Rating (A) / Frame size	No. of poles No. of circuits	Switch body	Bridging bars for connecting poles in series ⁽¹⁾
2 x 1600 A / B7ds	4 P 2 circuit	26ES 4320	-
2000 A / B7ds (UL)	4 P 1 circuit	27ES 4200	1909 0001
2500 A / B7ds		26ES 4250	1909 0001
3200 A / B7ds		26ES 4320	1909 0001
3600 A / B7ds		26ES 4360	1909 0001

(1) Bridging bars only connect 2 poles in series, see wiring diagram for amount of series connections required

Accessories

Direct operation handle

Frame size	Handle type	Reference
B7 _{DS}	V0	2799 7072



Door interlocked external operation handle

Use

Door interlocked external operation handles include an escutcheon, are padlockable and must be utilised with an extension shaft.

In a combiner box, located close to the solar cell strings, or located close to the inverter, we recommend to use a door interlocked external handle for its safety features.

Example

The locking function of the enclosure in the "ON" position will force the operator to safely disconnect and isolate the solar cell strings prior to any intervention.

Opening the door when the switch is on "ON" position is possible by defeating the locking function using a tool (authorised persons only).

The interlocking function is restored when the door is re-closed.

Frame size	Handle type	Handle colour	Degree of protection	Reference
B7 _{DS}	V1	Black	IP65	2799 7145



SIRCO DC/SIRCO DC ESS

Load break switches for direct current applications
from 2000 to 3600 A, up to 1500 VDC

Accessories (continued)

Shaft for external handle

Use

Standard lengths:
320 mm,
- 400 mm.

Other lengths: Please consult us.

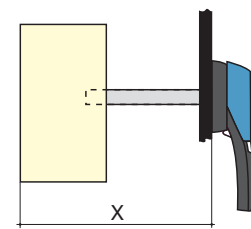
Frame size	Handle type	Dimensions X (mm)	Length (mm)	Reference
B7 _{DS}	V1	425...697	320	4199 3018
B7 _{DS}	V1	425...777	400	4199 3019



access_144.eps



access_369.eps



access_202_a_1_x_cat.eps

Bridging bars

Use

The bridging bars will make easy the connection of poles in series or parallel.

Connection diagrams:
see "Pole series connections".

Rating (A) Frame size	Number of poles of the device in series	Pack	Reference
2000 (UL) / B7 _{ds} ⁽¹⁾	2	1 piece	1909 0001
up to 3600 / B7 _{ds} ⁽²⁾	2		1909 0001

(1) UL B7_{ds} requires 4 pcs (2) IEC B7_{ds} requires 8 pcs



access_592.eps

Auxiliary contact

Use

Pre-break and signalisation of position I:
1 to 2 NO/NC auxiliary contacts
(1 as standard).
Low level auxiliary contacts: please consult us.

Connection to the control circuit

By 6.35 mm fast-on terminal.
Electrical characteristics
30 000 operations.

Characteristics					
		Operating current I _o (A)			
Rating (A)	Nominal current (A)	250 VAC AC-13	400 VAC AC-13	24 VDC AC-13	48 VDC AC-13
250 ... 3200	16	12	8	14	6

References

NO/NC changeover contact			
Frame size	Rating (A)	Contact(s)	Reference
B7 _{ds}	1600 ... 3200	2 nd	1999 1032



access_065_a_1_cat



svr_058_a_1_cat

Characteristics according to IEC 60947-3

2000 A to 3600 A at 1500 VDC

Thermal current I_{th} at 40°C*				2 x 1600	2000	2500	3200	3600
Rated voltage				(A)	(A)	(A)	(A)	(A)
Rated insulation voltage U_i (V)				1500	1500	1500	1500	1500
Rated impulse withstand voltage U_{imp} (kV)				12	12	12	12	12
Frame size				B7ds	B7ds	B7ds	B7ds	B7ds

Thermal current I_{th} at 40°C*				2 x 1600	2000	2500	3200	3600
Rated voltage	Utilisation category	Ambient temperature (°C)	(A)	(A)	(A)	(A)	(A)	(A)
1500 VDC	DC-21 B	40	2 x 1600	2000	2500	3200	3600	3600
1500 VDC	DC-21 B	50	2 x 1600	2000	2500	3200	3200	3500
1500 VDC	DC-21 B	60	2 x 1400	2000	2500	3200	3200	3200
1500 VDC	DC-21 B	70	2 x 1200	2000	2500	2900	2900	2900

Short circuit capacity

Rated short time withstand current I_{cw} 1s (kA rms)	IEC 60947-3, GB/T 14048.3	20	45	45	45	45	45
Rated short-circuit making capacity I_{cm} (kA peak)	IEC 60947-3, GB/T 14048.3	20	45	45	45	45	45

* for higher ambient temperature values, consult us

Short circuit capacity (ESS range)

Rated conditional short-circuit current I_q (kA rms)	IEC 60947-3, GB/T 14048.3	105	210	210	210	210	210
--------------------------------------------------------	---------------------------	-----	-----	-----	-----	-----	-----

Connection

Rigid Cu cable cross-section (mm ²)	-	-	-	-	-	-	-
Maximum Cu busbar width (mm)	63	100	100	100	100	100	100
Tightening torque min/max (Nm)	40/45	40/45	40/45	40/45	40/45	40/45	40/45

Mechanical characteristics

Durability (number of operating cycles)	6500	6500	6500	6500	6500	6500	6500
Weight of a 4 pole device (kg)	34	34	34	34	34	34	34

Characteristics according to UL 98B and IEC 60947-3

2000 A at 1500 VDC (B7ds UL)

Thermal current I_{th} at 40°C*				2000			
Rated voltage	Utilisation category	Ambient temperature (°C)	(A)	(A)			
1500 VDC	UL 98B	40	-	2000	-	-	-
1500 VDC	DC-21 B	40	-	-	-	3200	-
1500 VDC	DC-21 B	50	-	-	-	3200	-
1500 VDC	DC-21 B	60	-	-	-	3200	-
1500 VDC	DC-21 B	70	-	-	-	2900	-

* For higher ambient temperature values, consult us

Short circuit capacity

Prospective short-circuit current (kA rms DC) (kA rms)	UL 98B	-	10	-	-	-	-
--------------------------------------------------------	--------	---	----	---	---	---	---

Short circuit capacity (ESS range)

Rated conditional short-circuit current I_q (kA rms)	IEC 60947-3, GB/T 14048.3	210		210			
--------------------------------------------------------	---------------------------	-----	--	-----	--	--	--

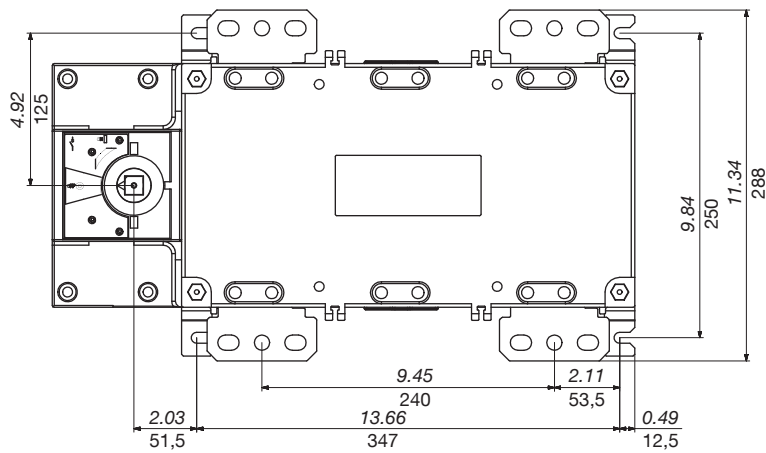
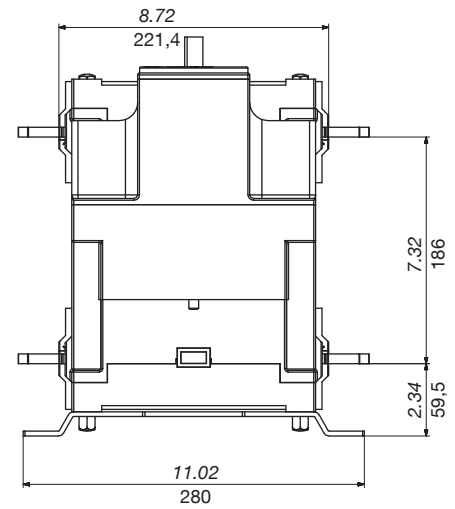
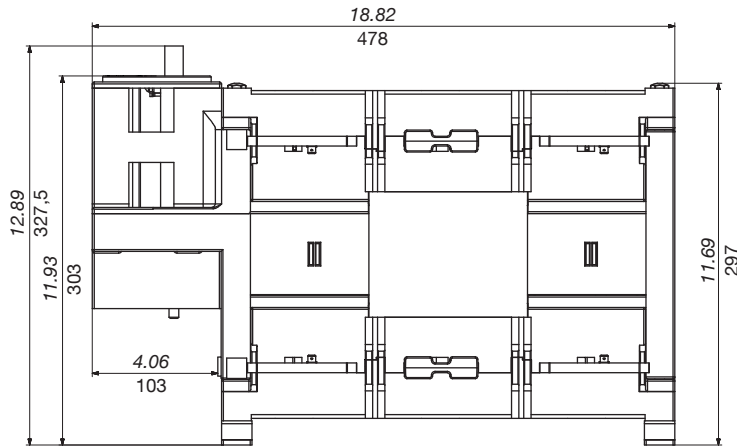
SIRCO DC/SIRCO DC ESS

Load break switches for direct current applications
from 2000 to 3600 A, up to 1500 VDC

Dimensions

2000 to 3600 A / B7ds / 1500 VDC

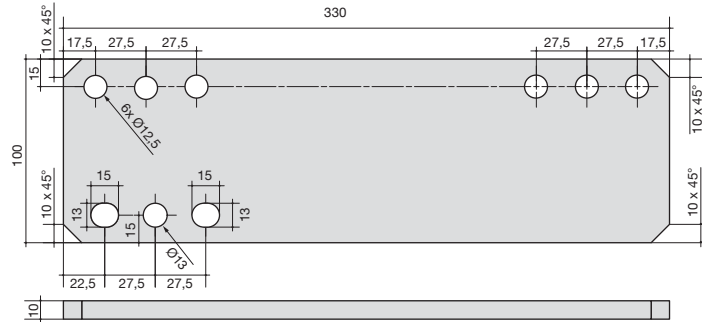
Dimensions in inch / mm.



Dimensions (continued)

2500 - 3600 A (1500 V) - IEC

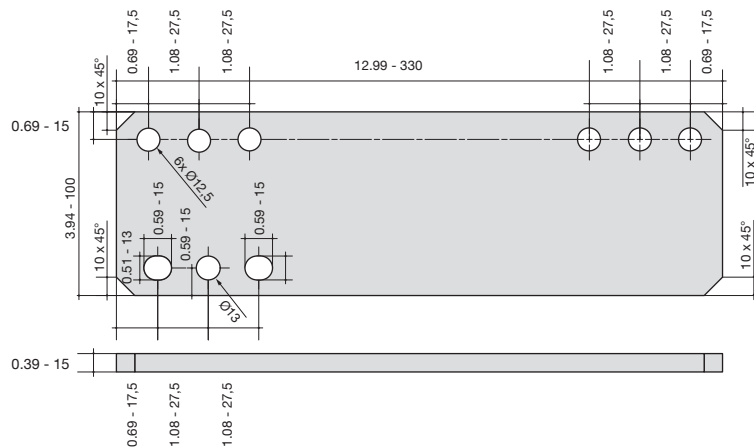
Dimensions in mm.



sirco-md_017

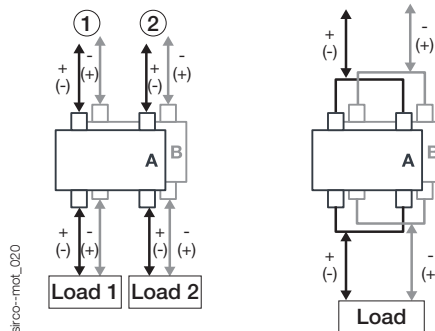
2000 A (1500 V) - UL

Dimensions in inch / mm.



Pole series connections 1500 VDC

2 + 2 Pole (4 Pole) connections



sirco-md_020

Two circuits up to 1600 A
 One circuit up to 3600 A (IEC) & 2000 A (UL)