

RLK8-800B4

Revolutionary 4K Security Camera System with Person/Vehicle Detection & 2TB HDD 8-Channel NVR

- Person/Vehicle Detection
- 4K 8MP Ultra HD
- 2TB HDD 8-Channel NVR

Specifications

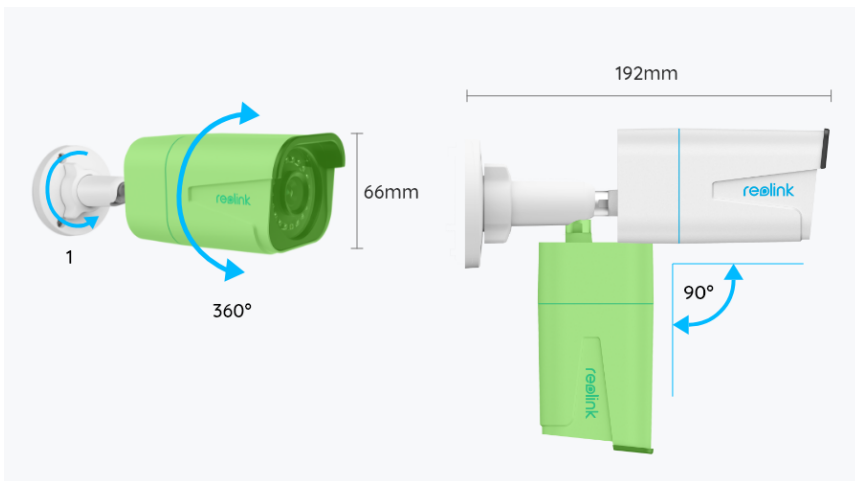
Video & Audio	
Image Sensor	1/2.49" CMOS Sensor
Video Resolution	Default: 3840X2160 (8 megapixels) @20FPS
Lens	f=4.0 mm fixed, F=2.0, with IR cut
Video Compression	H.265
Field of View	• Horizontal: 87° • Vertical: 44°
Day & Night	IR-cut filter with auto-switching
Night Vision	30 meters (100ft) (LED: 18pcs/14mil/850nm)
Frame Rate	• Mainstream: 2fps - 20fps (default: 20fps) • Substream: 4fps - 15fps (default: 10fps)
Code Rate	• Mainstream: 4096Kbps - 8192Kbps (default: 6144Kbps) • Substream: 64Kbps - 512Kbps (default: 256Kbps)
Audio	Audio recording
Detection/Recording Modes	

Smart Alarms	Person detection/vehicle detection/ motion detection
Recording Modes	Motion-triggered recording (default); scheduled recording, 24/7 recording
Power	
PoE	IEEE 802.3af, 48V Active
DC Power	DC 12.0V 1A, <12W
Interface	
Power	DC power port
System	Reset button
Ethernet	One 10M/100Mbps RJ45
Audio	Built-in microphone
Working Environment	
Temperature	Operating temperature: -10°C~+55°C (14°F~131°F)
Humidity	Operating humidity: 10% ~ 90%
Waterproof	IP67
Size & Weight	
Dimensions	Φ66 x 192mm
Weight	485g
Warranty	
Limited Warranty	2-year limited warranty. For support, visit https://support.reolink.com/hc/en-us/

Gallery & Specs



1. Mount
2. Metal Aluminum Case
3. 18 IR LEDs
4. High Definition Lens (f=4.0mm)
5. Daylight Sensor



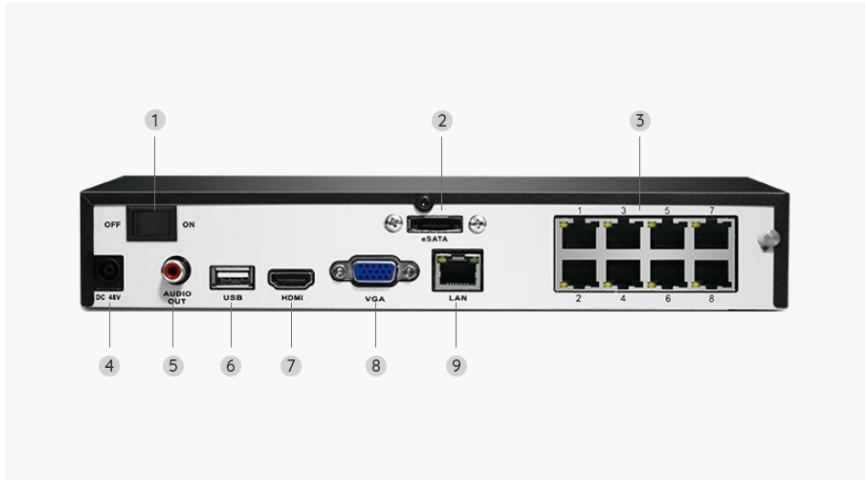
1. Unscrew it (counterclockwise) to loosen the bracket and adjust the camera in any direction.
2. After adjustment, twist it back to fix the camera.



1. Power
2. Reset Button
3. Network
4. Waterproof Lid



1. USB Port
2. Power LED/HDD LED
3. Control Panel



1. On/Off Switch
2. eSATA
3. RJ45
4. Power Input
5. Audio Out
6. USB Port
7. HDMI Port
8. VGA Port
9. Network

www.reolink.com