

RLC-811WA

Smart 4K UHD Wi-Fi 6 Security Camera with Color Night Vision

- 4K 8MP Ultra HD
- 2.4/5 GHz Dual-Band Wi-Fi
- Color Night Vision
- Person/Vehicle/Animal Detection



Specifications

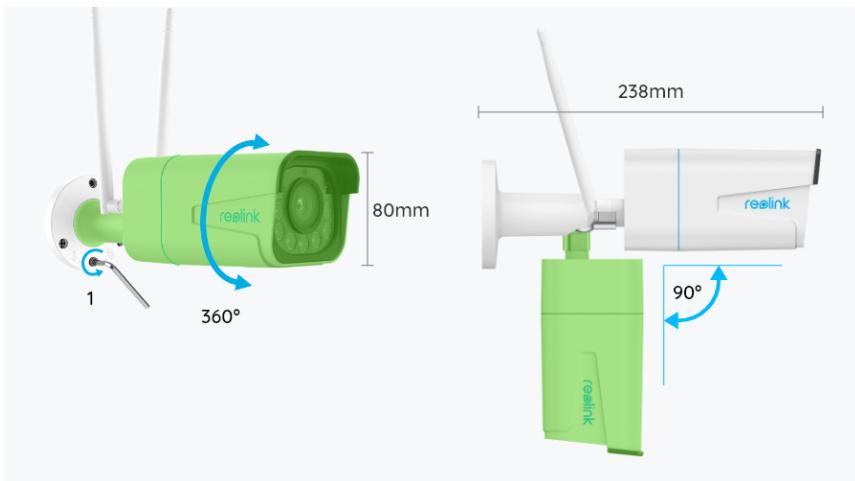
Video & Audio	
Image Sensor	1/2.8"CMOS sensor
Resolution	3840 x 2160 (8 megapixels) @15fps
Video Compression	H.265
Zoom	5X optical zoom
Field of View	Horizontal: 31°- 105°; Vertical: 17°-55°
Infrared Night Vision	Up to 30 meters (100ft); LED: 4pcs/3w/850nm (Auto-switching with IR-cut filter)
Color Night Vision	Spotlight: 5pcs/4w/6500k
Audio	Two-way audio
Detection & Alerts	
Smart Alarm	Motion detection; person detection; vehicle detection; animal detection
Recording	Motion-triggered recording (default); scheduled recording, 24/7 recording
Power	

DC Power	DC 12.0V $\frac{1}{3}$ 1A, <12W
Wi-Fi	
WiFi Standard	IEEE 802.11 a/ac/b/g/n
Operating Frequency	2.4GHz/5GHz
WiFi Security	WPA/WPA2
Software Features	
System	Reset button
OS Supported	PC: Windows, Mac OS; Smartphone: iOS, Android
Protocols & Standards	HTTPS, SSL, TCP/IP, UDP, IPv4, UPnP, RTSP, RTMP, ONVIF, SMTP, NTP, DHCP, DNS, DDNS, FTP, P2P
Maximal User Access	Max. 20 users (1 admin & 19 user); max. 12 simultaneous streams (2 main & 10 sub streams)
Works with	Google Assistant
Storage	
Local Storage	microSD card slot (Max. 256GB)
Working Environment	
Operating Temperature	-10°C~+55°C (14°F~131°F)
Operating Humidity	10% ~ 90%
Weatherproof	IP67
Size & Weight	
Size	80 x 72 x 238mm
Weight (Battery included)	863g
Warranty	
Limited Warranty	2-year limited warranty. For support, visit https://support.reolink.com/hc/en-us/ .

Gallery & Specs



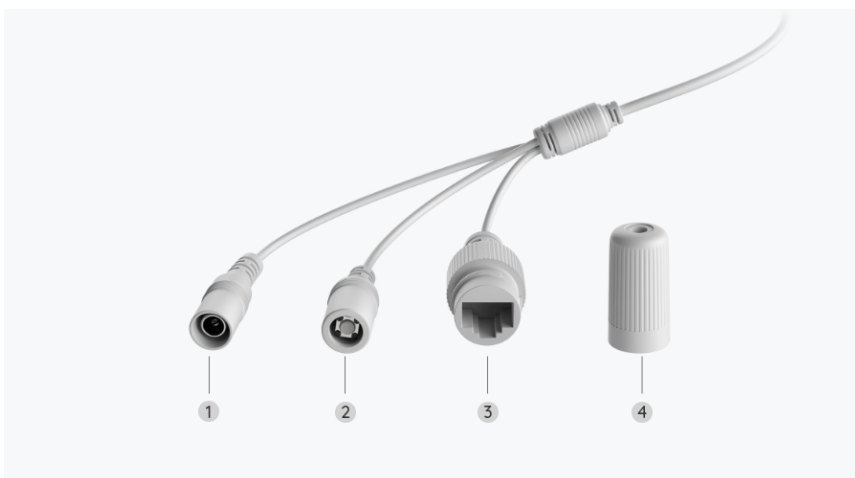
1. Antenna
2. Aluminum Housing
3. Bracket
4. 4 Infrared LEDs
5. High Resolution Lens
6. 5 Spotlights



1. Loosen the screw (counterclockwise) with the wrench and adjust the camera in any direction. 2. After adjustment, tighten the screw to fix the camera.



- 1 microSD Card Slot



1. Power
2. Reset Button
3. Network

