

RLC-810A

4K 8MP Smart PoE IP Camera with Person/Vehicle Detection & Clear Night Vision

- 4K 8MP Ultra HD
- Person/Vehicle Detection
- IP66 Waterproof

Specifications

Video & Audio	
Image Sensor	1/2.49" CMOS Sensor
Video Resolution	3840x2160 (8.0 Megapixels) at 25 frames/sec
Lens	f=4.0mm fixed; F=2.0, with IR-cut filter
Video Compression	H.265
Field of View	<ul style="list-style-type: none"> • Horizontal: 87° • Vertical: 44°
Day & Night	Auto-switching with IR-cut filter
Night Vision	30 meters (100ft) (LED: 18pcs/14mil/850nm)
Audio	Audio recording
Power	
PoE	IEEE 802.3af, 48V Active
DC Power	DC 12.0V 1A, <12W
Interface	
Power	DC power port

System	Reset button
Ethernet	One 10M/100Mbps; RJ45
Storage	MicroSD card slot (support up to 256GB)
Audio	Built-in microphone
Software Features	
Frame Rate	<ul style="list-style-type: none"> • Mainstream: 2fps - 25fps (default: 25fps) • Substream: 4fps - 15fps (default: 10fps)
Code Rate	<ul style="list-style-type: none"> • Mainstream: 4096Kbps - 8192Kbps (default: 6144Kbps) • Substream: 64Kbps - 512Kbps (default: 256Kbps)
Browser Supported	Edge, Chrome, Firefox, Safari
OS Supported	PC: Windows, Mac OS; Smartphone: iOS, Android
Smart Alarm	Motion detection; person detection; vehicle detection; pet detection
Record Mode	Motion-triggered recording (default); scheduled recording; 24/7 recording
Protocol & Standard	HTTPS, SSL, TCP/IP, UDP, HTTP, IPv4, UPnP, RTSP, RTMP, SMTP, NTP, DHCP, DNS, DDNS, FTP, P2P
Maximal User Access	20 users (1 admin account & 19 user accounts); support up to 12 simultaneous video streams (10 substreams & 2 mainstreams)
Smart Home	Google Assistant
Working Environment	
Temperature	Operating temperature: -10°C - +55°C (14°F - 131°F)
Humidity	Operating humidity: 10% - 90%

Waterproof	IP67
Size & Weight	
Dimensions	60 x 66 x 192mm
Weight	488g
Warranty	
Limited Warranty	2-year limited warranty. For support, visit https://support.reolink.com/hc/en-us/

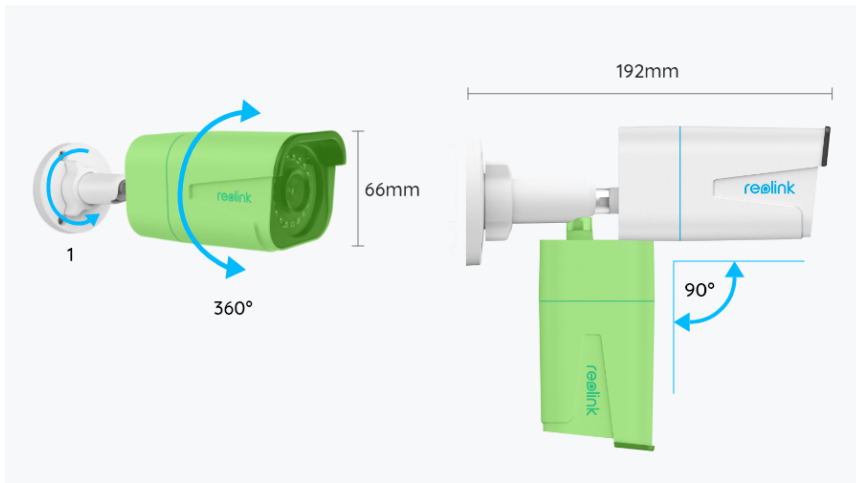
Gallery & Specs



1. Mount
2. Metal Aluminum Case
3. 18 IR LEDs
4. High Definition Lens (f=2.8mm/4.0mm/6.0mm)
5. Daylight Sensor



1. Power
2. Reset Button
3. Network
4. Waterproof Lid



1. Unscrew it (counterclockwise) to loosen the bracket and adjust the camera in any direction.
2. After adjustment, twist it back to fix the camera.