

RLC-510A

5MP Smart PoE IP Camera with Person/Vehicle Detection, 100ft Night Vision & Audio Recording

- Person/Vehicle Detection
- 5MP Super HD
- 100ft Night Vision

Specifications

Video & Audio	
Image Sensor	1/2.7" CMOS Sensor
Video Resolution	2560x1920 (5.0 Megapixels) at 30 frames/sec
Lens	f=4.0mm fixed; F=2.0, with IR-cut filter
Video Compression	H.264
Field of View	<ul style="list-style-type: none"> • Horizontal: 80° • Vertical: 48°
Day & Night	Auto-switching with IR-cut filter
Night Vision	Up to 30 meters (100ft) (LED: 18pcs/14mil/850nm)
Audio	Audio recording
Power	
PoE	IEEE 802.3af, 48V Active
DC Power	DC 12.0V 1A, <12W
Interface	

Power	DC power port
System	Reset button
Ethernet	One 10M/100Mbps; RJ45
Storage	microSD card slot (support up to 256GB)
Audio	Built-in microphone
Software Features	
Frame Rate	<ul style="list-style-type: none"> • Mainstream: 2fps - 30fps (default: 30fps) • Substream: 4fps - 15fps (default: 10fps)
Code Rate	<ul style="list-style-type: none"> • Mainstream: 1024Kbps - 8192Kbps (default: 6144Kbps) • Substream: 64Kbps - 512Kbps (default: 256Kbps)
Browser Supported	Edge, Chrome, Firefox, Safari
OS Supported	PC: Windows, Mac OS; Smartphone: iOS, Android
Smart Alarm	Person detection; vehicle detection; motion detection
Record Mode	Motion-triggered recording (default); scheduled recording; 24/7 recording
Protocol & Standard	HTTPS, SSL, TCP/IP, UDP, HTTP, IPv4, UPnP, RTSP, RTMP, SMTP, NTP, DHCP, DNS, DDNS, FTP, P2P
Maximal User Access	20 users (1 admin account & 19 user accounts); support up to 12 simultaneous video streams (10 substreams & 2 mainstreams)
Smart Home	Google Assistant
Working Environment	
Temperature	Operating temperature: -10°C - +55°C (14°F - 131°F)
Humidity	Operating humidity: 10% - 90%
Waterproof	IP67
Size & Weight	

Dimensions	Φ186*67mm
Weight	415g
Warranty	
Limited Warranty	2-year limited warranty. For support, visit https://support.reolink.com/hc/en-us/

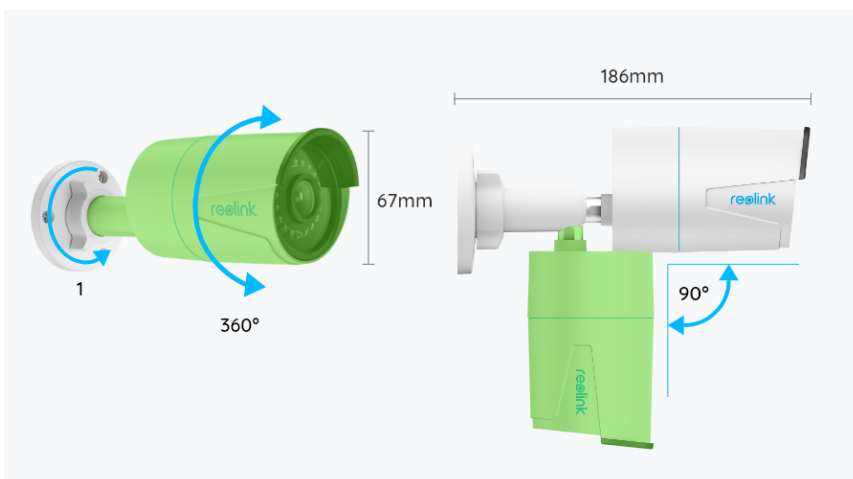
Gallery & Specs



1. Mount
2. Metal Aluminum Case
3. 18 IR LEDs
4. High Definition Lens (f=4.0mm)
5. Daylight Sensor



1. Power
2. Reset Button
3. Network
4. Waterproof Lid



1. Unscrew it (counterclockwise) to loosen the bracket and adjust the camera in any direction.
2. After adjustment, twist it back to fix the camera.

