

TIMETRAX™ SYNC RF WIRELESS DIGITAL CLOCK

Installation Instructions

SIMPLE : SMART™

OVERVIEW

Thank you for choosing a TimeTrax™ Sync RF Wireless Clock System. The TimeTrax™ RF Wireless Clock System receives dependable, accurate time from the TimeTrax™ Sync RF Wireless Transmitter.

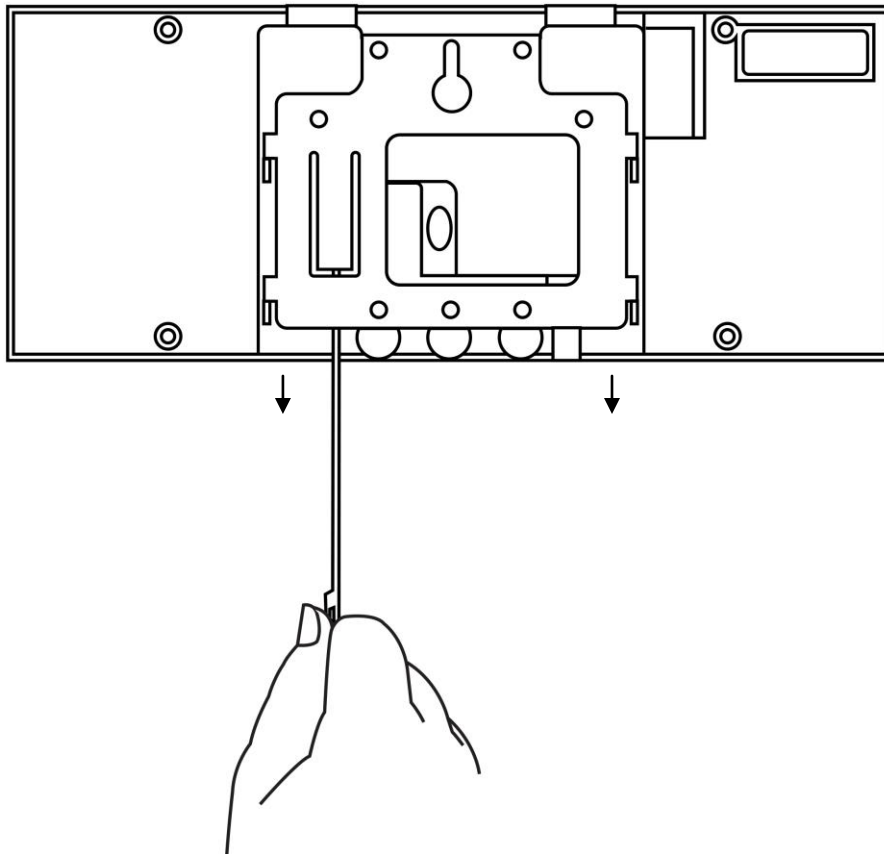
IMPORTANT: Prior to clock installation, install TimeTrax™ Sync RF Wireless Transmitter and complete software set-up (part #9T1WI or S9DWXSLAUB sold separately).

IMPORTANT: WIRING SHOULD BE COMPLETED PER ELECTRICAL CODE AND PERFORMED BY A LICENSED ELECTRICIAN. Before clock installation, please remove security bracket from back of clock (see instructions below).

For more information, visit pyramidthimesystems.com or call our technical support team at 888.479.7264 during regular business hours: 8am-5pm EST, M-F.

SECURITY BRACKET REMOVAL

- ① Prior to installation, detach metal security bracket from clock by inserting included release key into slot located on back of clock.
- ② Push key all the way into slot. Key will slide easily until some resistance from locking tab is felt.
- ③ With key fully engaged, slide the security bracket down and off of the clock.



TIMETRAX™ SYNC RF WIRELESS DIGITAL CLOCK

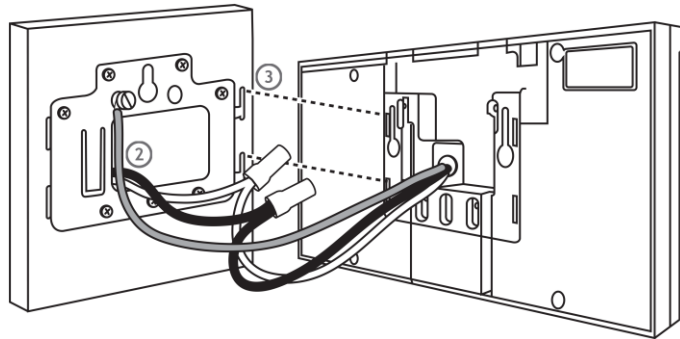
Installation Instructions (cont.)

SIMPLE : SMART™

WIRED MODELS

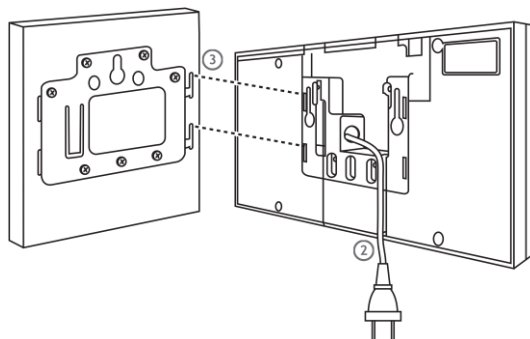
WIRING SHOULD BE COMPLETED BY A LICENSED ELECTRICIAN AND IN COMPLIANCE WITH ELECTRICAL CODE.

- ① Install metal security bracket onto a standard electrical box.
- ② Make electrical connections. *This should only be performed by a licensed electrician.*
- ③ Push clock onto security bracket aligning four tabs on bracket with four matching slots on back of terminal. Slide clock downward until locking tab clicks into place. When properly mounted, clock cannot be slid up and off bracket without using included wall bracket release key to disengage locking tab.
- ④ Upon power up, clock will initially display 88:88:88. Clock will synchronize to the RF Wireless Transmitter immediately upon receiving a radio signal (typically 1-2 minutes).



CORD MODELS

- ① Install metal security bracket onto a standard electrical box, or if not using electrical box, hold security bracket flush against wall, level & mark four screw holes close to corner tabs. Drill holes as marked and secure bracket to wall using provided screws and wall anchors.
- ② Feed cord through channel located at bottom of clock.
- ③ Hang clock on security bracket (see step 3 above).
- ④ Plug clock into standard electrical wall outlet. Upon power up, clock will initially display 88:88:88. Clock will synchronize to the RF Wireless Transmitter immediately upon receiving a radio signal (typically 1-2 minutes).



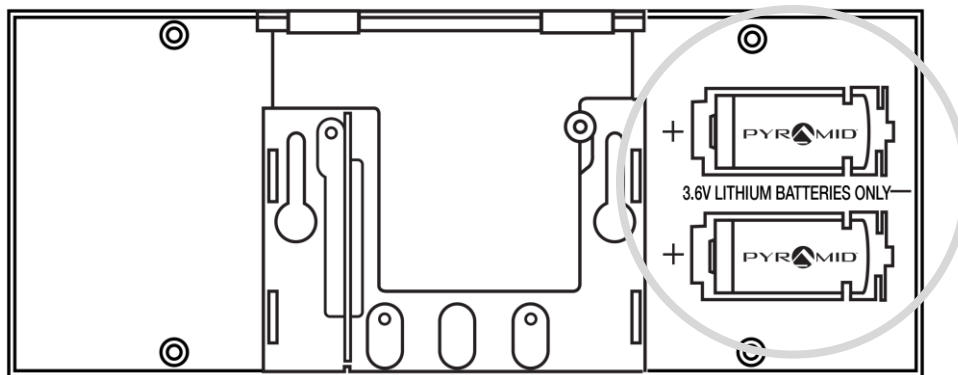
TIMETRAX™ SYNC RF WIRELESS DIGITAL CLOCK

Installation Instructions (cont.)

SIMPLE : SMART™

BATTERY MODELS (LCD)

- ① Install metal security bracket onto a standard electrical box, or if not using electrical box, hold security bracket flush against wall, level & mark four screw holes close to corner tabs. Drill holes as marked and secure bracket to wall using provided screws and wall anchors.
- ② Install two lithium C size batteries (part #42224 sold separately) into compartment on back of clock. Clock will initially display **BB:BB:BB.**. Clock will synchronize to the RF Wireless Transmitter immediately upon receiving a radio signal (typically 1-2 minutes).
- ③ Push clock onto security bracket aligning four tabs on bracket with four matching slots on back of terminal. Slide clock downward until locking tab clicks into place. When properly mounted, clock cannot be slid up and off bracket without using included wall bracket release key to disengage locking tab (see page 2 for diagram).



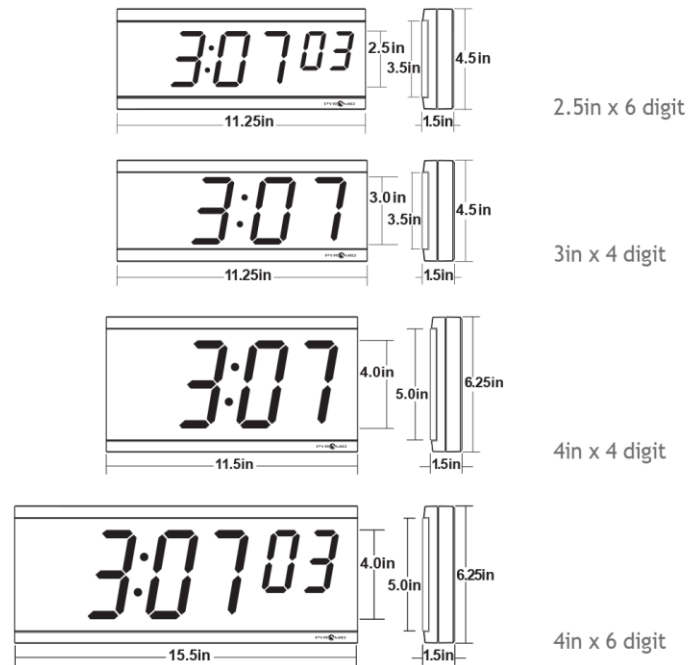
TIMETRAX™ SYNC RF WIRELESS DIGITAL CLOCK

Installation Instructions (cont.)

SIMPLE : SMART™

SPECIFICATIONS

Time Base	Microprocessor		
	AC POWER & CORD	LCD BATTERY	
Time Update Frequency	Every 20 seconds	Every 24 Hours (2am)	
Method	902-928 MHz frequency-hopping technology		
	FLYING LEAD	CORD	LCD BATTERY
Power Input	105/240 VAC or 24/36 VAC/VDC	105-120 VAC	(2) 3.6 Volt Lithium Batteries
Average Power Consumption	5.1 Watts	5.7 Watts	5 Years (typical)
Operating Temp	-30° F (-34.44° C) to 130° F (54.44° C)		
Warranty	3-Year manufacturer's limited warranty		
Guarantee	30-Day money back guarantee		
Compliance	FCC part 15 section 15,247 FCC ID#WC7H9ALG1		
Includes	Security mounting bracket & key, wall mounting template, security mounting bracket template		
DISPLAY			
Display Format	12 or 24 hour mode		
Digits	7 segment LED digits (Flying Lead & Cord) 7 segment LCD digits (LCD Battery Operated)		
Visibility	75ft (22.85m) 2.5in LCD digit height 100ft (30.5m) 2.5in LED digit height 200ft (60.96m) 3in LED digit height 250ft (76.05m) 4in LED digit height		
LED Color	Red		
LCD Color	Black		
CASE			
Case	Smooth surface 94VO/5VA ABS		
Bezel Color	Black or Silver (LCD Black only)		
Lens	Shatterproof, side molded, polished polycarbonate crystal		
Mounting	Wall, Dual Wall, Dual Ceiling		
CHARACTER HEIGHT/DIGITS	WEIGHT	DIMENSIONS (WXHxD)	
2.5in/6-digit	1.5lbs (0.680kg)	11.25in x 4.5in x 1.5in (28.25cm x 11.5cm x 3.75cm)	
3in/4-digit	1.5lbs (0.680kg)	11.25in x 4.5inx1.5in	
4in/4-digit	1.9lbs (0.861kg)	11.5in x 6.25in x 1.5in (29cm x 15.75cm x 3.75cm)	
4in/6-digit	2.3lbs (1.043kg)	15.5in x 6.25in x 1.5in (39cm x 15.75cm x 3.75cm)	



TIMETRAX™ SYNC RF WIRELESS DIGITAL CLOCK

Installation Instructions (cont.)

SIMPLE : SMART™

ACCESSORIES

PART#	DESCRIPTION
S9DWXLAUB*	Ethernet Wireless RF Transmitter, wall mount (includes software)
9T1WJ*	Ethernet Wireless RF Transmitter, shelf mount (includes software)
42337	Ethernet Wireless RF Transmitter, wall mount (secondary, no software)
S9DSXOLAUB	Ethernet Wireless RF Transmitter, shelf mount (secondary, no software)
42321	Dual Digital Clock Wall Bracket (3x4/2.5x6/4x4)
42422	Dual Digital Clock Wall Bracket (4x6)
42443	Dual Analog & Digital Ceiling Bracket
42316	4in x 6 digit Digital Clock Chrome Wire Guard
42400	4in x 4 digit Digital Clock Chrome Wire Guard
42401	2.5in x 6 digit Digital Clock Chrome Wire Guard
42689	Digital Clock Wash-Down Enclosure
42247	Digital Security Mount Replacement
42281	Wall Clock Security Mount Replacement Key

- Either part number required for clock synchronization.

WARRANTY

3-YEAR LIMITED WARRANTY

Pyramid warrants its Synchronized Clock System to the original user against defective material or workmanship for a period of 3 years from date of purchase.

The manufacturer's responsibility under this Warranty is limited to repair or replacement of defective part or parts. Pyramid reserves the right to determine whether parts failed because of defective material, workmanship, or other causes. Failure caused by accident, alteration, misuse or improper packaging of returned unit is not covered by this Warranty. Any repair to equipment other than by Pyramid voids the Warranty. Users in territories other than USA, Canada, South America & Australia should contact the Dealer from whom the unit was purchased. The rights under this Warranty are limited to original user and may not be transferred to subsequent users.

If Customer Support cannot troubleshoot your problem over the phone, we will replace your unit free of charge if it is within warranty period. Please contact Customer Support at 888.479.7264 between the hours of 8am-5pmEST for details.

TECHNICAL SUPPORT

Should you need to speak live to one our representatives, please call toll-free (US/Canada) at 888.479.7264 during regular business hours: 8am-5pmEST, Monday-Friday.