

TIMETRAX SYNC™ COUNT UP/COUNTDOWN DIGITAL TIMER CONTROLLER

Models CTPLATEBUZ/CBPLATEBUZ Instructions

SIMPLE : SMART™

OVERVIEW

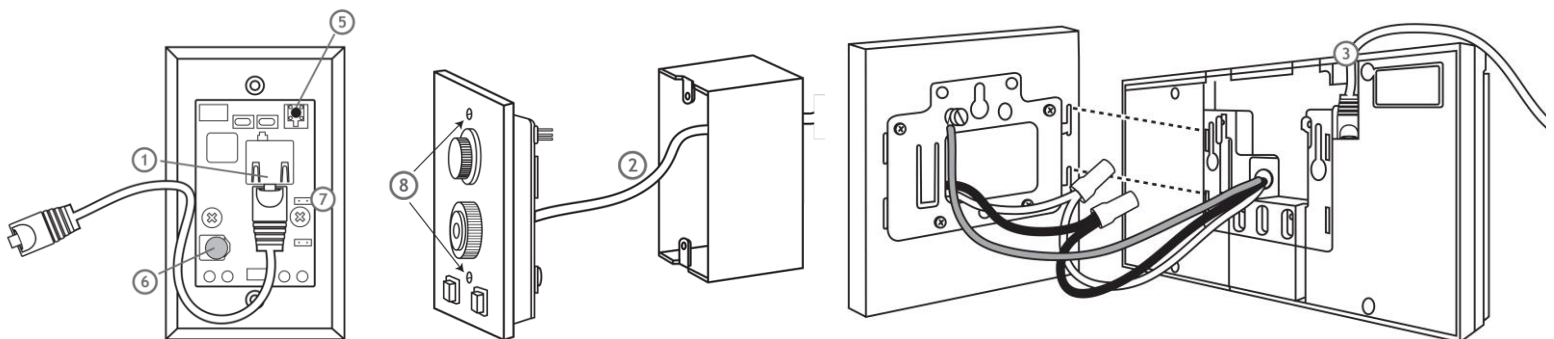
The *TimeTrax Sync™ Count Up/Down or Code Blue Controller* is used in conjunction with a *TimeTrax Sync™ Digital Timer* (sold separately) to monitor elapsed or remaining time during critical events, educational testing/instruction, manufacturing processes, lab testing, recreational activities, seminars, transportation depot applications, broadcasting and other time-sensitive events. Features include a Start/Pause button to start or stop counting function. A built-in buzzer signals the user when timer reaches zero in countdown mode.

Use Count Up/Countdown or Code Blue Controller with any of the following *TimeTrax Sync™ Digital Timer* models: 9D26BRCT, S9D2R6CALC, S9D4R6CALB, S9D2B6CALB, S9D2R6CAUB, S9D4R6CAUB, S9D2B6CAUB, S9D4B6CAUB. *TimeTrax Sync™ Digital Timers* may also be used in conjunction with a *TimeTrax Sync™ RF Wireless Transmitter* to receive accurate, official time signal.



INSTALLATION

- 1 Connect RJ45 cable into port located in compartment on back of Controller switch plate.
- 2 Route the RJ45 cable through standard single gang electrical box (not included). Pull cable through wall cavity and out to digital timer installation location.
- 3 Plug other end of RJ45 cable into port located in compartment on back of *TimeTrax Sync™ Digital Timer* (sold separately). The Controller switch plate is able to control more than one Digital Timer.*
- 4 Wire TimeTrax Sync™ Digital Timer according to installation instructions.
CAUTION: 110V CLOCK WIRING SHOULD BE COMPLETED PER ELECTRICAL CODE AND PERFORMED BY A LICENSED ELECTRICIAN.
- 5 Before mounting controller switch plate to electrical box, push the buzzer volume test button located on the back of switch plate in the top right hand corner.
- 6 To increase buzzer volume, turn blue volume control button clockwise using a flathead screwdriver. To decrease buzzer volume or deactivate buzzer, turn blue volume button counter clockwise.
- 7 To enable “pulsating” buzzer sound, remove jumper from J2 and install jumper on J1.
- 8 Mount Controller switch plate to electrical box using two screws provided.



*Use RJ45 Y-Splitter (part no 41270) to daisy chain more than one digital timer.

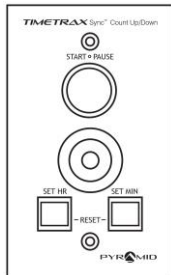
TIMETRAX SYNC™ COUNT UP/COUNTDOWN DIGITAL TIMER CONTROLLER

Models CTPLATEBUZ/CBPLATEBUZ Instructions

SIMPLE & SMART™

COUNT UP MODE OPERATION

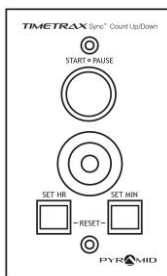
- ① To start COUNT UP, push red **START/PAUSE** button. Timer counts up from 00:00:00 to 99:59:59.
- ② To pause during COUNT UP, push red **START/PAUSE** button. Timer stops counting.
- ③ Push red **START/PAUSE** button again to restart COUNT UP.
- ④ To **RESET**, push **SET HR** and **SET MIN** buttons at same time. The counter displays 88:88:88. If used in conjunction with a TimeTrax Sync™ RF Wireless Transmitter, the timer will display current time.



COUNTDOWN MODE OPERATION

- ① To activate COUNTDOWN, push either **SET HR** or **SET MIN** button. Timer displays 00:00:00.
- ② Push **SET HR** and/or **SET MIN** to change display to desired starting time.
- ③ To start COUNTDOWN, push red **START/PAUSE** button. Timer counts down from desired hours/minutes and buzzer sounds at completion of time interval.
- ④ To pause during COUNTDOWN, push red **START/PAUSE** button. Timer stops counting.
- ⑤ To stop buzzer, push **SET HR** or **SET MIN** button.
- ⑥ Push red **START/PAUSE** button again to restart COUNTDOWN.
- ⑦ To **RESET**, push **SET HR** and **SET MIN** buttons at the same time. The counter displays 88:88:88. If used in conjunction with a TimeTrax Sync™ RF Wireless Transmitter, the timer will display time.

NOTE: In countdown mode, timer will count to negative 99:59:59. Timer will display “-“ symbol for first 10 hours. Display flashes when counting negative.



TIMETRAX SYNC™ COUNT UP/COUNTDOWN DIGITAL TIMER CONTROLLER

Models CTPLATEBUZ/CBPLATEBUZ Instructions

SIMPLE : SMART™

ACCESSORIES

PART#	DESCRIPTION
9D26BRCT	TimeTrax™ Sync Digital Timer, 2.5" x 6 digit, red, black bezel, 105-240V AC
S9D2R6CAL S	TimeTrax™ Sync Digital Timer, 2.5" x 6 digit, red, silver bezel, 105-240V AC
S9D4R6CAL B	TimeTrax™ Sync Digital Timer, 4" x 6 digit, red, black bezel, 105-240V AC
S9D2B6CAL B	TimeTrax™ Sync Digital Timer, 2.5" x 6 digit, blue, black bezel, 105-240V AC
S9D2R6CAUB	TimeTrax™ Sync Digital Timer, 2.5" x 6 digit, red, black bezel, 6' Cord
S9D4R6CAUB	TimeTrax™ Sync Digital Timer, 4" x 6 digit, red, black bezel, 6' Cord
S9D2B6CAUB	TimeTrax™ Sync Digital Timer, 2.5" x 6 digit, blue, black bezel, 6' Cord
SID4B6CAUB	TimeTrax™ Sync Digital Timer, 4" x 6 digit, blue, black bezel, 6' Cord
9T1WI*	TimeTrax™ Sync RF Wireless Transmitter, shelf mount
S9DWXSLAUB*	TimeTrax™ Sync RF Wireless Transmitter, wall mount
42227A-1	RJ45 Cable, 20'
41269	RJ45 Cable, 50'
41314	RJ45 Cable, 100'
41270	RJ45 Y-Splitter Cable

*Required for optional clock synchronization.

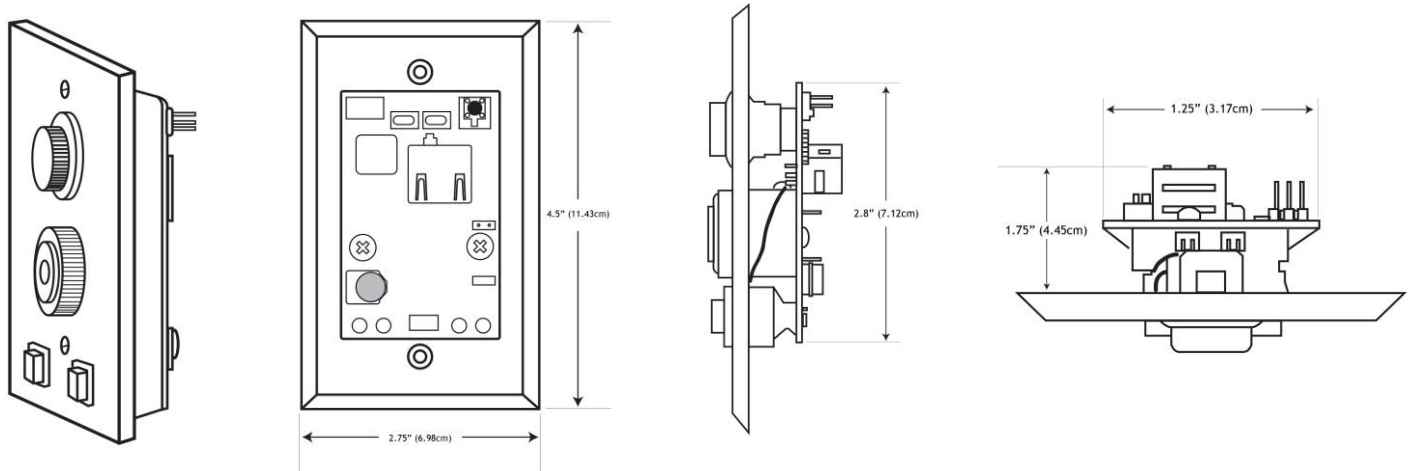
SPECIFICATIONS

COUNT UP	00:00:00 to 99:59:59
COUNT DOWN	Programmable Start Time
DISPLAY FORMAT	Hour:Minute:Second (HH:MM:SS) on 6 digit clock
MOUNTING	Standard single gang box
POWER	Digital Timer Connection Cable (BCD)
FUNCTIONS	Count Up, Start/Stop, Count Down, Reset
FEATURES	Optional Buzzer
DIMENSIONS	2.75"W x 4.5"H x 1.75"D
WEIGHT	.1875lbs
MATERIAL	Stainless Steel
INCLUDES	Switch Plate, Mounting Screws, 20' RJ45 Cable, Instructions

TIMETRAX SYNC™ COUNT UP/COUNTDOWN DIGITAL TIMER CONTROLLER

Models CTPLATEBUZ/CBPLATEBUZ Instructions

SIMPLE & SMART™



WARRANTY

1-YEAR LIMITED WARRANTY

Pyramid warranties this product to the original user against defective material or workmanship for a period of 1 year from date of purchase.

The manufacturer's responsibility under this Warranty is limited to repair or replacement of defective part or parts. Pyramid reserves the right to determine whether parts failed because of defective material, workmanship, or other causes. Failure caused by accident, alteration, misuse or improper packaging of returned unit is not covered by this Warranty. Any repair to equipment other than by Pyramid voids the Warranty. Users in territories other than USA, Canada, South America & Australia should contact the Dealer from whom the unit was purchased. The rights under this Warranty are limited to original user and may not be transferred to subsequent users.

If Customer Support cannot troubleshoot your problem over the phone, we will replace your unit free of charge if it is within warranty period. Please contact Customer Support at 888.479.7264 Ext 1 between the hours of 8am-5pmEST for details.

TECHNICAL SUPPORT

Should you need to speak live to one our representatives, please call toll-free (US/Canada) at 888.479.7264 Ext 1 during regular business hours: 8am-5pmEST, M-F, or email customersupport@ptitime.com.