

TIMETRAX™ SYNC RF WIRELESS ANALOG CLOCK

Installation Instructions

SIMPLE : SMART™

OVERVIEW

Thank you for choosing a TimeTrax™ Sync RF Wireless Clock System. The TimeTrax™ RF Wireless Clock System receives dependable, accurate time from the TimeTrax™ Sync RF Wireless Transmitter.

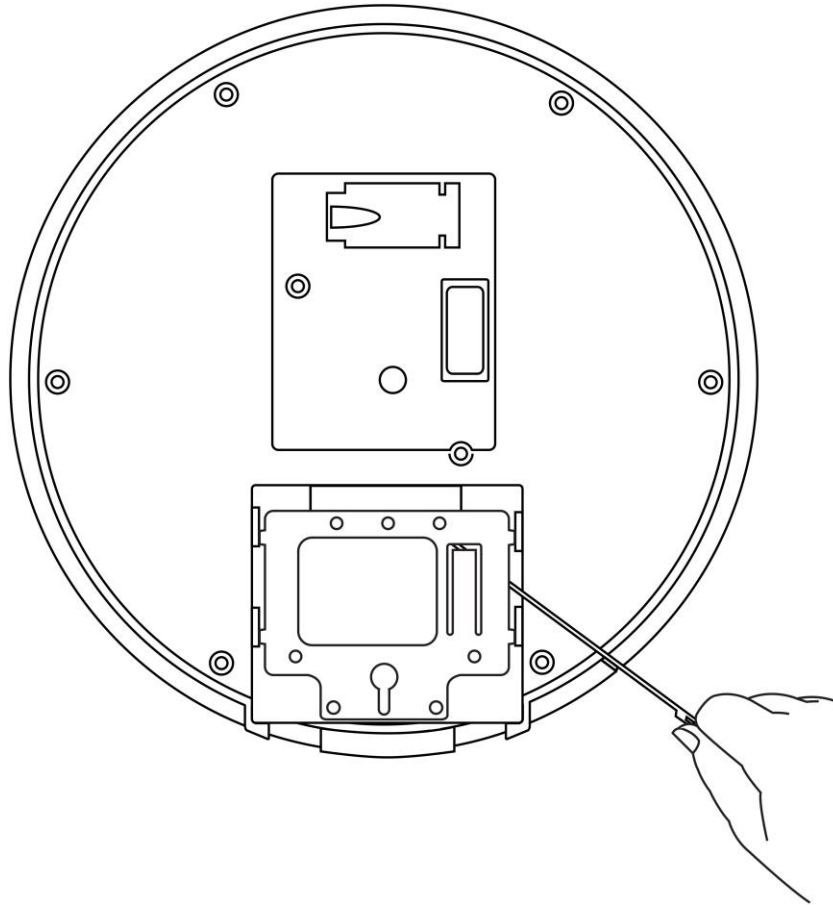
IMPORTANT: Prior to clock installation, install TimeTrax™ Sync RF Wireless Transmitter and complete software set-up (part #9T1WI or S9DWXSLAUB sold separately).

IMPORTANT: WIRING SHOULD BE COMPLETED PER ELECTRICAL CODE AND PERFORMED BY A LICENSED ELECTRICIAN. Before clock installation, please remove security bracket from back of clock (see instructions below).

For more information, visit pyramidthimesystems.com or call our technical support team at **888.479.7264** during regular business hours: **8am-5pm EST, M-F.**

SECURITY BRACKET REMOVAL

- ① Prior to installation, detach metal security bracket from clock by inserting included release key into slot located on back of clock.
- ② Push key all the way into slot. Key will slide easily until some resistance from locking tab is felt.
- ③ With key fully engaged, slide the security bracket up and off of the clock.



TIMETRAX™ SYNC RF WIRELESS ANALOG CLOCK

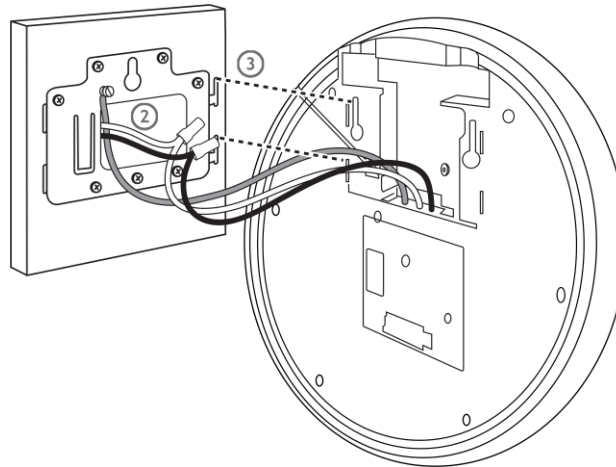
Installation Instructions (cont.)

SIMPLE : SMART™

WIRED MODELS

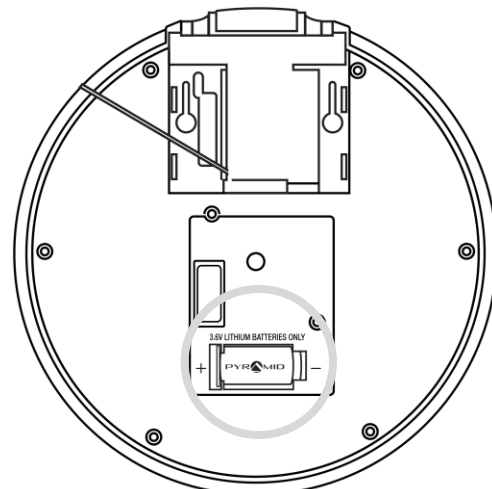
WIRING SHOULD BE COMPLETED BY A LICENSED ELECTRICIAN AND IN COMPLIANCE WITH ELECTRICAL CODE.

- ① Install metal security bracket onto a standard electrical box.
- ② Make electrical connections. *This should only be performed by a licensed electrician.*
- ③ Push clock onto security bracket aligning four tabs on bracket with four matching slots on back of terminal. Slide clock downward until locking tab clicks into place. When properly mounted, clock cannot be slid up and off bracket without using included wall bracket release key to disengage locking tab.
- ④ Upon power up, clock will initially hone itself to 12:00. Clock will synchronize to the RF Wireless Transmitter immediately upon receiving a radio signal (typically 1-2 minutes).



BATTERY OPERATED MODELS

- ① Install one lithium C size battery (part #42224 sold separately) into compartment on back of clock. Clock will initially hone itself to 12:00. Clock will synchronize to the RF Wireless Transmitter immediately upon receiving a radio signal (typically 1-2 minutes).
- ② Hang clock on security bracket (see steps 1&3 above).



TIMETRAX™ SYNC WIRELESS RF ANALOG CLOCK

Installation Instructions (cont.)

SIMPLE : SMART™

SPECIFICATIONS

Time Base	Microprocessor	
Time Update Frequency	Every 20 seconds (wired) Every 24 hours (2am) (battery-operated)	
Method	902-928 MHz (frequency-hopping technology)	
	BATTERY	AC POWER 120/240 AC
Power Input	3.6 Volt Lithium	105-265V AC 50/60Hz
Average Power Consumption	N/A	0.066 Watts
Operating Temp	-30° F (-34.44° C) to 130° F (54.44° C)	
Warranty	3-Year manufacturer's limited warranty	
Guarantee	30-Day money back guarantee	
Compliance	IEEE 802.3af/ANSI X3.263	
Includes	Security mounting bracket & key, wall mounting template, security mounting bracket template	
	ABS	WOOD
Display	12 Hour, 12 Hour w/seconds, 12/24 Hour or Custom Face	12 Hour, Roman Numeral
Case	Smooth surface 94VO/5VA ABS (black, silver or taupe finish)	Cherry, Oak or Walnut Hardwood (stain & polyurethane)
Face	Double opaque styrene	
Lens	Shatterproof, side molded, polished polycarbonate crystal	
Mounting	Wall & Dual Wall or Ceiling (ABS bezel)	
SIZE/MATERIAL	WEIGHT	DIMENSIONS
13in ABS Bezel	2.8lbs (1.3kg)	13.25in x 2.5in (33.7cm x 6.5cm)
17in ABS Bezel	4.1lbs (1.9kg)	17in x 2.5in (43cm x 6.5cm)
16in Wood Bezel	5.5lbs (2.5kg)	16.5in x 2.4in (42cm x 6.4cm)
20in Wood Bezel	8.1lbs (3.8kg)	20.25in x 2.4in (51.1cm x 6.4cm)

TIMETRAX™ SYNC WIRELESS RF ANALOG CLOCK Installation Instructions (cont.)

SIMPLE ⚙️ SMART™

ACCESSORIES

PART#	DESCRIPTION
SASDLCWDXX*	TimeTrax™ Sync Software
APOEPI	Ethernet Port Injector & 6ft power cable
42227-1	20ft Category 5E Ethernet Cable
42320	Dual 13in Analog Clock Wall Bracket
42443	Dual Analog & Digital Ceiling Bracket
42314	13in Analog Chrome Wire Guard
42315	17in Analog Clock Chrome Wire Guard
42690	13in Analog Clock Wash Down Enclosure
42606	Analog Security Mount Replacement
42281	Wall Clock Security Mount Replacement Key

*Required for clock synchronization.

WARRANTY

3-YEAR LIMITED WARRANTY

Pyramid warrants its Synchronized Clock System to the original user against defective material or workmanship for a period of 3 years from date of purchase.

The manufacturer's responsibility under this Warranty is limited to repair or replacement of defective part or parts. Pyramid reserves the right to determine whether parts failed because of defective material, workmanship, or other causes. Failure caused by accident, alteration, misuse or improper packaging of returned unit is not covered by this Warranty. Any repair to equipment other than by Pyramid voids the Warranty. Users in territories other than USA, Canada, South America & Australia should contact the Dealer from whom the unit was purchased. The rights under this Warranty are limited to original user and may not be transferred to subsequent users.

If Customer Support cannot troubleshoot your problem over the phone, we will replace your unit free of charge if it is within warranty period. Please contact Customer Support at 888.479.7264 between the hours of 8am-5pmEST for details.

TECHNICAL SUPPORT

Should you need to speak live to one our representatives, please call toll-free (US/Canada) at 888.479.7264 during regular business hours: 8am-5pmEST, Monday-Friday.