

# TIMETRAX™ SYNC DUAL 13in ANALOG CLOCK WALL BRACKET

## Installation Instructions 42320

SIMPLE : SMART™

### OVERVIEW

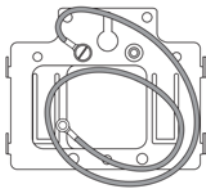
Thank you for choosing a TimeTrax™ Sync Dual Analog Clock Wall Bracket (42320). This bracket kit is used to wall-mount two TimeTrax™ Sync 13in analog wall clocks back to back, allowing visibility from two directions in a hallway or expansive area.

The anti-theft security brackets (included) provide quick installation to the dual clock wall-mount kit. The dual clock bracket features two wire chases making it easy to run and conceal clock wiring to an electrical work box (bracket mounting plate fits a standard 4in x 4in electrical work box).

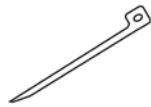
**IMPORTANT: WIRING SHOULD BE COMPLETED PER ELECTRICAL CODE AND PERFORMED BY A LICENSED ELECTRICIAN.**

For more information, visit [pyramiddtimesystems.com](http://pyramiddtimesystems.com) or call our technical support team at 888.479.7264 during regular business hours: 8am-5pm EST, M-F.

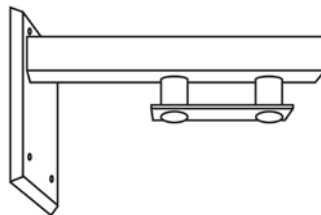
### KIT CONTENTS



Dual Security Bracket



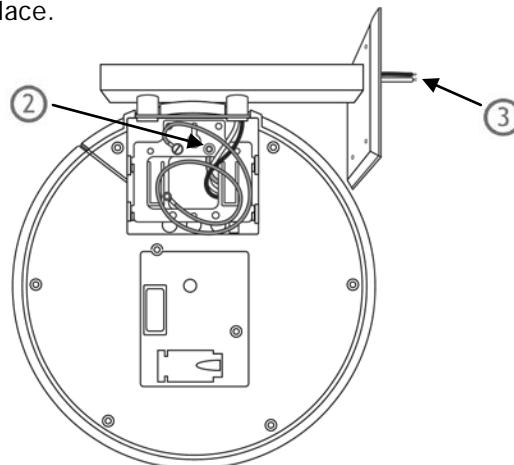
Security Bracket Release Key



Dual Clock Wall Bracket

### ASSEMBLY/INSTALLATION

- 1 Place one analog clock face down on flat surface. Position the Dual Clock Wall Bracket so that the flange and wiring chase tubes sit within the corresponding cavity on the back of the clock. If using bracket with battery operated analog clock, skip ahead to part two of step four.
- 2 Connect green wire from clock to the available grounding screw located on the Dual Security Bracket.
- 3 Route black and white wires through wire chase tube until they exit the opposite end of the bracket.
- 4 Tuck all wires inside wire housing cavity on back of clock and connect Dual Security Bracket to clock by aligning four tabs on bracket with the four matching slots on back of clock. Slide the security bracket upward until bracket locks into place.



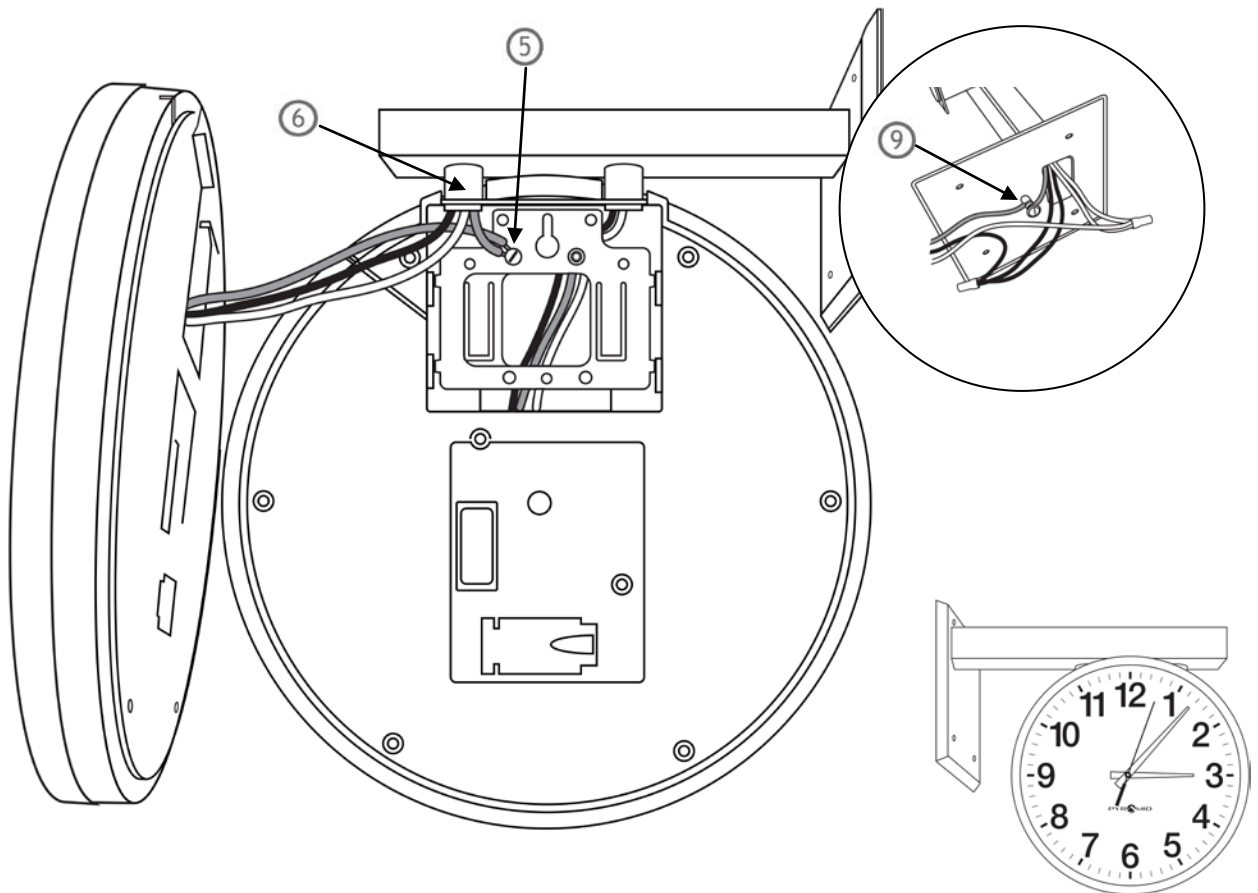
# TIMETRAX™ SYNC DUAL 13in ANALOG CLOCK WALL BRACKET

## Installation Instructions 42320

SIMPLE : SMART™

### ASSEMBLY/INSTALLATION (cont.)

- ⑤ Connect the green wire from the second clock to the grounding screw on the opposite side of the bracket.
- ⑥ Route the black and white wires from the second clock, along with the pre-connected green grounding wire into the remaining wire chase tube until they exit the opposite end of the bracket.
- ⑦ Position the clocks back to back while tucking the wires of the second clock into wire housing cavity on back of clock.
- ⑧ Align the four slots on back of second clock with the four matching tabs on security bracket. With clocks back to back, push second clock downward onto bracket until it locks into place. Both clocks are now securely attached to the Dual Clock Wall Bracket.
- ⑨ Connect the green grounding wire from the clock assembly and the green grounding wire from electrical work box to the grounding screw located on inside of the Dual Wall Bracket mounting plate.
- ⑩ Wire nut the black wires from both clocks to the line wire from electrical box. Wire nut the white wires from both clocks to the neutral wire from electrical work box. Tuck all wires into the electrical work box.
- ⑪ Attach the clocks and bracket assembly to standard 4in x 4in electrical work box with #6-32 screws (not included).



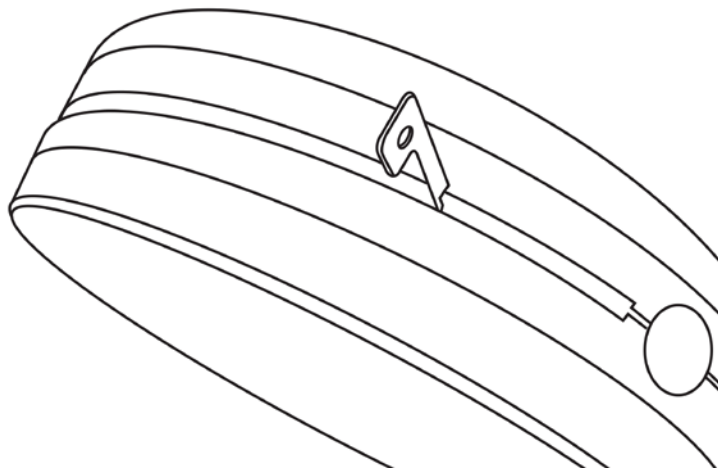
# TIMETRAX™ SYNC DUAL 13in ANALOG CLOCK WALL BRACKET

## Installation Instructions 42320

SIMPLE : SMART™

### REMOVING CLOCKS

- ① To remove clock or clocks from Dual Wall Bracket, insert provided release key into slot located on top/back of either clock.
- ② Push key all the way into slot. Key will slide easily until some resistance from locking tab is felt.
- ③ With key fully engaged, slide the security bracket up and off of the clock.



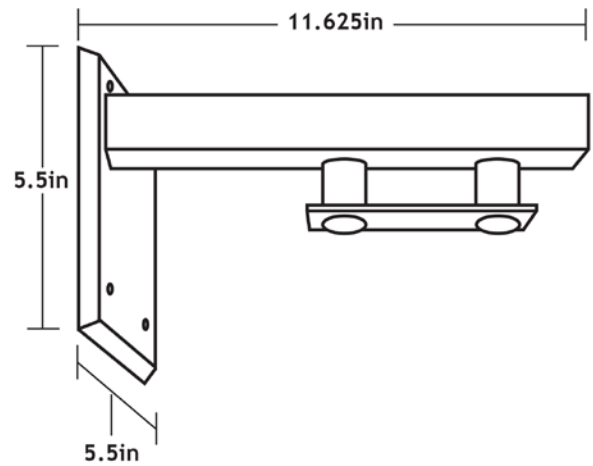
# TIMETRAX™ SYNC DUAL 13in ANALOG CLOCK WALL BRACKET

## Installation Instructions 42320

SIMPLE : SMART™

### SPECIFICATIONS

Construction	Heavy Duty Steel
Finish	Black Powder Coated
Mounting	Wall
Warranty	3-Year manufacturer's limited warranty
Guarantee	30-Day money back guarantee
Includes	Dual Digital Clock Wall Bracket, Double-sided Security Bracket, Release Key
<b>SIZE</b>	
Dimensions	5.5inW x 5.5inH x 11.625inD (13.97cm x 13.97cm x 29.52cm)
Weight	1.95lbs (.884kg)
Shipping Weight	2.75lbs (1.24kg)



### ADDITIONAL CLOCK ACCESSORIES

PART#	DESCRIPTION
42320	Dual Analog Clock Wall Bracket (13in)
42321	Dual Digital Clock Wall Bracket (3x4/2.5x6/4x4)
42422	Dual Digital Clock Wall Bracket (4x6)
42443	Dual Clock Ceiling Bracket
42314	Dual 13in Analog Clock Chrome Wire Guard
42315	Dual 17in Analog Clock Chrome Wire Guard
42316	4in x 6 digit Digital Clock Chrome Wire Guard
42400	4in x 4 digit Digital Clock Chrome Wire Guard
42401	2.5in x 6 digit Digital Clock Chrome Wire Guard
42690	13in Analog Clock Wash Down Enclosure
42689	Digital Clock Wash Down Enclosure
42247	Digital Security Mount Replacement
42281	Wall Clock Security Mount Replacement Key