

Specifications

PFXC1887CP

TWO-HANDLE WALL MOUNT KITCHEN FAUCET



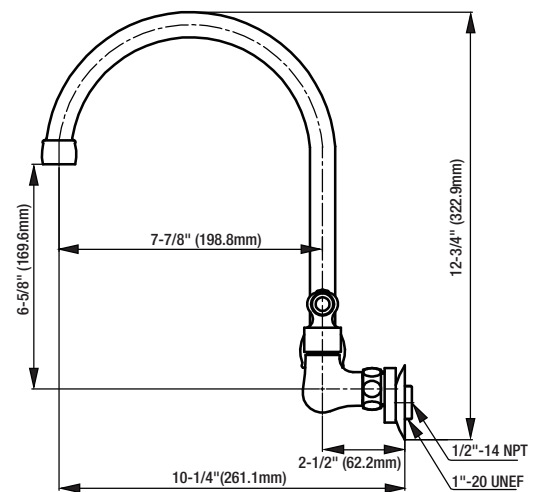
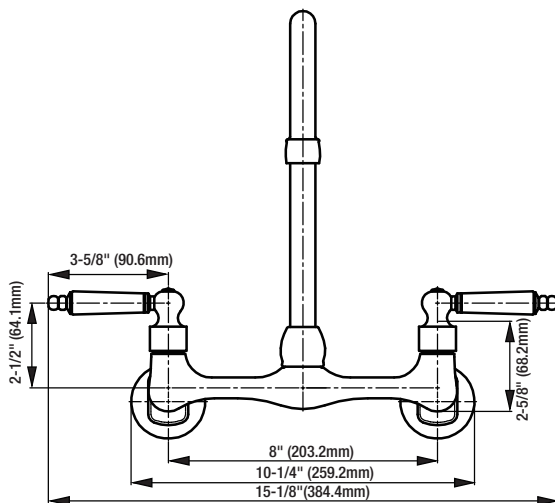
Product Features

- 1/2" IPS inlets
- Adjustable centers from 7" to 9"
- 8" spout
- Polished chrome
- Ceramic disc cartridges
- Metal lever handles
- 1.8 GPM Water saving aerator
- Complies with ASME:A112.18.1
- Certified to NSF 372 requirements
- UPC/IAPMO listed
- ADA Compliant



PFXC1887CP

Product Specifications



NOTE: All dimensions and specifications are nominal and may vary $\pm 1/4"$. Use actual products for accuracy in critical situations.

Warranty and Codes

This product comes complete with installation, operating, care and maintenance instructions. This PROFLO faucet carries a limited lifetime warranty when installed in residential applications. The warranty is five years in commercial applications. This product meets ASME: A112.18.1. *Compliant with lead content requirements of US Senate Bill S.3874

©2022 Ferguson Enterprises, LLC. FG 09/2022



FERGUSON.COM/PROFLO