

PFWSC4957

**Cabarton SINGLE HANDLE
LAVATORY FAUCET**



Product Features

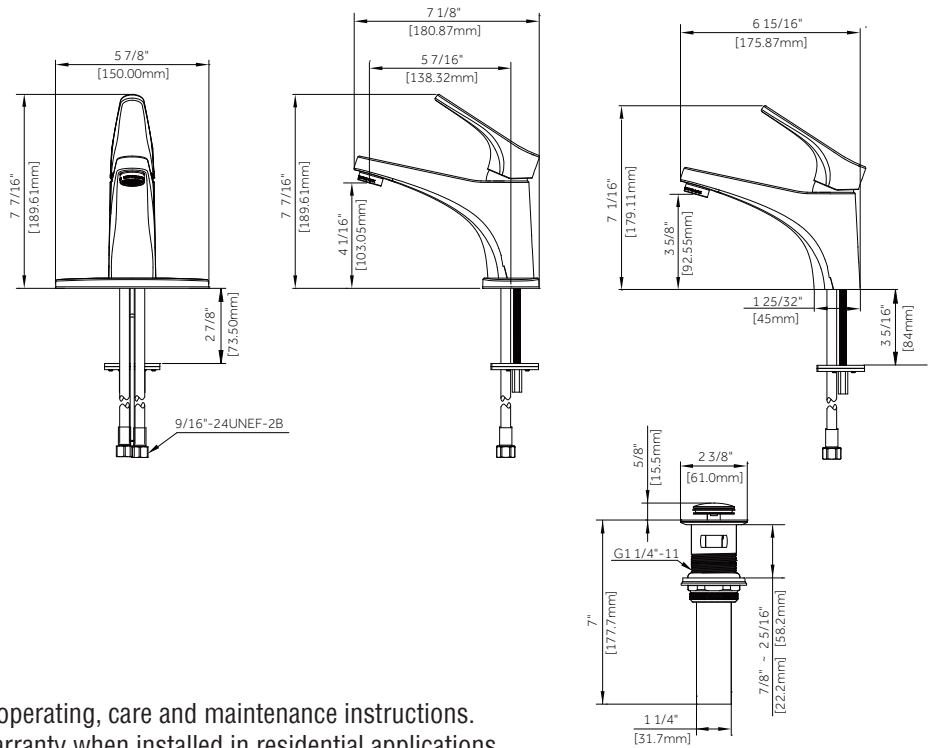
- Max. flow rate: 1.2 gpm at 60 psi
- Metal lever handle
- Ceramic disc cartridge
- With optional deck plate included
- With press pop-up assembly
- Brass construction
- Certified to ASME A112.18.1/CSA B125.1
- cUPC/IAPMO listed
- ADA compliant
- NSF/ANSI/CAN61: $Q \leq 1$
- WaterSense certified



PFWSC4957CP

Model Numbers

- PFWSC4957CP Chrome
- PFWSC4957ZBN Brushed Nickel



Warranty and Codes

This product comes complete with installation, operating, care and maintenance instructions. This PROFLO faucet carries a limited lifetime warranty when installed in residential applications. The warranty is five years in commercial applications.

*Compliant with lead content requirements of California AB 1953.



NSF/ANSI/CAN372
NSF/ANSI/CAN 61-9 Qs1

