

Specifications

PF9810G – KELPER

PRESSURE BALANCE VALVE TRIM



Product Features

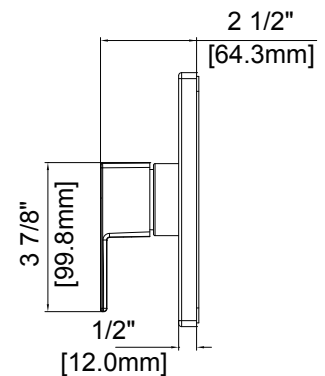
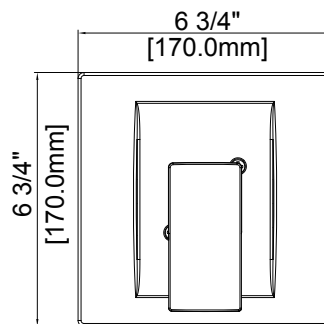
- Metal lever handle
- Required valve - ACCUFIT PF4001 series
- Extension kit available - ACF4001EXT
- Meets: ASME A112.18.1 / CSA B125.1
- cUPC/IAPMO listed
- ADA compliant



PF9810GCP

Model Numbers

PF9810GCP	Chrome
PF9810GZBN	Brushed nickel
PF9810GMB	Matte black



Warranty and Codes

This product comes complete with installation, operating, care and maintenance instructions. This PROFLO faucet carries a limited lifetime warranty when installed in residential applications. The warranty is five years in commercial applications. This product meets ASME: A112.18.1.

