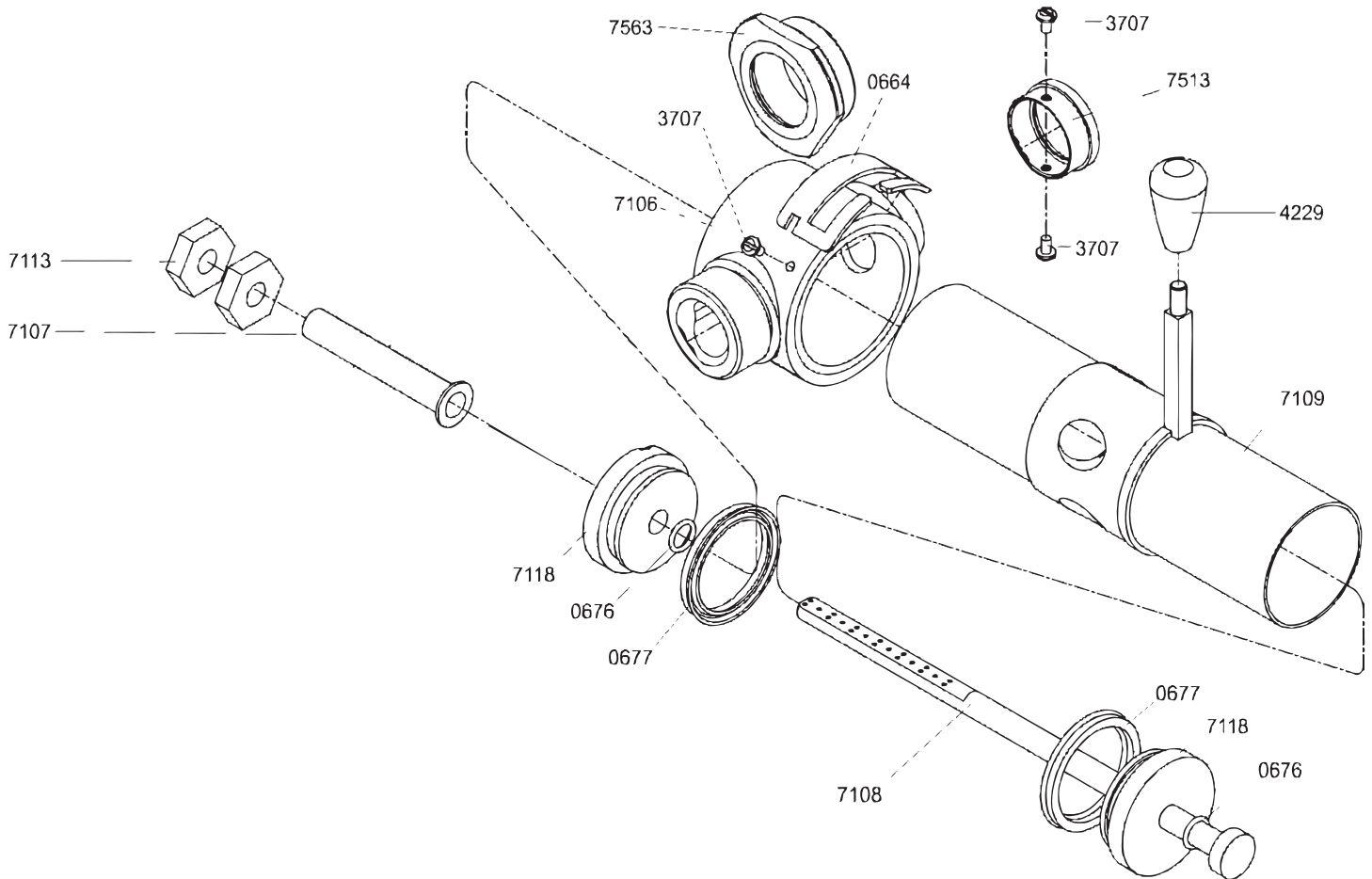


Parts Breakdown

Item 18944



Parts Breakdown

Item 18944

Item No.	Description	Position	Item No.	Description	Position	Item No.	Description	Position
AJ618	Bar 3mm Portion Head Operation Handle-Stop for 18944	0664	AJ619	Aluminum Holder with White Plastic Ring for 18944	7106	AJ624	Portion Head Piston White Plastic for 18944	7118
AJ564	O-Ring Piston/Shaft Int. Diam. 16x3mm for 18944	0676	AJ620	Stainless Steel Tube Pistons-Stop for 18944	7107	AJ625	Separation Ring Locking Nut for 18944	7513
AJ565	Gasket Piston/Cylinder N-80-64-8 for 18944	0677	AJ621	Marks Shaft for Portion Regulation for 18944	7108	AJ626	Locking Nut for Portion Head for 18944	7563
46413	Stainless Steel Screw with Pan Head, M6x8 DIN85 for 18944	3707	AJ622	Cylinder for 18944	7109			
66853	Knob Black Thread M10 80mm for 18944	4229	AJ623	Hexagonal Nut for Portion Regulation for 18944	7113			