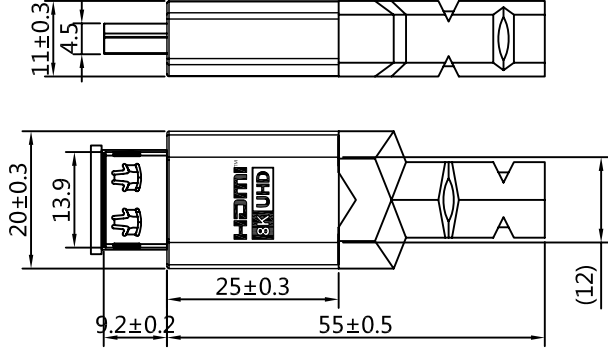
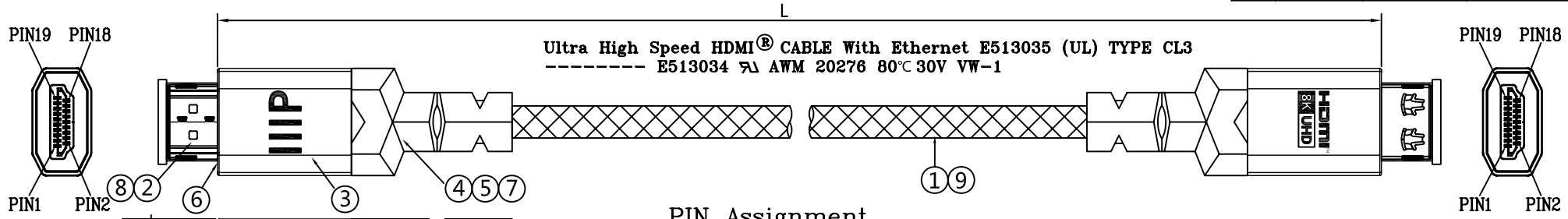
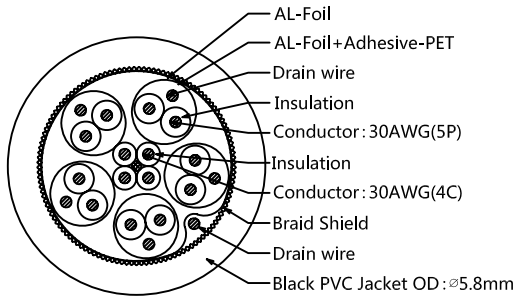
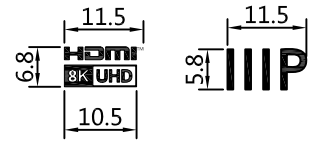
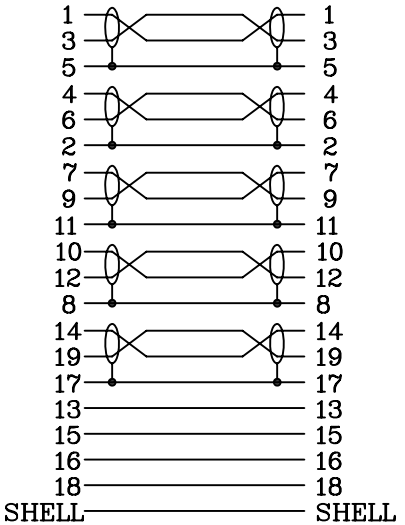


VERSION INFORMATION (Vendor)			
Rev.	Rev. Date	Modified By	Brief Description
V1	2023/06/13	Song	Initial Issue



PIN Assignment



- NOTES:**
- Test Condition:
 - 100% OPEN & SHORT TEST;
 - Insulation Resistance: DC300V 5MΩ(Min) ;
 - Conductor Resistance: 5Ω/Max.
 - Hi-Pot:DC 300V/0.1s.
 - The materials meet ROHS standard.
 - HDTV-DVD TEST:8K@60HZ
 - PASS 48G
 - Prop CAP 65

PID # :	44711	44712
LENGTH (L)	915±20mm(3FT)	1830±30mm(6FT)

NO.	PART NAME	SPECIFICATION DESCRIPTION	QTY	UNIT
⑨	BRAID	Black braid	1	PCS
⑧	Dust Cap	HDMI A Male transparent dust cover	2	PCS
⑦	OVER MOLD	PVC 45P Black	16	g
⑥	OVER MOLD	PVC 35P Red (19-1664 TPX)	10	g
⑤	COPPER FOIL	Copper foil, W6*L30MM	2	PCS
④	INTERNAL MODEL	PE	6	g
③	Shell	HDMI Shell, aluminium alloy,space gray(PMS P 172-14C)	2	PCS
②	CONNECTOR	Lock type HDMI 2.1V AM connector, gold plated, with shielding case	2	PCS
①	CABLE	HDMI UL20276 CABLE [30AWG*1P+D+AL-foil+Adhesive-PET]*5P+30AWG*4C+AL+D+B144/0.12AL-MG Jacket: CL3 Black PVC OD:5.8mm	1	PCS

VENDOR CODE: V16988		DESCRIPTION: 8K Ultra High Speed HDMI Cable black braided, 30AWG	
APPROVED BY PM & DATE		PID # : -	
PM PRINT NAME	DATE : 2023/06/13	UNIT : MM	SHEET: 1 OF 2
		FILE NAME: JXD-HD1326/G/BK/30AWG/WA	