



INSTALLATION GUIDE FOR THE ENVIROMUX-DCVD-xxx DC Voltage Detector

INTRODUCTION

The NTI ENVIROMUX-DCVD-xxx is a DC voltage detection contact sensor which, when connected to an ENVIROMUX-SEMS-16 or ENVIROMUX-MINI, closes when the monitored voltage is in the 26-36VDC range. The contacts will remain closed unless the monitored voltage drops below 24VDC, at which point the contact will open. A 2-wire sensor cable (6 foot cable included), is used to connect to an ENVIROMUX, which can be configured to send alerts based on the presence or lack of DC voltage.

Models available:

ENVIROMUX-DCVD-24V – For use with ENVIROMUX-SEMS-16
 ENVIROMUX-DCVD-24VM – For use with ENVIROMUX-MINI (SEE NOTE BELOW)

Note: The ENVIROMUX-DCVD-24VM is only compatible with ENVIROMUX-MINI units made on or after 11/1/07 (see label on the bottom of your ENVIROMUX-MINI). If your ENVIROMUX-MINI was made prior to 11/1/07, please order model ENVIROMUX-DCVD-24V. Failure to use the correct voltage detector will result in inaccurate alert reports.

Features:

- Monitors the presence of 26-36VDC
- 2-position screw-terminal connection
- Supports 2-wire sensor cable up to 1000 ft¹ (6 foot cable included)
- RoHS

MATERIALS SUPPLIED

- ENVIROMUX-DCVD-xxx Power Monitor (xxx= 24V or 24VM)
- ENVIROMUX-2W-6 (6 foot 2-wire sensor cable)
- Installation Guide

INSTALLATION

Place the ENVIROMUX-DCVD-xxx where it can be plugged into an DC power source (26-36VDC). Connect a 2-wire cable between the terminals on the ENVIROMUX-DCVD-xxx and the “CONTACTS” terminals on the ENVIROMUX-MINI, or the “DIGITAL IN” terminals on the ENVIROMUX-SEMS-16².

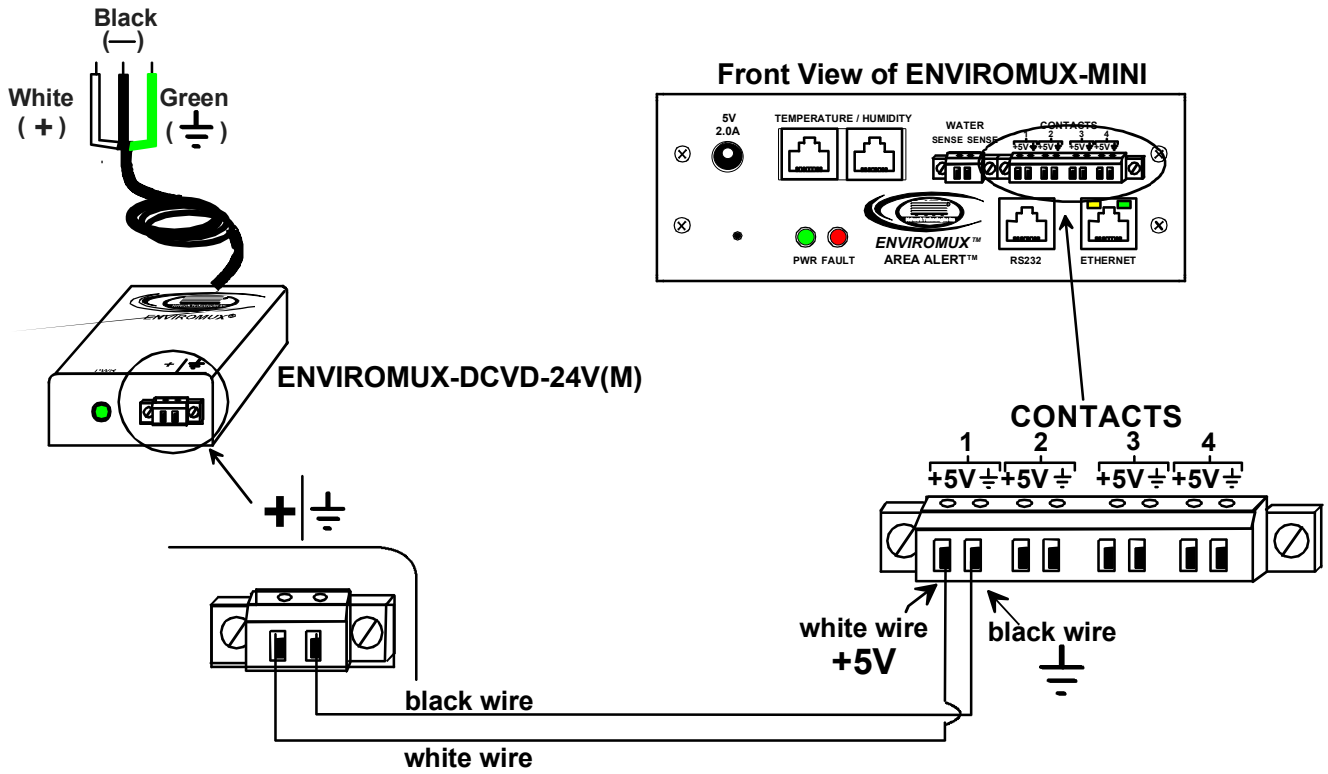
Use the chart below or see images on next page to make proper wire connections:

TERMINAL ON ENVIROMUX-DCVD-xxx	Wire Color		TERMINAL ON ENVIROMUX-MINI	TERMINAL ON ENVIROMUX-SEMS-16
+	White	→	+5V	+
⊥	Black	→	⊥	⊥ ³

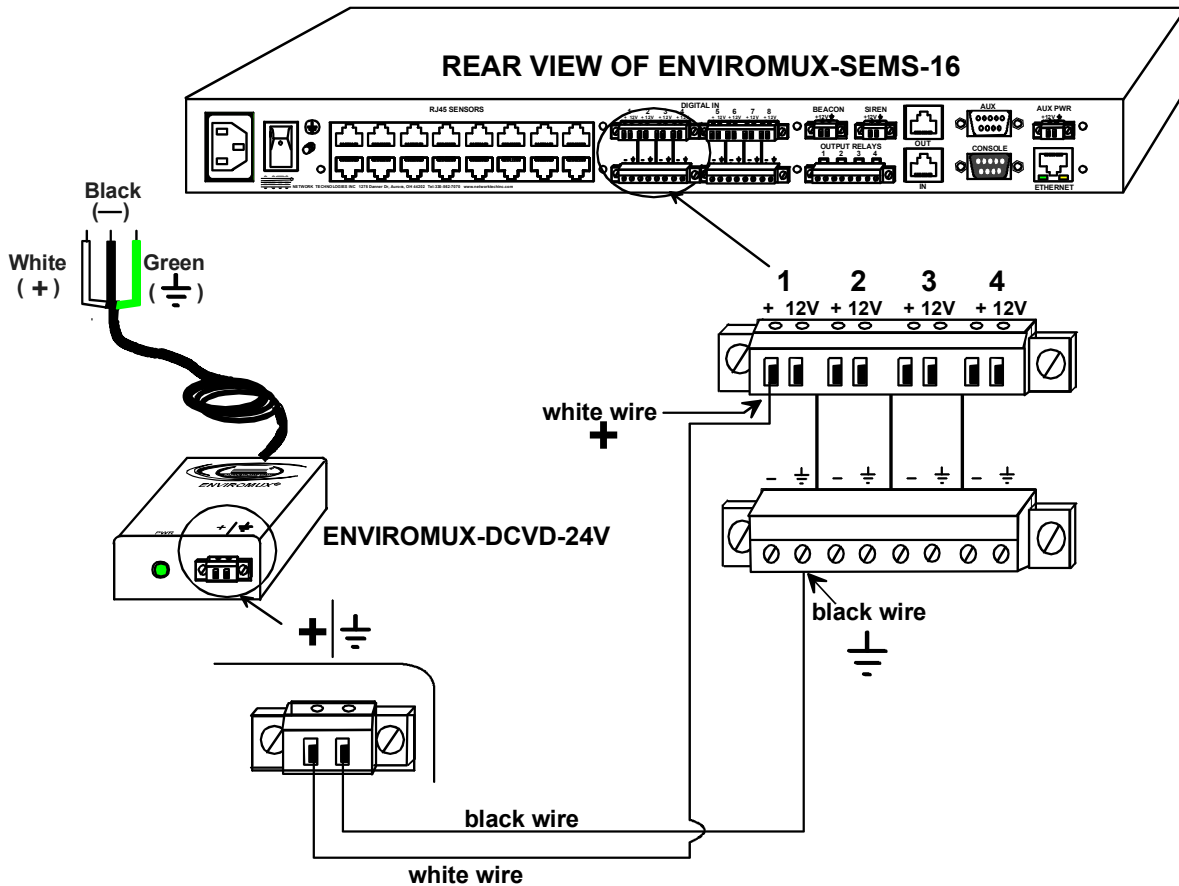
¹ When using 2-wire cables longer than 100 ft, be careful to route cables away from AC wiring, lighting sources, electric motors, or other electrical devices.

² The wire connection terminal blocks are easily removed from the ENVIROMUX-DCVD-xxx, ENVIROMUX-MINI, and ENVIROMUX-SEMS-16 for more convenient wire termination.

³ In the event that the ground terminal is unavailable, the negative terminal (—) has the same potential and can be substituted.



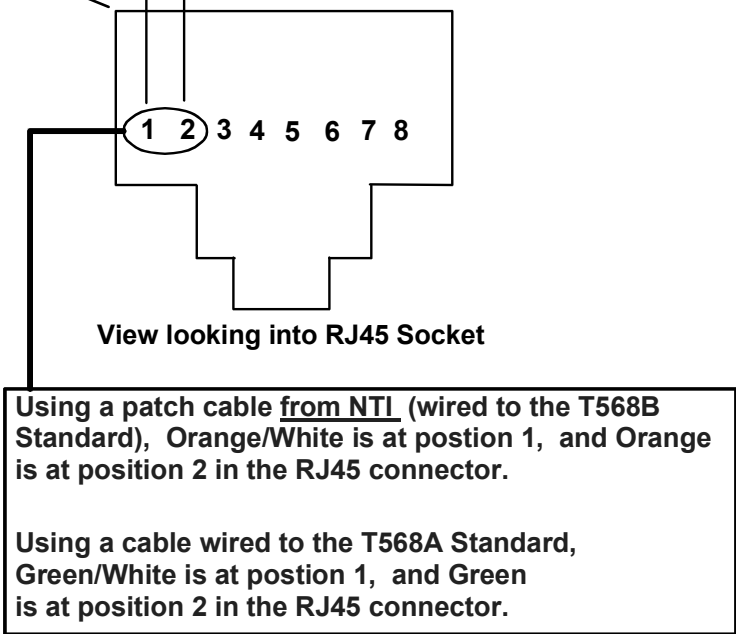
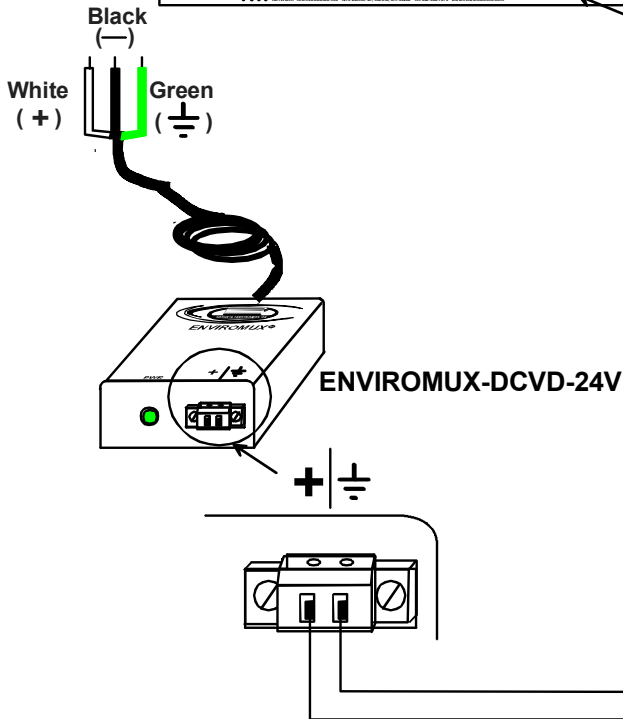
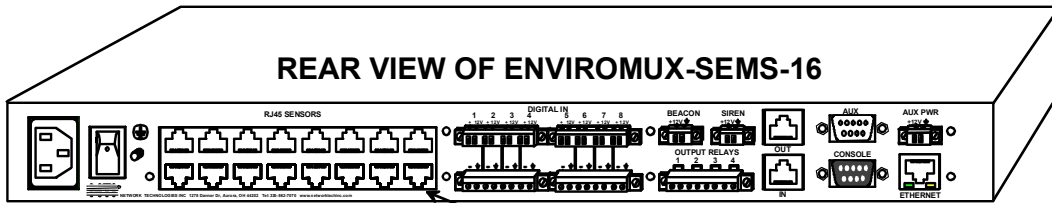
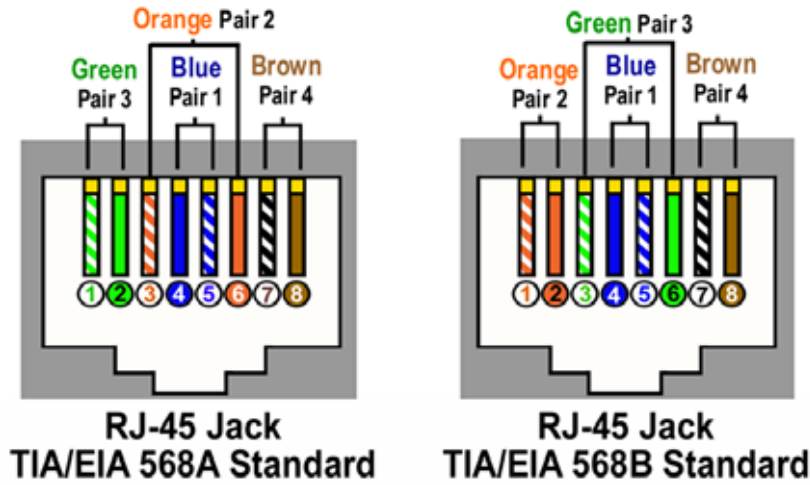
Wire connections for ENVIROMUX-MINI



Wire connections for ENVIROMUX-SEMS-16

The ENVIROMUX-DCVD-xxx can also be connected to the “RJ45 SENSORS” sockets on the ENVIROMUX-SEMS-16. When using a CAT5 patch cable to make connection, you must first determine what wiring standard the cable has been made to. Make connections based on the chart below.

TERMINAL ON ENVIROMUX-DCVD-xxx		RJ45 Socket Pin #	Cable Wire Color (T568A Standard)	Cable Wire color (T568B Standard)
+	→	1	Green	Orange
⊖	→	2	Green/White	Orange/White



Wire connections for ENVIROMUX-SEMS-16 using RJ45 Sensor sockets

OPERATION

The ENVIROMUX-DCVD-xxx is designed to **close** the circuit between the “+” and “ \ominus ” terminals when DC voltage is greater than 26VDC. If the voltage drops below 24VDC, the circuit will **open**. The “PWR” LED on ENVIROMUX-DCVD-xxx will illuminate when the circuit is closed.

The circuit status can be monitored by either the ENVIROMUX-SEMS-16 or the ENVIROMUX-MINI. Each ENVIROMUX can be configured to send alert notifications when the circuit opens or closes. Configuration of the ENVIROMUX-DCVD-xxx is done on the “Digital Input Configuration” page of the ENVIROMUX-SEMS-16 web interface and the “Dry Contact Sensor Configuration” page of the ENVIROMUX-MINI web interface. A sample configuration page from the web interface for each product is shown below.

Please refer to the appropriate section of the ENVIROMUX manual for additional information on the configuration pages. (See ENVIROMUX-SEMS-16 manual pages 27-31 “External Sensor Configuration” and “Contact Sensors”, or ENVIROMUX-MINI manual pages 17-18 “Sensor Management”.)

Configuration page for ENVIROMUX-SEMS-16 (using Digital Inputs)

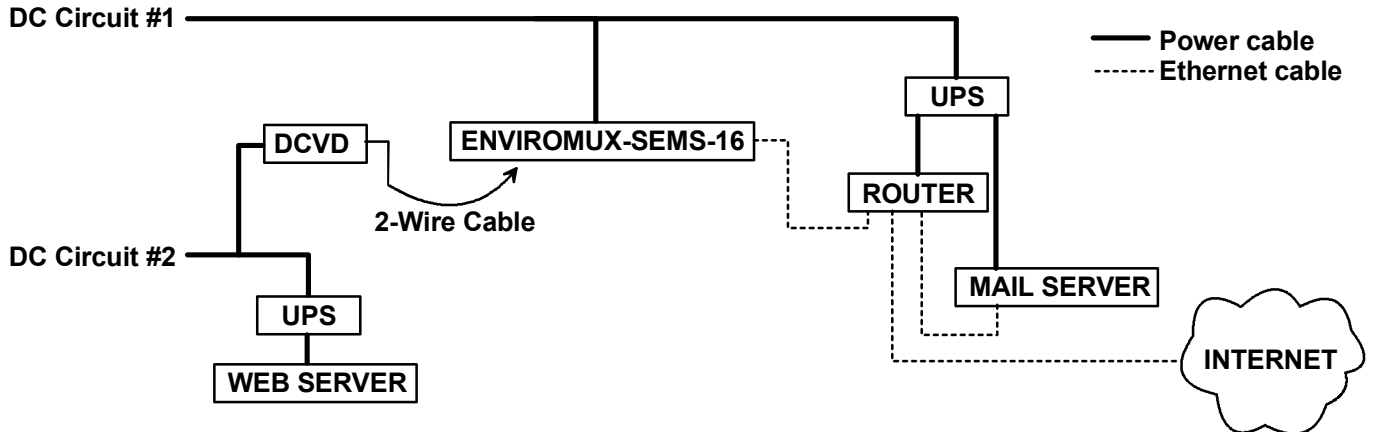
Configuration page for ENVIROMUX-MINI

Configuration page for ENVIROMUX-SEMS-16 (using RJ45 Sensor Inputs)

INSTALLATION NOTES

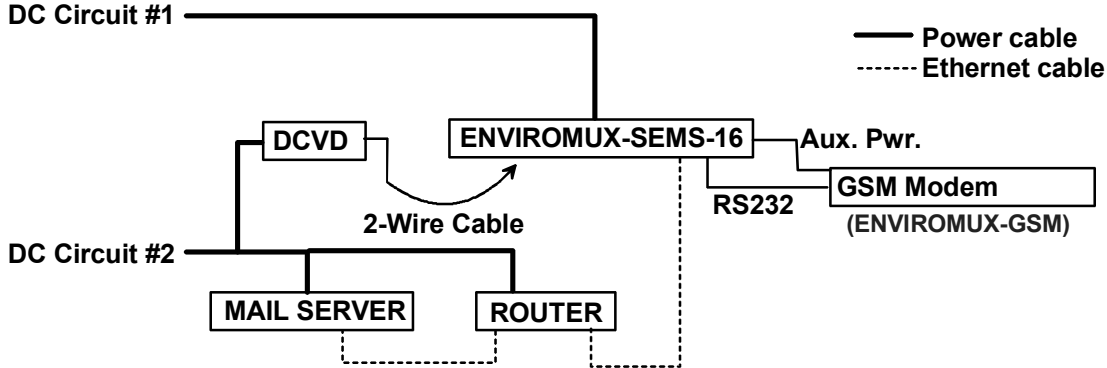
- It is not necessary to install an ENVIROMUX-DCVD-xxx to monitor the DC circuit which provides power to the ENVIROMUX-SEMS-16. The ENVIROMUX-SEMS-16 has built-in power monitoring and battery backup and will send an alert in the event of a power failure.
- In order for the ENVIROMUX-SEMS-16 to send an e-mail alert, the attached network components (routers, mail server, etc.) must have power. If you are using the ENVIROMUX-SEMS-16 and ENVIROMUX-DCVD-xxx to monitor the DC circuit providing power to any of these network components, be sure they will not lose power during a fault condition. (See image below.)

ENVIROMUX-SEMS Installation #1



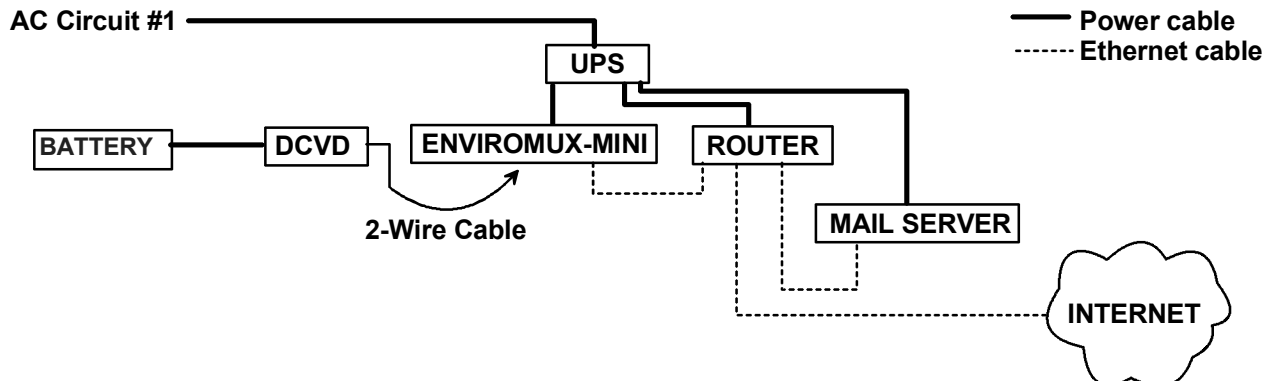
- If your network components will lose power during the DC fault condition, use an alternate means to send alerts such as a GSM Modem (ENVIROMUX-GSM) or Auto Voice Dialer (ENVIROMUX-AVDS). The ENVIROMUX-GSM and ENVIROMUX-AVDS are powered by the "Aux Pwr" port on the ENVIROMUX-SEMS-16. (See image below.)

ENVIROMUX-SEMS Installation #2



- If you are using the ENVIROMUX-DCVD-xxx to monitor the DC Circuit with the ENVIROMUX-MINI, be sure the ENVIROMUX-MINI and any other necessary network equipment (router, mail server, etc.) will not lose power during the fault condition. (See image below.)

ENVIROMUX-MINI Installation



TECHNICAL SPECIFICATIONS

DESCRIPTION	SPECIFICATION
Input Voltage Range	0-36VDC
Power	Powered by 24-36VDC via power cord (25mA Max.)
Size (In.) W x D x H	2x2.5x1

COPYRIGHT

Copyright © 2009 Network Technologies Inc. All rights reserved. No part of this publication may be reproduced, stored in a retrieval system, or transmitted in any form or by any means, electronic, mechanical, photocopying, recording, or otherwise, without the prior written consent of Network Technologies Inc, 1275 Danner Drive, Aurora, OH 44202.

CHANGES

The material in this guide is for information only and is subject to change without notice. Network Technologies Inc reserves the right to make changes in the product design without reservation and without notification to its users.

WARRANTY INFORMATION

The warranty period on this product (parts and labor) is two (2) years from date of purchase. Please contact Network Technologies Inc at (800) 742-8324 or 330-562-7070 for information regarding repairs and/or returns. A return authorization number is required for all repairs/returns.

MODEL NO: ENVIROMUX-DCVD- _____

SERIAL NO: _____

DATE: _____

INSPECTED BY: _____

MAN075 Revised 10/1/2009