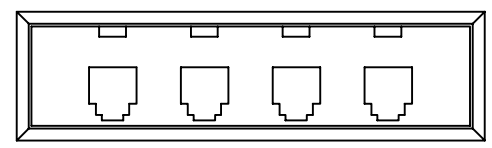


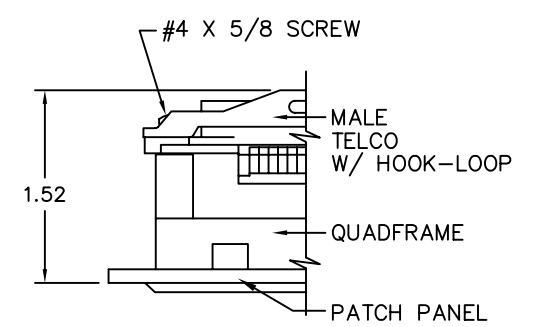
TELCO	TELCO PIN #	JACK PIN #	QUADFRAME/INSERTS	JACK/PORT #	JACK PIN #	8P4C WIRE	TELCO PIN #
BACK SIDE	26	4	RED	1	2	YELLOW (CUTOFF)	1
MALE TELCO WITH HOOK-LOOP	27	3	GREEN	2	3	GREEN	26
	28	3	GREEN	3	4	RED	
	29	3	GREEN	4	5	BLACK (CUTOFF)	
	30	4	RED	5			
	31	4	RED	6			
	32	3	GREEN	7			
	33	4	RED	8			
	34	3	GREEN	9			
	35	4	RED	10			
	36	3	GREEN	11			
	37	4	RED	12			
	38	3	GREEN	13			
	39	4	RED	14			
	40	3	GREEN	15			
	41	4	RED	16			
	42	3	GREEN	17			
	43	4	RED	18			
	44	3	GREEN	19			
	45	4	RED	20			
	46	3	GREEN	21			
	47	4	RED	22			
	48	3	GREEN	23			
	49	4	RED	24			
	50		NO CONNECTION				
	25		NO CONNECTION				

FIRST JACK SHOWN
TELCO #'S ARE
CONSECUTIVE



6P4C JACK
(6 POS. 4 CONT. UNKEYED JACK)
USE 2 CENTER LEADWIRE
CUTOFF 2 OUTSIDE LEADWIRE

NOTE: JACK LEAD WIRE PAIRS HAVE A MINIMUM OF 1 TWIST PER INCH, BEFORE TERMINATION INTO TELCO



TELCO #1 SHOWN, TELCO #2 IS SIMILAR
W/ CONSECUTIVE PORT ASSIGNMENTS (25-48)