

SUBMITTAL SHEET

| | |
|-------------------|-------------|
| JOB NAME | ITEM TAG |
| JOB LOCATION | PART NUMBER |
| CONTRACTOR | DATE |
| ENGINEER APPROVAL | DATE |

INSERTED BONNET GATE VALVE

Model T-751

600 W.O.G. Non-shock

Working Pressure, Non Shock (PSI)

Cold working pressure (CWP):

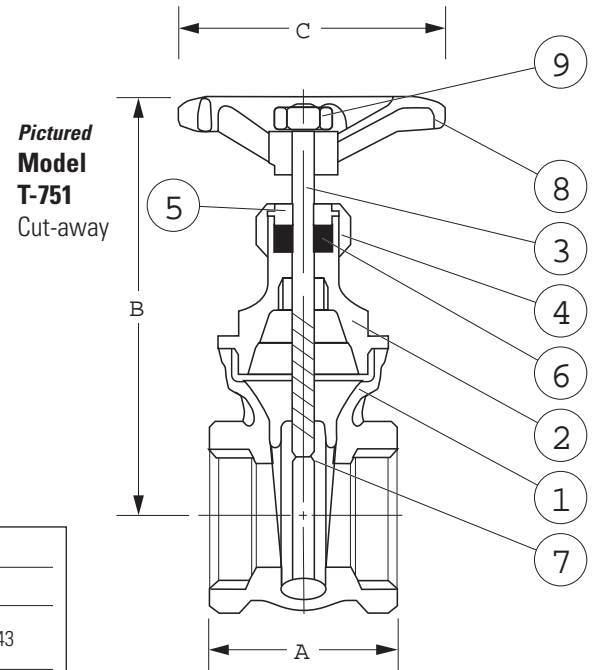
Saturated steam (WSP): 125

Pictured Model T-751



| MATERIAL SPECIFICATION | | |
|------------------------|---------------|----------------------|
| PART | MATERIAL | SPECIFICATION |
| 1 | Body | S.S. 316 |
| 2 | Bonnet | S.S. 316 |
| 3 | Stem | S.S. 304 |
| 4 | Packing nut | S.S. 304 |
| 5 | Packing gland | S.S. 304 |
| 6 | Stem packing | PTFE DUPONT TEFLON |
| 7 | Disc | 316 S.S. 316 |
| 8 | Handwheel | Cast iron JIS ZZ2202 |
| 9 | Handwheel nut | Steel 304 |

*Teflon is a registered trademark of Dupont



| DIMENSIONS | | | |
|------------|------|------|------|
| Size | A | B | C |
| 1/2" | 2.21 | 3.97 | 2.43 |
| 3/4" | 2.42 | 4.12 | 2.43 |
| 1" | 2.75 | 4.35 | 2.95 |
| 1-1/4" | 3.05 | 5.25 | 2.95 |
| 1-1/2" | 3.21 | 6.00 | 3.37 |
| 2" | 3.75 | 6.5 | 3.37 |