

## SUBMITTAL SHEET

JOB NAME	ITEM TAG
JOB LOCATION	PART NUMBER
CONTRACTOR	DATE
ENGINEER APPROVAL	DATE

# AUTOMATIC HOT WATER AIR VENT

## T-70

Durable forged brass and density-specific plastic float offer durability, resistance to corrosion and scale build-up, and consistent venting performance.

The reliable float-and-stem design makes the T-70 ideal for air removal from hot water heating systems.

Venting and closure occur automatically with the float and stem movement.

Straight-configuration design must be installed vertically, on the high point of a baseboard assembly.

Not designed or calibrated for venting steam systems.

Available in Nominal sizes 1/8" and 1/4" MNPT connections.

### Working Pressure, Non Shock (PSI)

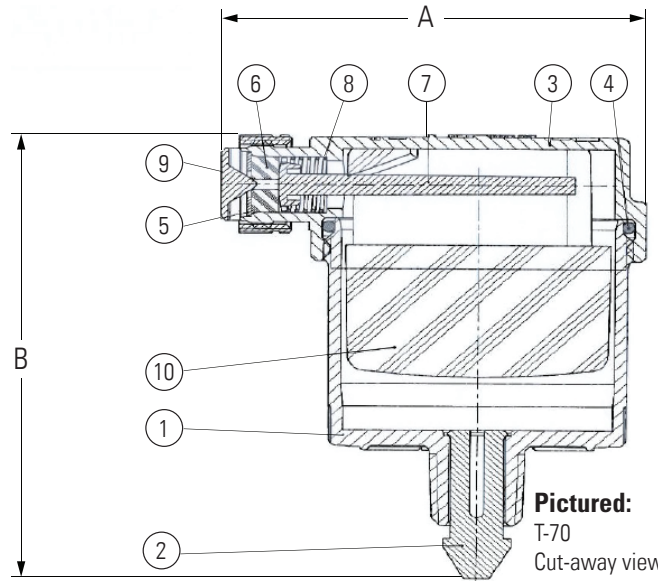
Cold working pressure (CWP): 150 psi @ 240 °F, maximum  
 Maximum service pressure: 200 psi maximum  
 Not suitable for steam service.



**Pictured:**  
T-70

### MATERIAL SPECIFICATION

PART	MATERIAL	SPECIFICATION
1 Body	Forged brass	ASTM B124 UNS Alloy C37700
2 Service check tailpiece	Polyacetal resin (POM)	Commercial grade
3 Cap	Forged brass	ASTM B124 UNS Alloy C37700
4 O-ring	Buna-N (NBR) rubber	Commercial grade
5 Cap washer	Forged brass	ASTM B124 UNS Alloy C37700
6 Stem seat washer	Buna-N (NBR) rubber	Commercial grade
7 Stem	Polyacetal resin (POM)	Commercial grade
8 Stem spring	Stainless steel	AISI Grade 302 - INOX
9 Vent cap	Forged brass	ASTM B124 UNS Alloy C37700
10 Float	Polypropylene (PPH)	Commercial grade



**Pictured:**  
T-70  
Cut-away view

### DIMENSIONS - Inch

Size	A	B
1/8" MNPT	1.84	2.18
1/4" MNPT	1.84	2.18

### Standards:

ANSI/ASME B1.20.1: Pipe Threads, General Purpose, Inch