

SUBMITTAL SHEET

JOB NAME	ITEM TAG
JOB LOCATION	PART NUMBER
CONTRACTOR	DATE
ENGINEER APPROVAL	DATE

BRONZE RISING STEM GLOBE VALVE

T-421

Full-pattern globe-shaped body promotes good flow characteristics, minimal pressure drop and durability.

A large-diameter tapered bronze disc and venturi-tapered port, permit precise throttling control.

The articulated stem and tapered disc connection, prolong seat life by eliminating friction at the metal-to-metal closure. Allowing the disc and stem to move independently of one another, enables the disc to seat and seal without twisting and abrading.

Durable inserted bonnet and oversized stem packing are commercial-grade.

Rising-stem design provides a quick visual reference of the disc position.

Designed for water or steam, where precise flow control is required.

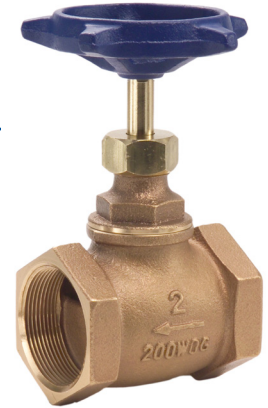
Available in nominal pipe sizes 1/2" to 2".

Working Pressure, Non Shock (PSI)

Cold working pressure (CWP): 200 p.s.i.

Saturated steam (WSP): 125 p.s.i. to 350° F maximum temperature

- Class 125
- Threaded connections comply with ANSI / ASME B1.20.1 (FNPT)
- Manufactured in an ISO accredited facility.



Pictured Model T-421

MATERIAL SPECIFICATION

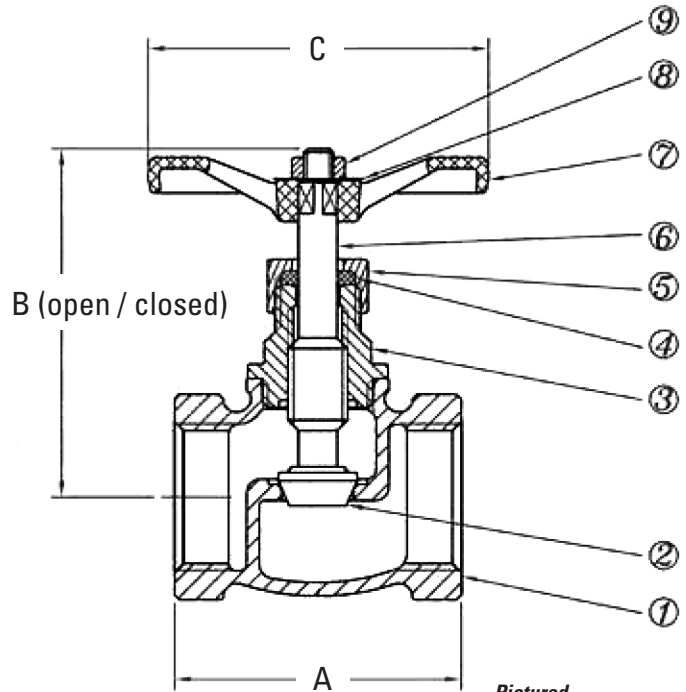
PART	MATERIAL	SPECIFICATION
1 Body	Cast bronze	ASTM B584
2 Disc	Forged brass	ASTM B124
3 Bonnet	Forged brass	ASTM B124
4 Stem Packing	PTFE	Teflon**
5 Packing nut	Forged brass	ASTM B16
6 Stem	Forged brass	ASTM B16
7 Handwheel	Cast iron	ASTM A48 Class 30
8 Identification disc	Aluminum	Commercial grade
9 Handwheel nut	Forged brass	ASTM B16
10 Gland follower (*not shown)	Forged brass	ASTM B16
11 Disc nut (*not shown)	Forged brass	ASTM B124

*These components exist in the 1-1/4", 1-1/2" & 2" T-421 only.

** Teflon™ is a registered trademark of the DuPont Company.

DIMENSIONS

Size	A	B open / closed	C	***CV Factors (GPM, Full-Open)
1/2"	1.97	2.84 / 2.44	2.21	3
3/4"	2.21	3.27 / 2.87	2.21	3.6
1"	2.56	3.90 / 3.50	2.60	7.4
1-1/4"	2.95	4.29 / 3.86	3.03	11
1-1/2"	3.31	4.96 / 4.41	3.03	20
2"	3.94	5.95 / 5.32	3.94	26



Pictured Model T-421
Cut-away

***The CV factor is the gallons of water per minute passed through the valve with a 1 p.s.i. pressure drop.