



KPC-E190NU

750TVL Miniature Bullet Camera

www.ktncusa.com

- 750TVL Horizontal Resolution
- 1/3"960H SONY EXview HAD CCD-II
- Min. Illumination of 0.1 Lux
- IP67 (Water Resistant)
- Digital Day & Night
- 2D DNR / HLC / BLC / AWB / AGC
- DC 12 V Power

Resolution
960

For design help, accessories or pricing, please contact:
sales@avsupply or call: 1-858-565-1101

AUDIOVIDEO SUPPLY
1-800-284-2288 sales@avsupply.com
www.avsupply.com

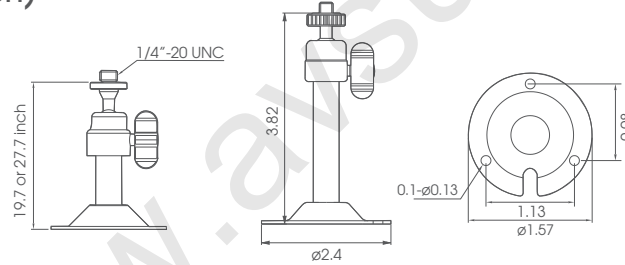
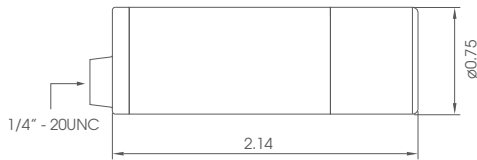


Resolution 960

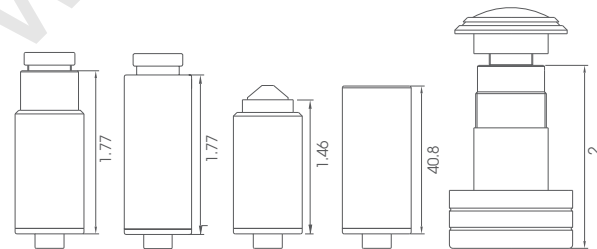
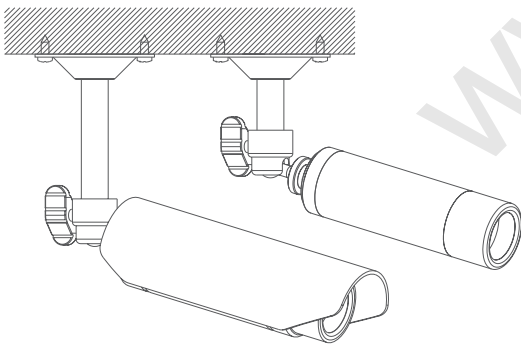
- 750TVL Horizontal Resolution
- 1/3" 960H SONY EXview HAD CCD II
- Min. Illumination of 0.1 Lux
- IP67 (Water Resistant)
- Digital Day & Night
- 2D DNR / HLC / BLC / AWB / AGC
- DC 12 V Power



General Feature Diagram Unit: (inch)



Mounting Position



KPC-E190NU

750TVL Miniature Bullet Camera



Technical Specification

Signal System	NTSC		
Image Sensor	1/3" 960H SONY EXview HAD CCD II		
Scanning System	2:1 Interlace		
Horizontal Resolution	750TV Lines		
Scanning Frequency	15.734 KHz x 59.94 Hz (H x V)		
Total Pixels	Effective Pixels	1020 x 508 (H x V)	976 x 494 (H x V)
Synchronization	Internal		
Lens	2.97 mm, 3.6 mm, 4.3 mm, 6 mm, 8 mm, 12 mm		
Lens Type	Fixed Board Lens		
S/N	More than 50 dB (AGC Off)		
Gamma	r = 0.45		
Min. Illumination	0.1 Lux		
Shutter Speed	1/60 - 1/100,000 sec		
Day & Night	Digital Day & Night		
Day & Night Function	Auto		
IP Rating	IP67 (Water Resistant) - E190NUWX Only		
Video Output Level	1.0 Vp-p Composite (75 Ω)		
DNR	2D DNR		
Operating Temperature	14 °F ~ 122 °F (-10 °C ~ 50°C)		
Storage Temperature	-4 °F ~ 140 °F (-20 °C ~ 60 °C)		
Humidity	Less than 80% RH		
Power Supply	DC 12 V (±10%), Max. 70 mA		
Dimension	Ø0.75 x 2.14 inch (Ø19 x 54.4 mm)		
Weight	0.15 lbs (68 g)		

TYPE	Board Lens						Pinhole Lens		
	P1	P3	P4						
Focal Length	1.78	2.97	3.6	6	8	12	3.7	3.7	4.3
Aperture	F3.0	F2.0	F2.0	F2.0	F2.0	F2.2	F2.0	F2.0	F2.0
Angle of View	170°	130°	92°	53°	40°	28°	90°	90°	78°

Lens (mm)

For design help, accessories or pricing, please contact:
sales@avsupply or call: 1-858-565-1101