



INNOVATIVE
HIGH DEFINITION SURVEILLANCE



KNC-SPDNI120

IP PTZ Camera

www.ktncusa.com

- 1/2.8" SONY Exmor CMOS
- 2.1Megapixel
- Min. Illumination of 0.1 Lux
- 12x Optical Zoom Lens
- True Day & Night with ICR Mechanism
- IP66 (Weather Resistant)
- AV 24V Power

IP

HDTV / Megapixel

Network Cameras

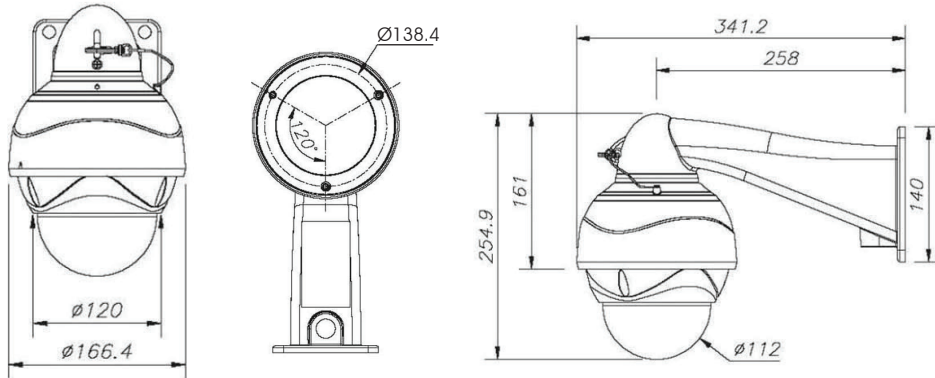
IP

HDTV / Megapixel
Network Cameras

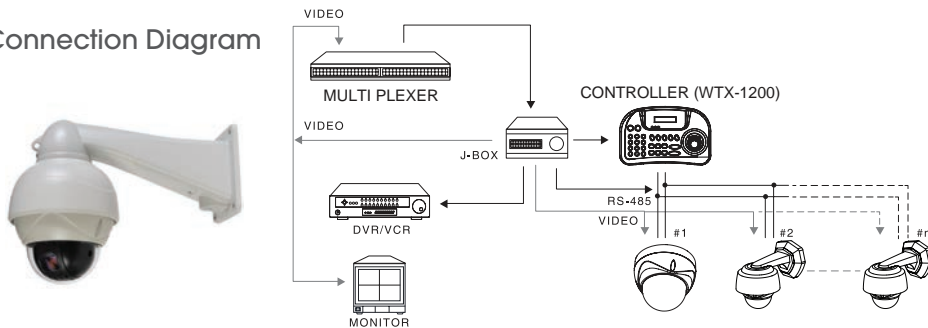
- 1/2.8" SONY Exmor CMOS
- 2.1Megapixel
- Min. Illumination of 0.1 Lux
- 12x Optical Zoom Lens
- True Day & Night with ICR Mechanism
- IP66 (Weather Resistant)
- AV 24V Power



General Feature Diagram Unit: (mm)



Connection Diagram



KNC-SPDNI120

IP PTZ Camera

SONY 1/2.8" Exmor Progressive CMOS	2.1 MEGAPIXEL	IP66	16:9 HD	1.0Lux	PoE
360° CONTINUOUS	TWO-WAY AUDIO	8 PATTERN	MECHANICAL DAY&NIGHT	4IN ALARM	AC24V

Technical Specification

Camera	Image Sensor	3.27 Megapixel, 1/2.8" SONY Exmor CMOS				
	Total Pixels (H x V)	2144 x 1588				
	Day & Night	True Day & Night with ICR Mechanism				
	Min. Illumination	0.1 Lux / F2.0				
	Shutter Speed	1/30 ~ 1/10,000				
Lens	Lens	12x Optical / 10x Digital Zoom (f=5 ~ 60mm)				
	Lens Type	12x Optical Zoom Lens				
Video	Maximum Resolution	H.264	1920 x 1080 (16:9)	MJPEG	1280 x 720 (16:9)	
	Frame Rate	H.264	30fps	MJPEG	30fps	
	Compression	H.264		MJPEG		
	Streaming	Dual-Stream at different frame rate and bandwidth				
	Digital Slow Shutter	2X ~ 64X				
Audio	Image Settings	Brightness, Contrast, Saturation, Sharpness, White balance, Exposure control, Image rotation, Text and image overlay, Privacy masking, BLC				
	Streaming	Two-way, full duplex				
	Compression	G.711, G.726				
Network	Input / Output	External Microphone or Line Input / Line Output				
	LAN	Ethernet 10/100 Base-T (RJ-45 Type)				
	Security	Multiple user access levels with password protection, HTTPS (SSL)				
	Protocol	IPv4, HTTP, TCP, RTSP, RTP, UDP, IGMP, RTCP, SMTP, FTP, ICMP, DHCP, ARP, DNS, DDNS, HTTPS, UPnP				
Intelligent Video	ONVIF Compliant	Yes				
	Interface	OS	Windows XP, Vista, 7	Browser	Internet Explorer	
	Video Motion Detection	Yes				
Alarm and Event	Alarm Triggers	Intelligent video, external inputs, manual triggers, network fail, reboot				
	Alarm Events	JPEG image upload via FTP & Email, notification via E-mail, external output activation				
General	Processors	CPU: ARM 926EJ-S				
	Memory	RAM: 128 MB, Flash: 64 MB				
	Power	PoE class 4 (IEEE 802.3at Type2) AC24V 38.5W (Heater on)				
	Interface	Analog Composite Output				
		Power (AC24V) Input				
		Sensor Input x 1 / Alarm Output x 1				
	Audio Input x 1 / Audio Output x 1					
	RS485, Status LED					
IP Rating	IP66 (Weather Resistant)					
Operating Temperature	14°F ~ 122°F (-10°C ~ 50°C)					
Dimension	Bubble (Φ4.4), Φ6.5 x 13.4 x 10 inch (Bubble (Φ112), Φ166 x 341 x 255 mm)					
Weight	7.7 lbs (3500 g)					