

# OMNI EZ HD TVI

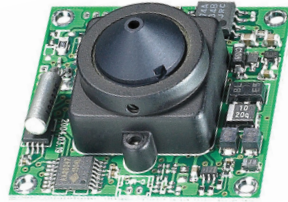
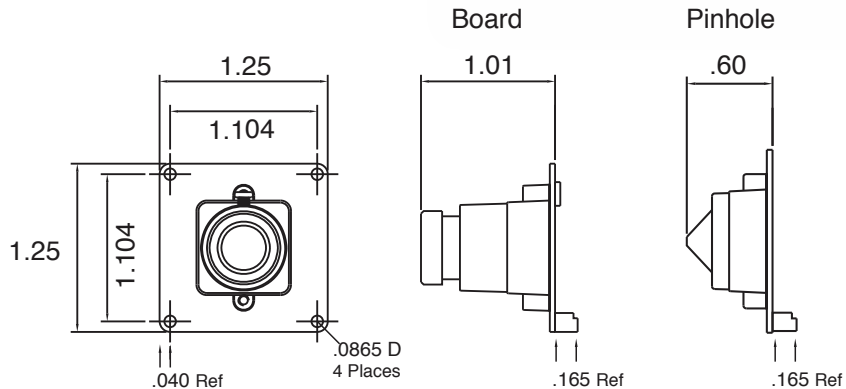
**ACE-c2MIP4: Pinhole Lens**  
**ACE-c2MIB4: Board Lens**

1080p HD Over Regular Coax or UTP  
 Miniature Square 1080p Camera  
 with board type or pinhole lens

### Features

- Ultra Compact Size
- 1/2.7" Progressive Scan CMOS
- EZHD-TVI: 1080p 30 FPS
- Up the Cable menu control
- Digital Day/Night
- For indoor applications
- DC 12V power

Dimensions: Inches



ACE-c2MIP4: Pinhole



ACE-c2MIB4: Board

**1080p**

**30 FPS**

**Digital Day/Night**

**UTC  
Up The Cable  
OSD Control**

**DC12**

**Indoor**

**Miniature Module**

### Technical Specifications:

<b>Image Device</b>	1/2.7" PROGRESSIVE SCAN CMOS
<b>Effective Pixels</b>	1930 (H) x 1088 (V)
<b>Unit cell size</b>	3.0um (H) x 3.0um (V)
<b>Video output mode</b>	HD-TVI : 1080P 30fps(25fps)
<b>Transmission Distance</b>	HD-TVI : Color 300m@RG59 , BW 500m@RG59
<b>Menu Access</b>	Up the Cable control
<b>Shutter speed</b>	Auto, 1/25, 1/30, 1/50, 1/60, 1/100, 1/120, 1/250, 1/500, 1/1000, 1/3000, 1/10000
<b>BLC</b>	BLC (1~16 selectable)
<b>HLC</b>	Adjustable area, 0~255 for mask and threshold values
<b>AGC</b>	1~5 (Max. 30dB)
<b>Flickerless</b>	Off, 50Hz, 60Hz
<b>2DNR</b>	AUTO
<b>White Balance</b>	AUTO indoor / AUTO Outdoor / USER / PUSH / Manual
<b>Lens</b>	Board type 3.7mm / Pinhole type 4.3mm
<b>Day&amp;Night</b>	Auto, color, B/W
<b>Privacy Zones</b>	Two, with adjustable size and position
<b>Image Control</b>	Flip, Mirror, Gain, Hue, Sharpness, Contrast
<b>Temperature/Humidity (non condensing)</b>	Operation : 5°F~122°F(-15°C~50°C) Storage : -4°F~140°F(-20°C~60°C) Humidity less than 80%
<b>Power Consumption</b>	DC12V ±10% Max.100mA
<b>External Control</b>	UTC (Up The Cable OSD Menu Control)
<b>Dimensions</b>	Body 1.25" x 1.25" Depth with pinhole Lens .765"   With Board Lens 1.175"
<b>Video and Power Cable</b>	Detachable; >23" long (58.5cm)
<b>Weight</b>	Approx. 15g / .5 oz. plus cable