

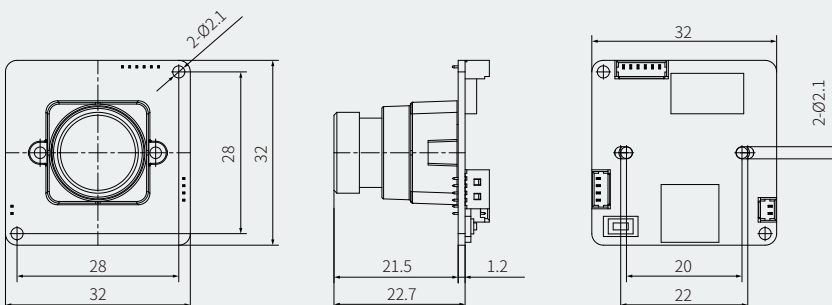
Camera Module

ACE-HMS6332-iB

- 1/2.8" 2.13MP Sony STARVIS CMOS
- 1080p(1920x1080)@30(25)fps
- H.264 Main/Baseline Profiles
- Fixed lens 3.6mm or Pinhole lens 4.3mm available
- Electronic Day&Night
- 3D DNR, DSS, BLC, WDR
- 12VDC / PoE(Optional)
- 2 seconds boot-up complete



Dimensions



Camera Module

ACE-HMS6332-iB

Specifications

Image Sensor	1/2.8" Progressive Scan SONY STARVIS CMOS	
Effective Pixels	1945(H) x 1097(V)	
Scanning	Progressive scan	
Min.Illumination	0.05Lux(F2.5, DSS Off) / 0.01Lux(DSS On)	
S/N ratio	≤50dB	
Video Output	Network	Network
	Analog	-
Lens	Type	Fixed lens
	Focal Length	3.6mm, F 2.0
	Angle of View	-
Board Lens	2.4mm	156 (D)x135 (H)x75 (V)
	3.6mm	112.3 (D)x93.7 (H)x49.3 (V)
	6.0mm	62.1 (D)x53.9 (H)x30.1 (V)
	8.0mm	44.8 (D)x39.3 (H)x22.4 (V)
	4.3mm	84.3 (D)x71.5 (H)x38.4 (V)
White Balance	Auto, 3000K, 5000K, 8000K	
Dynamic Range	Method	Double Shutter WDR
	Level(dB)	116dB (Estimated)
Electronic Shutter Speed	1/25(30)~1/30,000	
Auto Gain Control(AGC)	Off~69dB	
Day&Night	AUTO/COLOR/B&W (Electronic D&N)	
Digital Slow Shutter(DSS)	OFF~ x32	
Noise Reduction	2D, 3D DNR	
Motion Detection	60x34 Motion Block, upto 4 Zones	
Privacy Masking Zone	16 Zones	
Image Rotation	-	
Image Stabilization(DIS)	-	
Defog	-	
Alarm	Alarm In/Out	-
	Alarm riggers	Motion
	Alarm Events	Network
Ethernet	10/100 Base-T Ethernet	
Video Compression Format	H.264 Baseline, Main Profile, MJPEG	
Video Resolution	1920x1080, 1280x720, 800x600, 704x480, 704x400, 640x480, 640x360, 320x240	
Max. Frame Rate	First : 1080p 30(25)fps (H.264) Second : 640x360 30(25)fps (H.264) Third : 1080p 30(25)fps (MJPEG)	
Streaming Capability	Multiple Streaming(Up to 3 Profiles)	
Streaming Method	Unicast	
Bitrate Control	H.264 : CBR, VBR, CVBR	
Max.User Access	5	
Audio	Audio in/Out	-
	Compression Format	-
	Communication	-
IP	IPv4	
Protocol	HTTP, HTTPS, UPnP, DNS, DDNS, RTP/RTSP, TCP/IP, UDP, DHCP, RARP, NTP	
Security	-	
Web Viewer	Web browser	Internet Explorer, Edge, Safari, Firefox, Chrome
	Language	English
External Storage	-	
SW Integration API	Onvif	
Ingress Protection Grade	-	
Dimension(mm)	32X32mm	
Weight	Approx.5.65g	
Operating Temperature	-10°C~+50°C	
Storage Temperature	-20°C~+60°C	
Vandal Resistance	-	
Supply Voltage	12VDC(±10%) , PoE(IEEE802.3af)	
Power Consumption	12VDC(Max.190mA), PoE (Max.3.0W)	