

ZZ2720

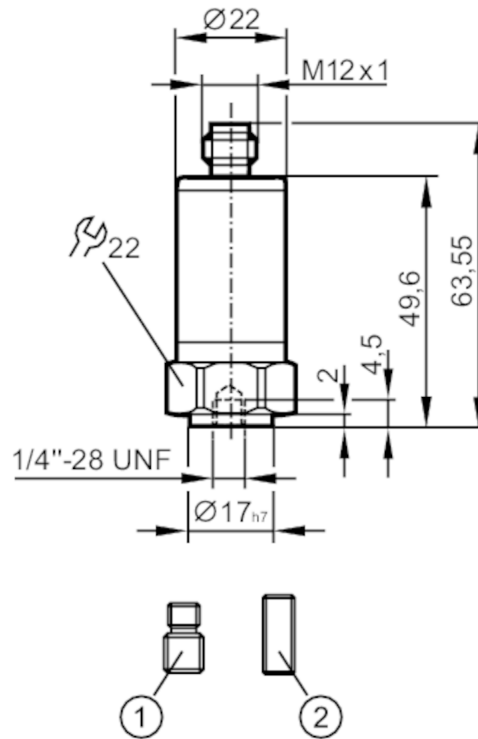


IO-Link LW2720 starter kit

LW2720 STARTER KIT

Article can only be ordered once per customer

article is delivered with parameter setting software moneo configure free



- 1 set screw 1/4"-28 UNF / M8
- 2 set screw 1/4"-28 UNF

Mechanical data

Weight [g] 1033

Accessories

Items supplied	continuous level sensor (non-contact, radar), LW2720
	USB IO-Link master, AL1060
	USB cable 1 m, M12 B-coded, E12689
	Connection cable 0,3 m, M12 A-coded, EVF049
	Parameter setting software, moneo configure free

Remarks

Remarks	For additional information, please refer to the data sheets and installation instructions for the components listed above.
Notes	Article can only be ordered once per customer
Pack quantity	1 pcs.