

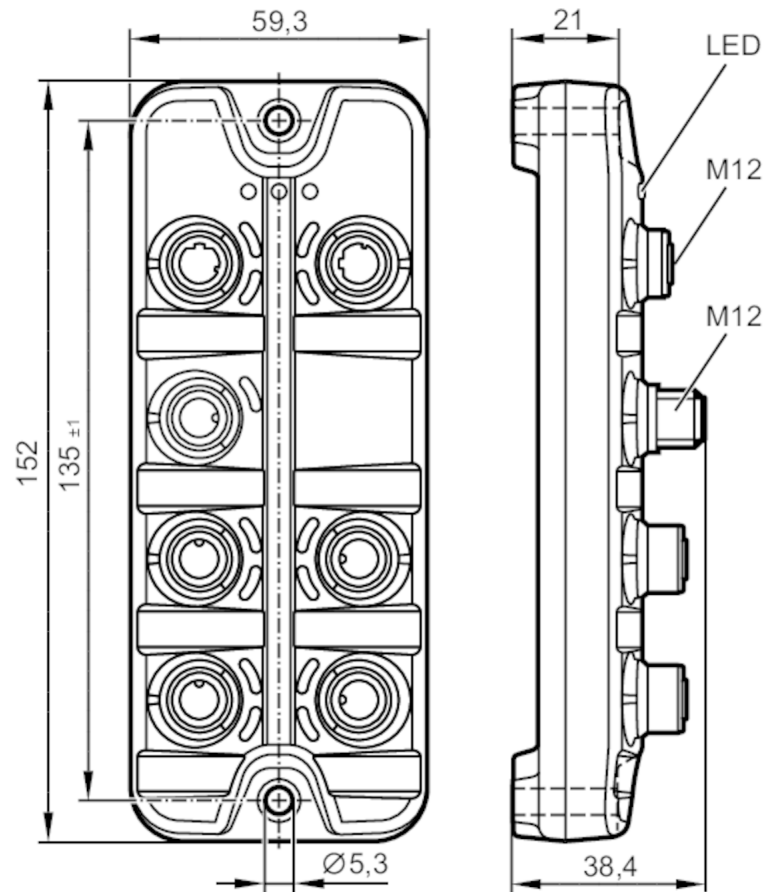
ZZ1100



IO-Link master starter kit - PROFINET

STARTER KIT IO-LINK

Article can only be ordered once per customer



Mechanical data

Weight [g] 627.5

Accessories

Items supplied	IO-Link master StandardLine, PROFINET, AL1100
	Power supply, 230 V / 24 V (M12), E80121
	Ethernet cable M12 - RJ45; 0,5 m, EVC924
	Connection cable M12 - M12; 0,6 m, EVC041
	Laser distance sensor, O5D150

Remarks

Remarks	For additional information, please refer to the data sheets and installation instructions for the components listed above.
Notes	Article can only be ordered once per customer
Pack quantity	1 pcs.