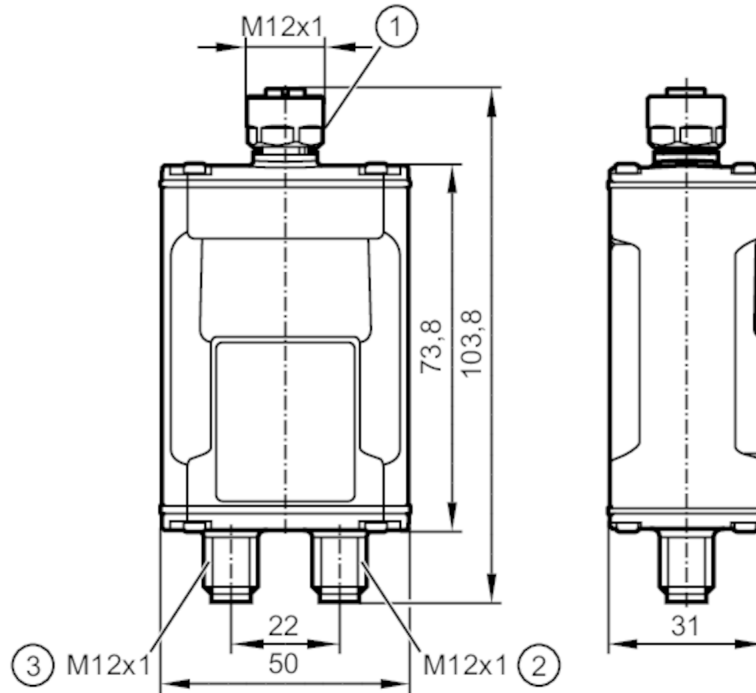


# ZZ1060



## IO-Link interface

SET AL1060 IO-Link Master USB



- 1 IO-Link
- 2 AUX
- 3 USB

### Application

Application parameter setting and analysis of units

### Electrical data

Nominal voltage DC	[V]	5; (USB)
Current consumption	[mA]	< 1100; (USB)
Protection class		III
Sensor supply		24 V DC

### Sensor supply - AUX

Current rating per port	[A]	0.65
-------------------------	-----	------

### Sensor supply - USB

Current rating per port	[A]	0.15
-------------------------	-----	------

### Inputs / outputs

Number of inputs and outputs Number of digital inputs: 2; Number of digital outputs: 2

### Inputs

Number of digital inputs		2; (IO-Link port Class A : 1 x 2)
Switching level high	[V]	11...30
Switching level low	[V]	0...5
Short-circuit protection digital inputs		yes

### Outputs

Number of digital outputs		2; (IO-Link port Class A: 1 x 2)
Max. current load per output	[mA]	150

# ZZ1060



## IO-Link interface

SET AL1060 IO-Link Master USB

Short-circuit proof	yes	
<b>Interfaces</b>		
Communication interface	IO-Link; USB	
Number of USB interfaces	1	
<b>IO-Link Master</b>		
Transmission type	COM1 (4,8 kBaud); COM2 (38,4 kBaud); COM3 (230,4 kBaud)	
IO-Link revision	1.1	
Number of ports class A	1	
<b>USB</b>		
Version	USB 2.0	
<b>Operating conditions</b>		
Ambient temperature [°C]	-25...50	
Storage temperature [°C]	-25...85	
Max. relative air humidity [%]	90	
Protection	IP 65; IP 67	
<b>Tests / approvals</b>		
EMC	DIN EN 61000-6-2	
	DIN EN 61000-6-4	
Shock resistance	DIN EN 60068-2-27	
Vibration resistance	DIN EN 60068-2-64	
	DIN EN 60068-2-6	
<b>Mechanical data</b>		
Weight [g]	388.3	
Material	housing: PA; Socket: PA; lock nut: nickel-plated brass	
Sealing material	FKM	
<b>Displays / operating elements</b>		
Display	PWR	1 x LED, green/red voltage supply
	IO-Link	1 x LED, green/red communication
	DI/DO	1 x LED, orange digital input/output
<b>Accessories</b>		
Items supplied	USB IO-Link master: 1, AL1060	
	Connection cable: 1 m, M12 A-coded, EVC012	
	USB cable: 1 m, M12 B-coded, E12689	
Accessories (optional)	Switched-mode power supply 24 V DC., M12 A-coded, E80121	
<b>Remarks</b>		
Pack quantity	1 pcs.	

# ZZ1060



## IO-Link interface

SET AL1060 IO-Link Master USB

### Electrical connection - AUX

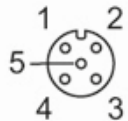
Connector: M12; coding: A



1:	+ 24 V DC US
2:	not used
3:	GND US
4:	not used

### Electrical connection - IO-Link

Connector: M12; coding: A; sealing: FKM



1:	Sensor supply US L+
2:	digital input/output
3:	Sensor supply US L-
4:	IO-Link (C/Q)
5:	not used

### Electrical connection - USB

; coding: B



1:	VBUS + 5 V DC
2:	Data -
3:	Data +
4:	GND