

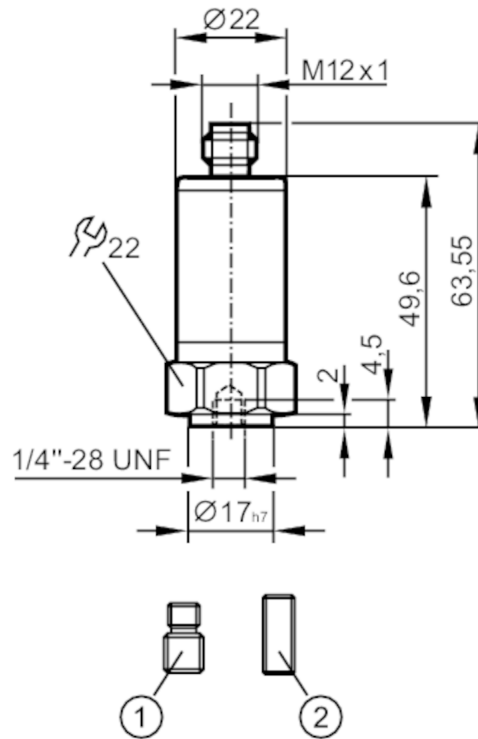


## IO-Link VVB starter kit

VVB STARTER KIT IO-LINK

Article can only be ordered once per customer

article is delivered with parameter setting software moneo configure free



- 1 set screw 1/4"-28 UNF / M8
- 2 set screw 1/4"-28 UNF

### Mechanical data

Weight [g] 1103

### Accessories

Items supplied	IO-Link vibration sensors type VVB, VVB001
	IO-Link master DataLine (MQTT, JSON), AL1350
	IO-Link Bluetooth adapter, EIO330
	plug-in power supply, 24V / DC, E80121
	Connection cable M12 - Ethernet RJ45, EVC924
	Connection cable M12 - M12; 0,6 m, EVC041
Parameter setting software, moneo configure free	

### Remarks

Remarks	For additional information, please refer to the data sheets and installation instructions for the components listed above.
Notes	Article can only be ordered once per customer
Pack quantity	1 pcs.