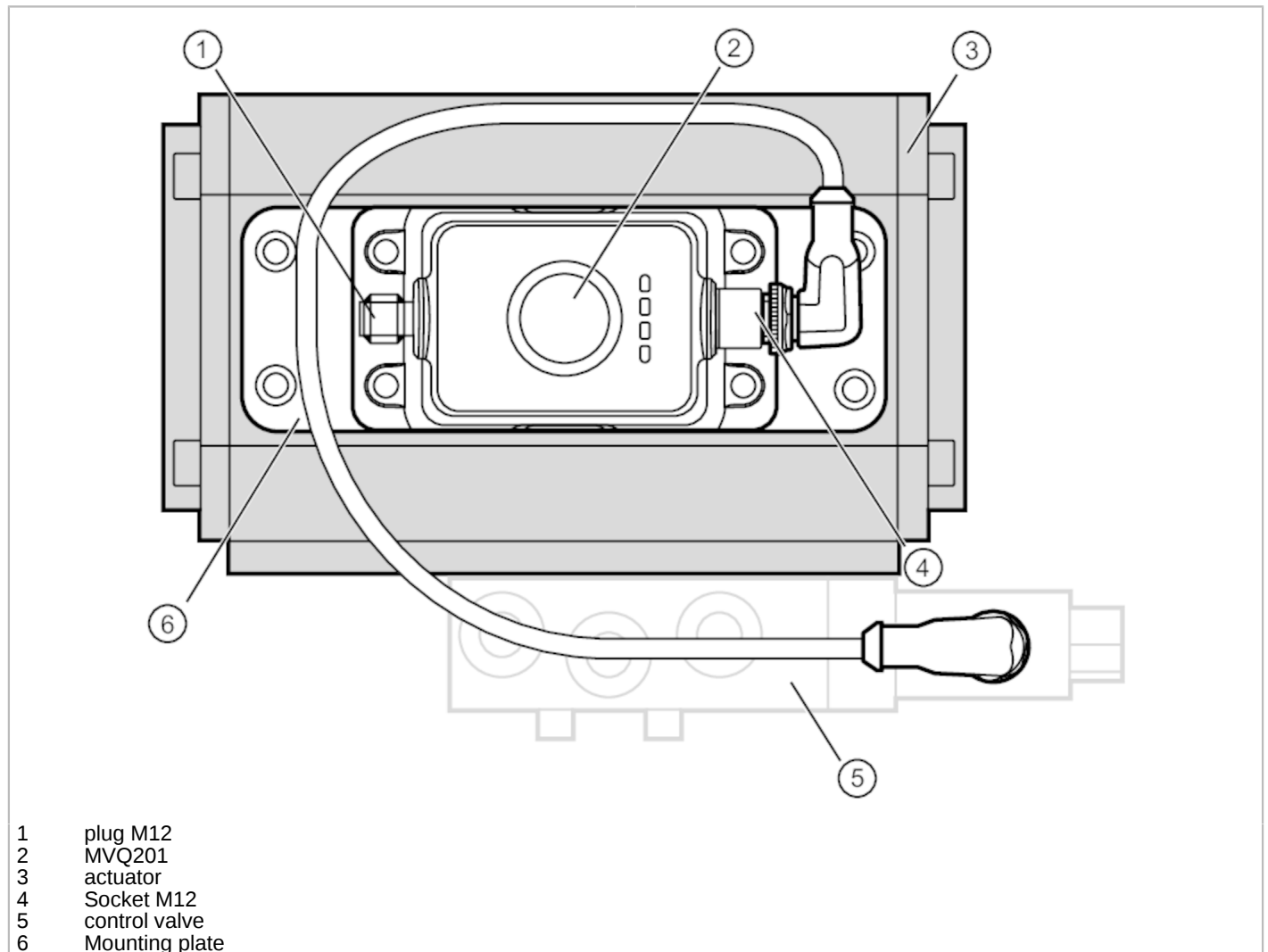


ZZ0630



Automation set for pneumatic valve actuators

ADDED VALUE PACKAGE MVQ 130x30x30



- 1 plug M12
- 2 MVQ201
- 3 actuator
- 4 Socket M12
- 5 control valve
- 6 Mounting plate

Mechanical data

Weight [g] 890.5

Accessories

Items supplied	Position sensor for valve actuators: 1, MVQ201
	5/2-way solenoid valve: 1, Convertible from 5/2-way function to 3/2-way function, ZJF131
	Connection cable: 1, EVC030
	Mounting plate: 1 x 130 x 30 x 10 mm, E12573

Remarks

Pack quantity 1 pcs.

ZZ0630



Automation set for pneumatic valve actuators

ADDED VALUE PACKAGE MVQ 130x30x30

Diagrams and graphs

