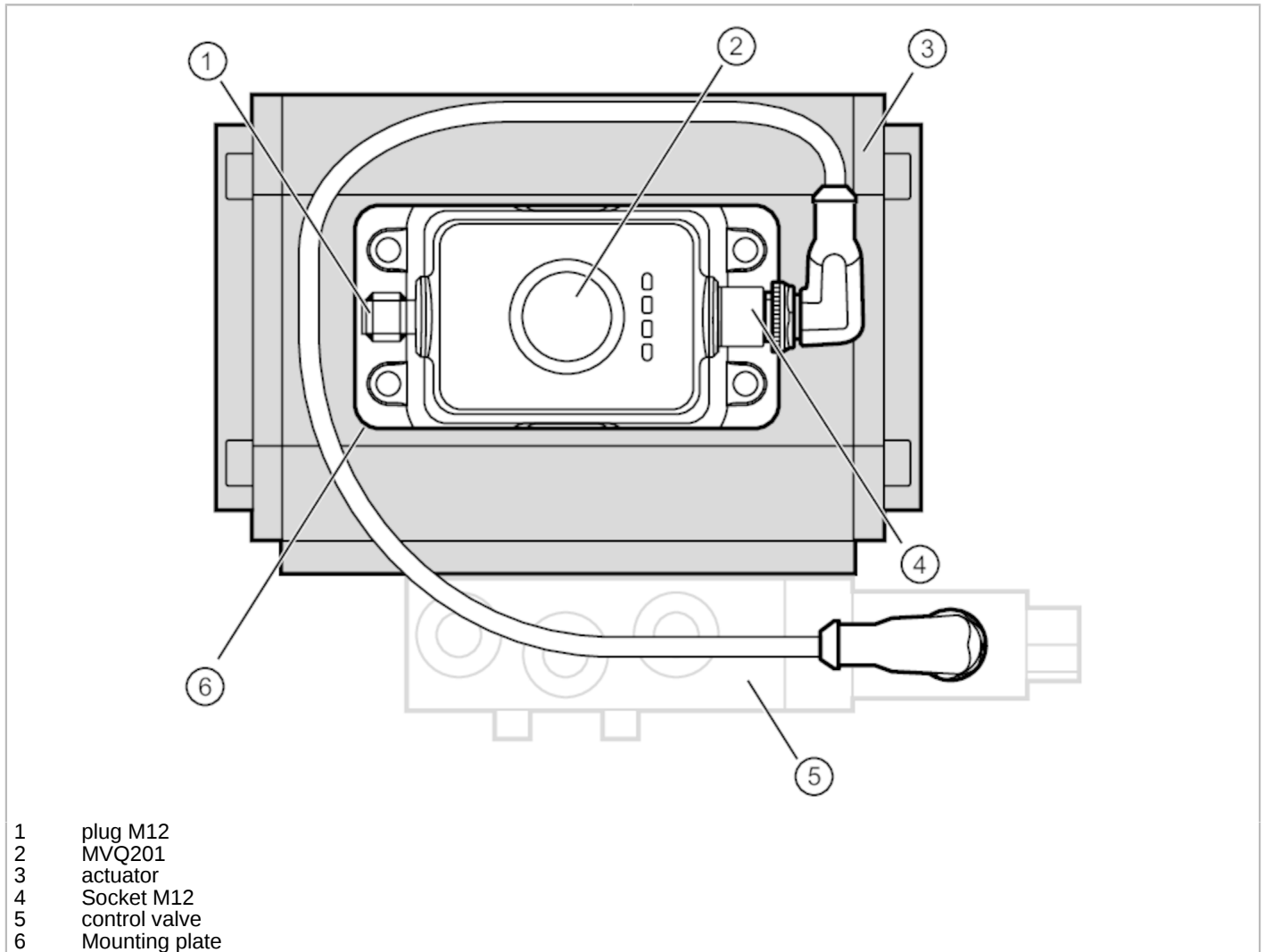


ZZ0629



Automation set for pneumatic valve actuators

ADDED VALUE PACKAGE MVQ 80x30x30



- 1 plug M12
- 2 MVQ201
- 3 actuator
- 4 Socket M12
- 5 control valve
- 6 Mounting plate

Mechanical data	
Weight	[g] 861
Accessories	
Items supplied	Position sensor for valve actuators: 1, MVQ201
	5/2-way solenoid valve: 1, Convertible from 5/2-way function to 3/2-way function, ZJF131
	Connection cable: 1, EVC030
	Mounting plate: 1 x 80 x 30 x 10, E12569
Remarks	
Pack quantity	1 pcs.

ZZ0629



Automation set for pneumatic valve actuators

ADDED VALUE PACKAGE MVQ 80x30x30

Diagrams and graphs

