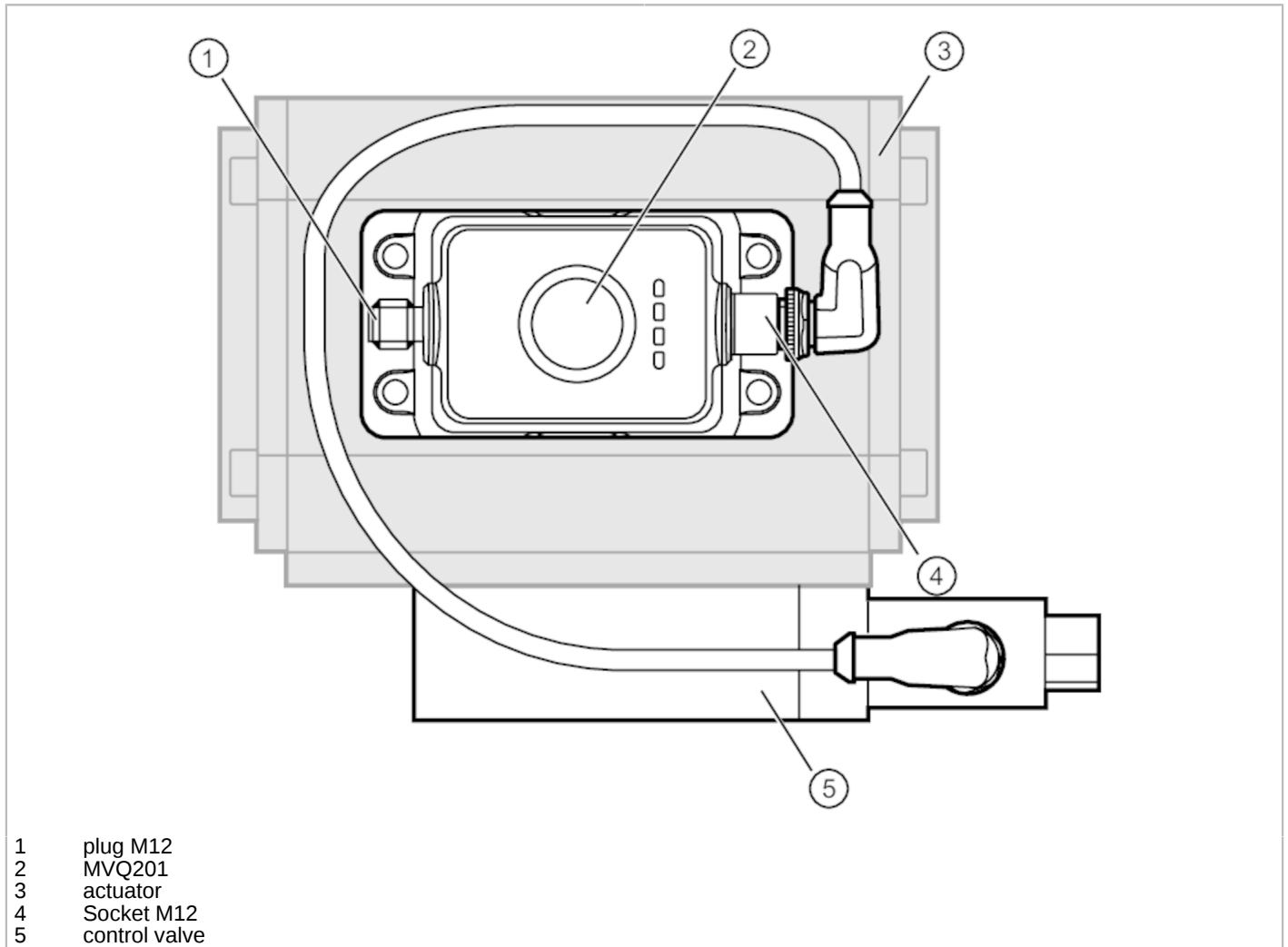


ZZ0628



Automation set for pneumatic valve actuators

ADDED VALUE PACKAGE MVQ 80x30x20



- 1 plug M12
- 2 MVQ201
- 3 actuator
- 4 Socket M12
- 5 control valve

Mechanical data	
Weight	[g] 785.5
Accessories	
Items supplied	Position sensor for valve actuators: 1, MVQ201 5/2-way solenoid valve: 1, Convertible from 5/2-way function to 3/2-way function, ZJF131 Connection cable: 1, EVC030
Remarks	
Pack quantity	1 pcs.

ZZ0628



Automation set for pneumatic valve actuators

ADDED VALUE PACKAGE MVQ 80x30x20

Diagrams and graphs

