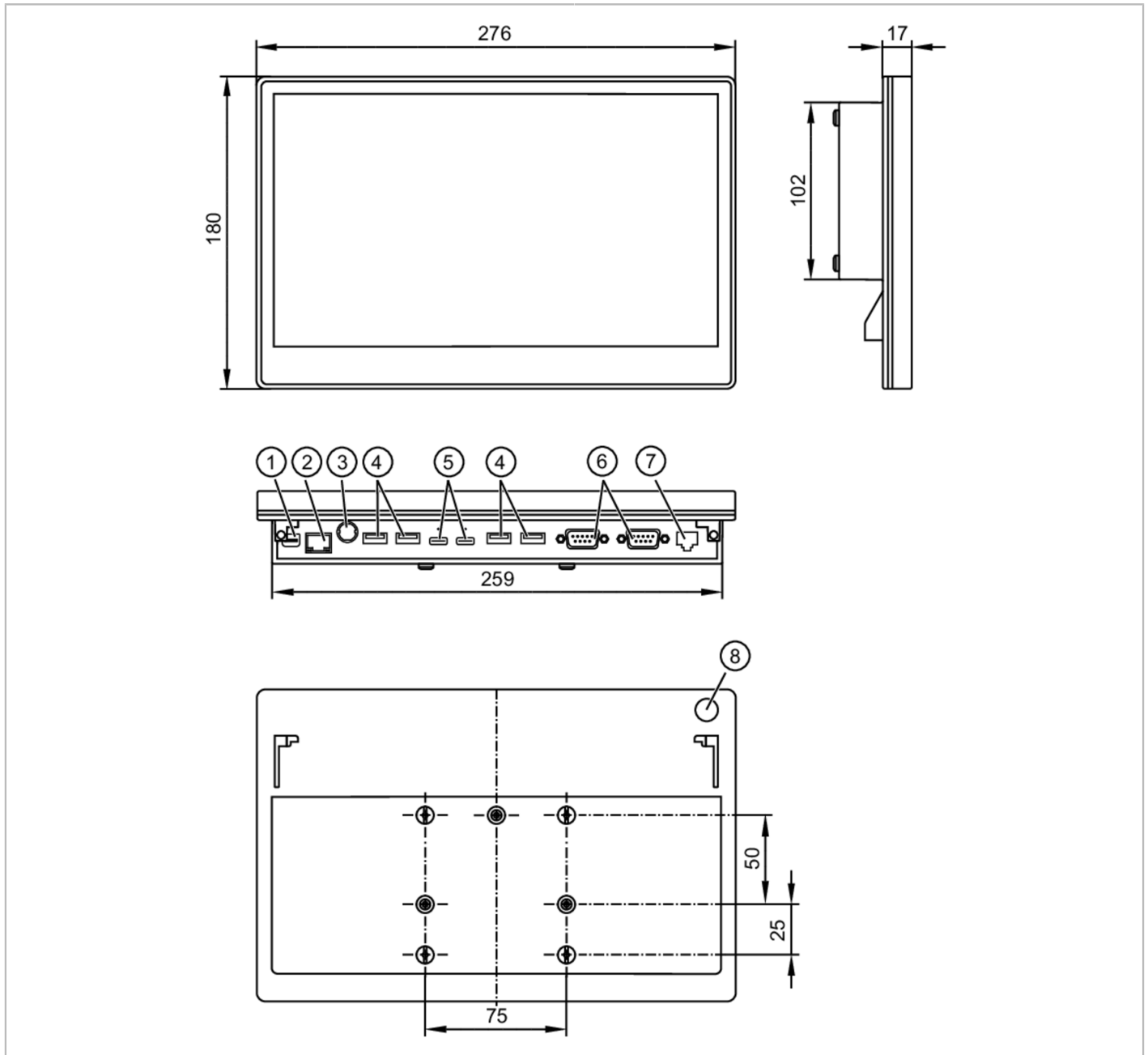


ZJF060



Touch Panel PC

Panel PC FT-11.6/Celeron/4GB/128GB



Electrical data	
Operating voltage	[V] 19 DC; (Power supply 230AC / 19DC)
Power consumption	[W] 65
Outputs	
Number of video outputs	1; (Proprietary miniDP)
Software / programming	
Operating system	Windows 10 IoT Enterprise, Linux
Interfaces	
Number of Ethernet interfaces	1; (plug RJ45)
Number of R232 interfaces	2
Number of USB interfaces	6; (USB Type -A 2 x USB 3.0 2 x USB 2.0; USB Type - C 2 x USB 3.0)

ZJF060



Touch Panel PC

Panel PC FT-11.6/Celeron/4GB/128GB

Type of connector	RJ11; RJ45	
Operating conditions		
Storage temperature [°C]	-20...60	
Max. relative air humidity [%]	85; (non condensing)	
Protection	IP 54	
Mechanical data		
Weight [g]	2605.7	
Type of mounting	VESA standard; (75 x 75 mm)	
Dimensions [mm]	277 x 180.5 x 40.8	
Displays / operating elements		
Display	Color display	LC display, 1920 x 1080 11,6"
Hardware		
Processor	Intel Elkhart Lake Celeron J6412 2,6 GHz	
Working memory	4GB DDR4	
Mass storage	128GB SSD	
Remarks		
Pack quantity	1 pcs.	