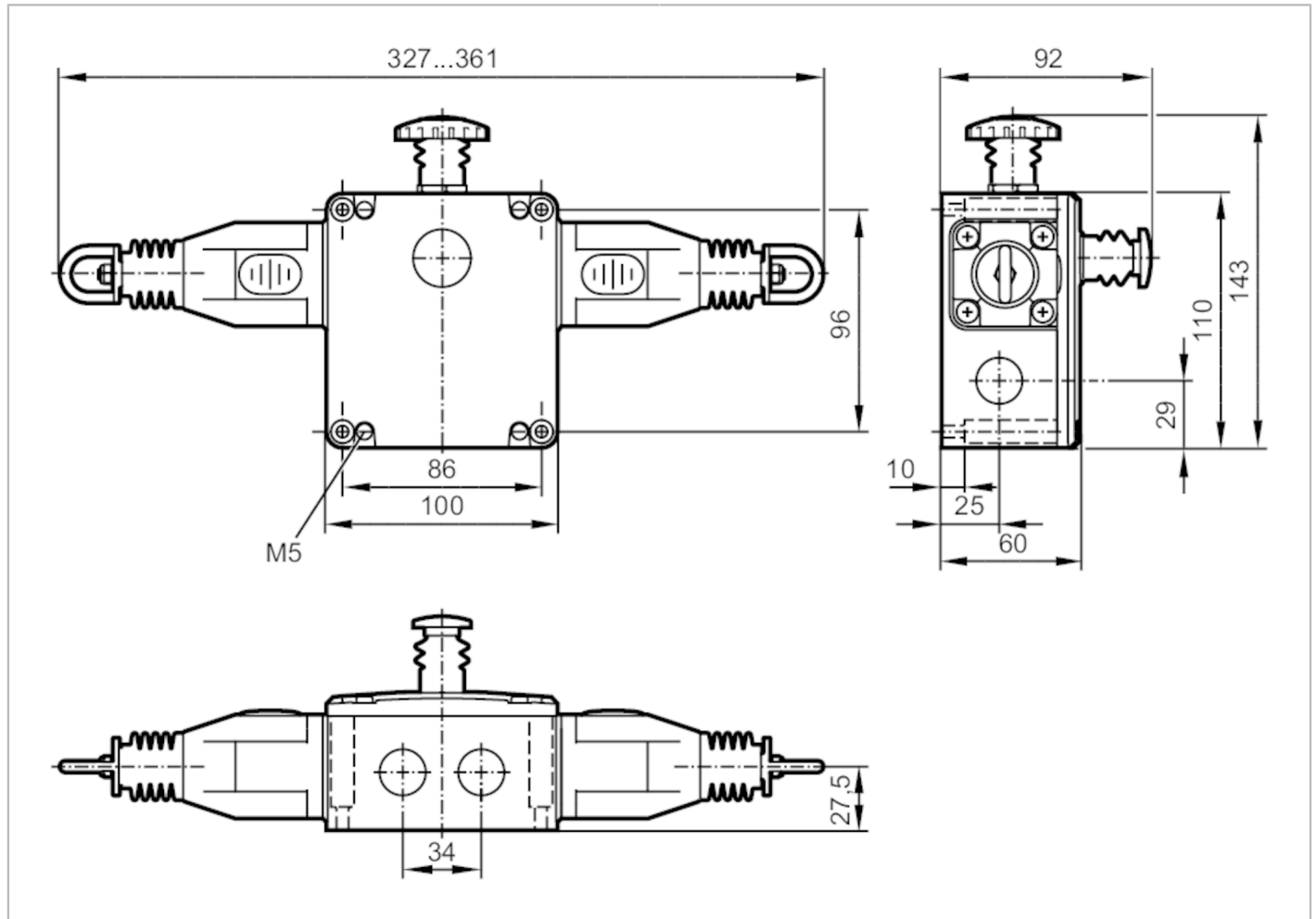


# ZB0050



## Safety rope emergency stop switch

Rope Switch DH



| Electrical data          |   |
|--------------------------|---|
| Operating voltage        | [V] 110...240 AC / 5...24 DC  |
| Rated insulation voltage | [V] 500   |
| Outputs                  |   |
| Electrical design        | snap-action contact; max. switching voltage: 240 V; switching capacity: 720 VA; thermal current: 10 A |
| Output function          | auxiliary contact 2 x normally open<br>safety contact 4 x NC  |
| Minimum load current     | [mA] 5; (5 V DC)  |
| Contact rating           | 3 A (240 V AC) / 6 A (120 V AC) / 2,5 A (24 V DC); (inductive load)                                   |
| Short-circuit protection | no  |
| Operating conditions     |   |
| Ambient temperature      | [°C] -25...80   |
| Protection               | IP 67   |
| Tests / approvals        |   |
| Shock resistance         | 15 g / 11 ms  |
| Vibration resistance     | 10-500 Hz   |

# ZB0050



## Safety rope emergency stop switch

Rope Switch DH

| Mechanical data             |   |
|-----------------------------|---|
| Weight [g]                  | 1498.5  |
| Material                    | housing: diecast aluminium yellow; switching contact: silver-plated                     |
| Information on service life | Switching cycles (mechanical): > 1.000.000  |
| Mounting orientation        | any   |
| Rope span                   | 125 m; (per side)   |
| Activation force [N]        | < 125; (tension force: 130 N)   |
| Electrical connection       |   |
| Required protection         | 10 A; fast acting   |
| Remarks                     |   |
| Remarks                     | For information about installation and operation please see the operating instructions. |
| Pack quantity               | 1 pcs.  |

| Electrical connection             |
|-----------------------------------|
| terminals: ...2.5 mm <sup>2</sup> |
| Connection                        |

