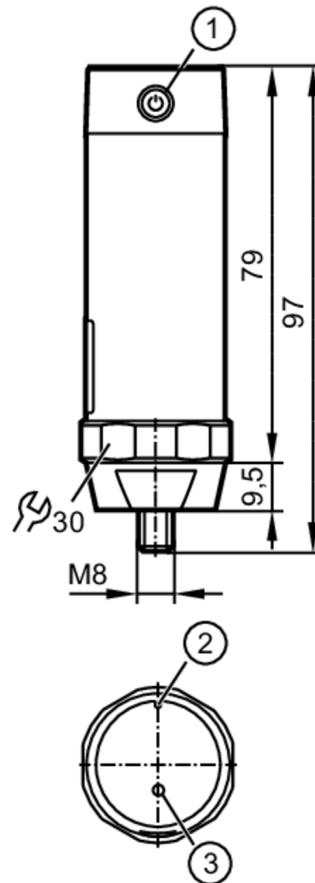




Wireless vibration sensor

VIBRATION SENSOR WIRELESS



- 1 mains switch
- 2 notch for orientation
- 3 Status LED



Product characteristics

Measuring range of vibration [g]	-16...16
Measuring range of vibration [mm/s]	0...25
Frequency range [Hz]	10...1000

Application

Application	Vibration sensor to ISO 10816
Radio approval for	USA; Canada; EU/RED; Australia; Brazil
Note on radio approval	The list of countries applying the European Radio Equipment Directive 2014/53/EU (RED) can be found under "Downloads".

Electrical data

Operating voltage [V]	3.6 DC; (lithium thionyl chloride battery; battery life: > 4 years battery cannot be replaced)
Protection class	III
Type of sensor	Microelectromechanical system (MEMS)

Measuring/setting range

Measuring range of vibration [g]	-16...16
Measuring range of vibration [mm/s]	0...25
Frequency range [Hz]	10...1000

VWV001



Wireless vibration sensor

VIBRATION SENSOR WIRELESS

Number of measurement axes		1
Temperature measurement		
Measuring range	[°C]	-30...80
Resolution	[°C]	0.1
Accuracy / deviations		
Accuracy		≤ 10 %
Linearity deviation		≤ 10 %
Software / programming		
Parameter setting options		MQTT
Interfaces		
Frequency band		2,4 GHz ISM
Range		< 25 m
Safety standard		AES-128
Protocol		proprietary
Operating conditions		
Ambient temperature	[°C]	-30...80
Note on ambient temperature		-20...55 °C recommended temperature for maximum battery life
Storage temperature	[°C]	-30...80
Protection		IP 68
Tests / approvals		
EMC	DIN EN 61000-6-2	
	DIN EN 301489-1	
	DIN EN 301489-17	
Mechanical data		
Weight	[g]	177.1
Type of mounting		set screw; (M8)
Material		housing: stainless steel (1.4404 / 316L); polyethylene
Tightening torque	[Nm]	8
Accessories		
Items supplied		Mounting adapter
Remarks		
Pack quantity		1 pcs.